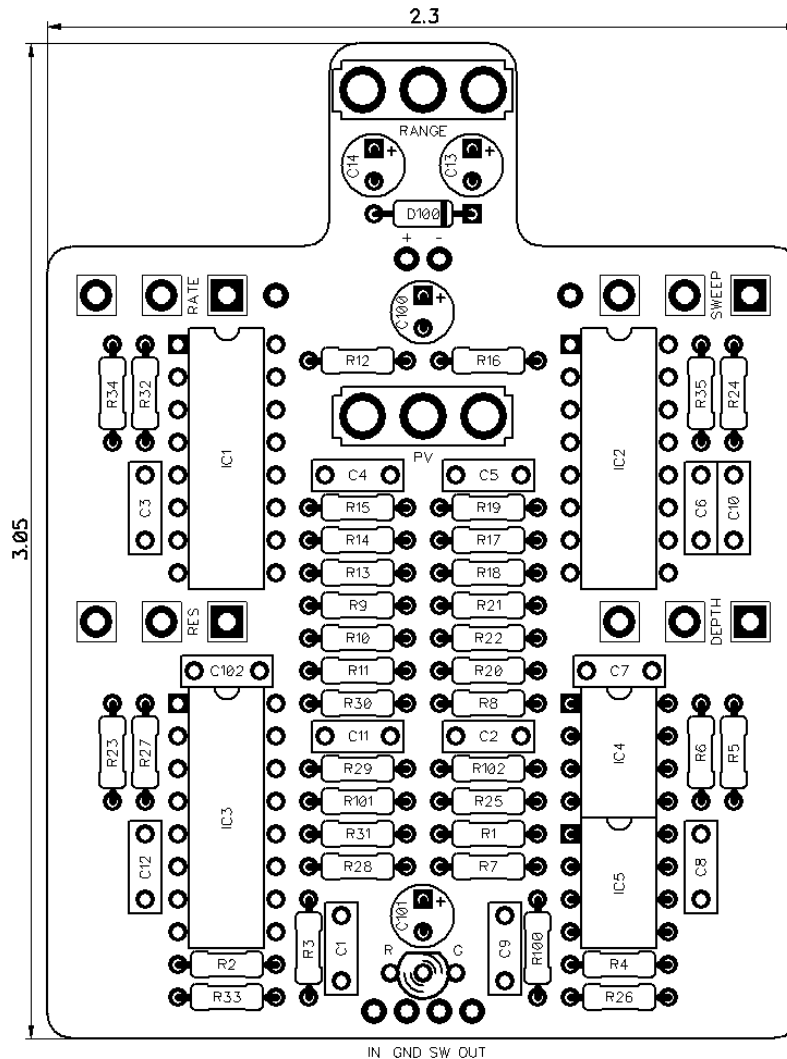




PedalPCB

Circulator Phaser

Revision 08.31.19



Controls

- Rate
- Sweep
- Resonance
- Depth
- Range (Toggle switch)
- Phase/Vibrato (Toggle switch)

All trademarks and registered trademarks are the property of their respective owners. The company, product, and service names used in this web site are for identification purposes only. Use of these names, logos, and brands does not imply endorsement.

Circulator Phaser

Parts List

RESISTORS (1/4W)

R1 10K
R2 1M
R3 1M
R4 10K
R5 10K
R6 10K
R7 27K
R8 1K2
R9 10K
R10 27K
R11 27K
R12 1K2
R13 10K
R14 27K
R15 27K
R16 1K2
R17 10K
R18 27K
R19 27K
R20 1K2
R21 10K
R22 27K
R23 27k
R24 8K2
R25 470R
R26 100K
R27 27K
R28 220K
R29 100K
R30 150K
R31 10K
R32 4K7
R33 4K7
R34 4K7
R35 470K
R100 4K7
R101 56K
R102 56K

CAPACITORS

C1 100n
C2 1u
C3 2n2
C4 2n2
C5 2n2
C6 2n2
C7 1u
C8 100p
C9 1u
C10 1u
C11 1u
C12 47n
C13 1u
C14 4u7
C100 100u
C101 10u
C102 100n

INTEGRATED CIRCUITS

IC1 LM13700
IC2 LM13700
IC3 LM13700
IC4 TL072
IC5 TL072

DIODES

D2 2-color Common **Anode**
D100 1N5817

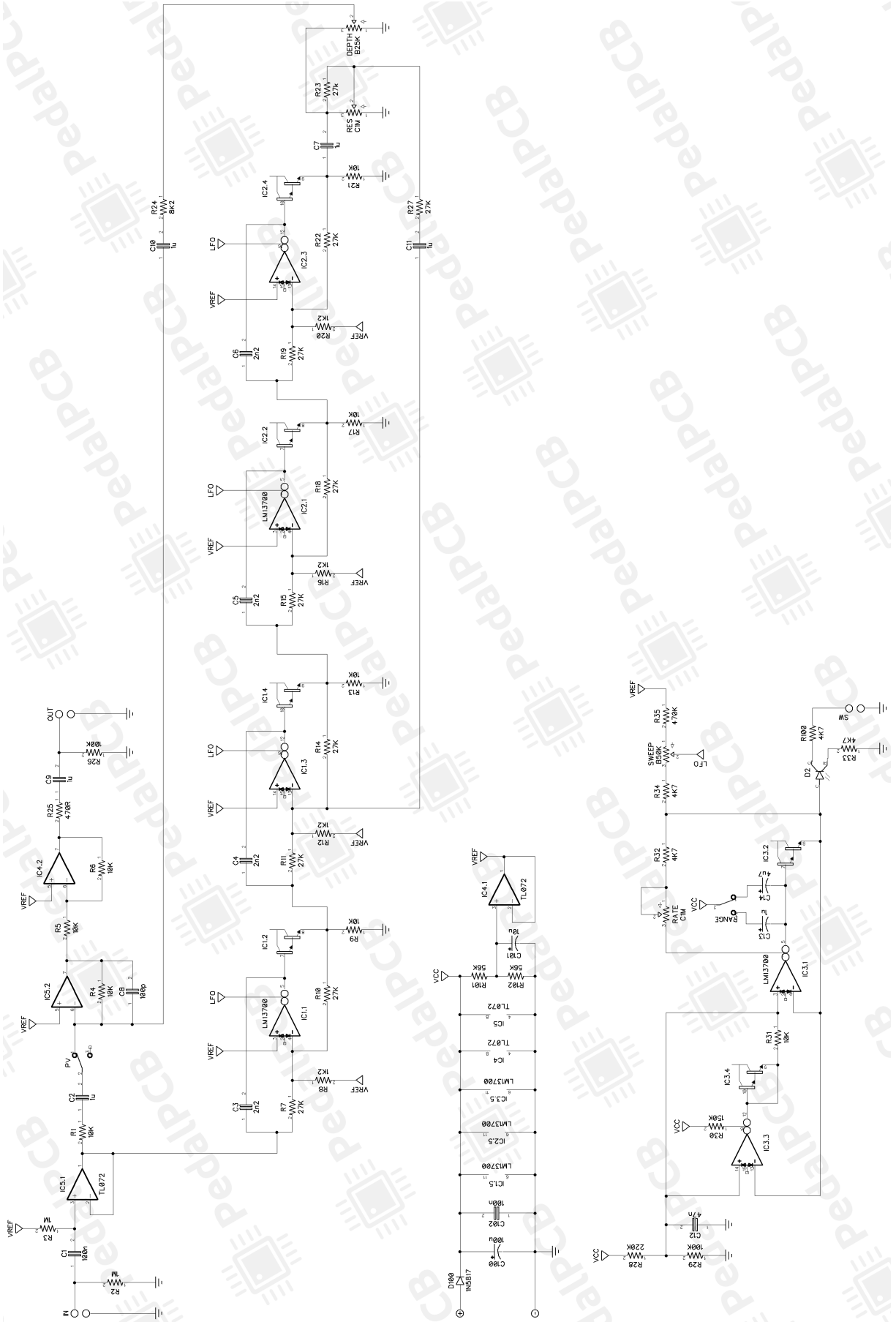
POTENTIOMETERS

DEPTH B25K
RATE C1M
RES C1M
SWEEP B50K

TOGGLE SWITCHES

PV SPDT (On/On)
RANGE SPDT (On/Off/On)

Circulator Phaser



Circulator Phaser

Wiring Diagram



Circulator Phaser

Drill Template
125B enclosure with top mounted jacks

