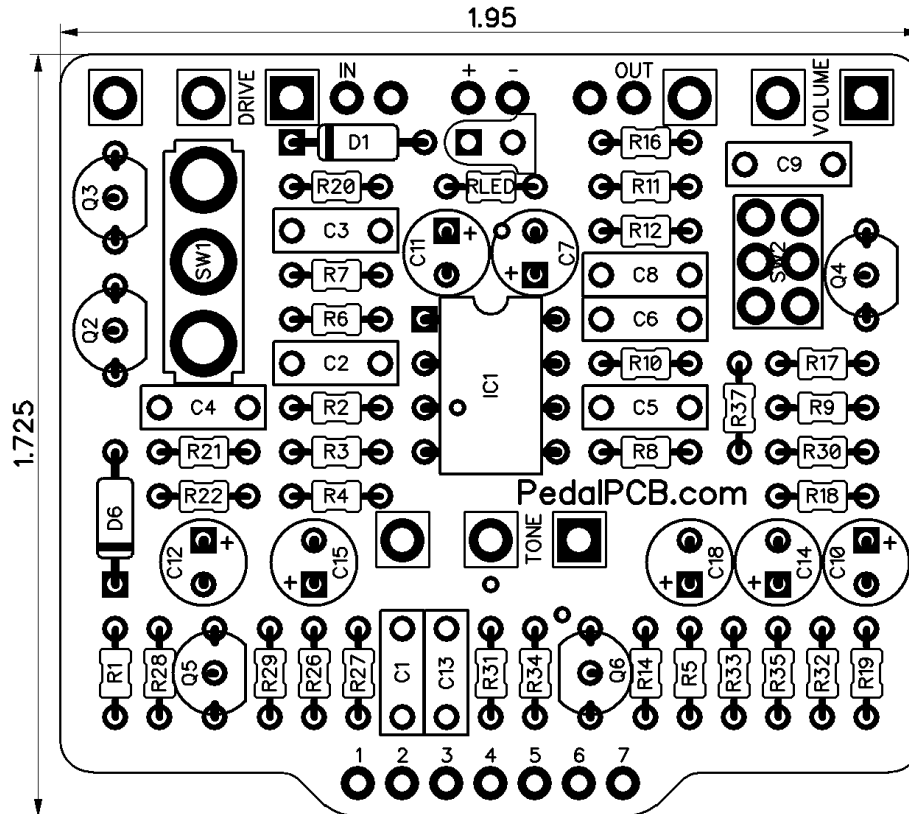


# ADHD

Revision 11.04.17



## Resistors

R1	1M	R20	27
R2	10K	R21	10K
R3	1M	R22	10K
R4	3K3	R26	10K
R5	100	R27	10K
R6	18K	R28	1K
R7	10K	R29	27K
R8	10K	R30	10K
R9	39K	R31	1M
R10	150K	R32	10K
R11	22K	R33	10K
R12	33K	R34	1K
R14	1K	R35	27K
R16	510K	R37	47K
R17	10K	RLED	4K7
R18	100		
R19	47K		

## Capacitors

C1	22nF
C2	100nF
C3	220pF
C4	1nF
C5	100nF
C6	220pF
C7	1uF
C8	22nF
C9	100nF
C10	1uF
C11	220uF
C12	220uF
C13	22nF
C14	10uF
C15	10uF
C18	1uF

## Semiconductors

IC1	TL082
Q2	2N7000
Q3	2N7000
Q4	2SC1815
Q5	2N5457
Q6	2N5457
D1	1N5817
D6	1N4739

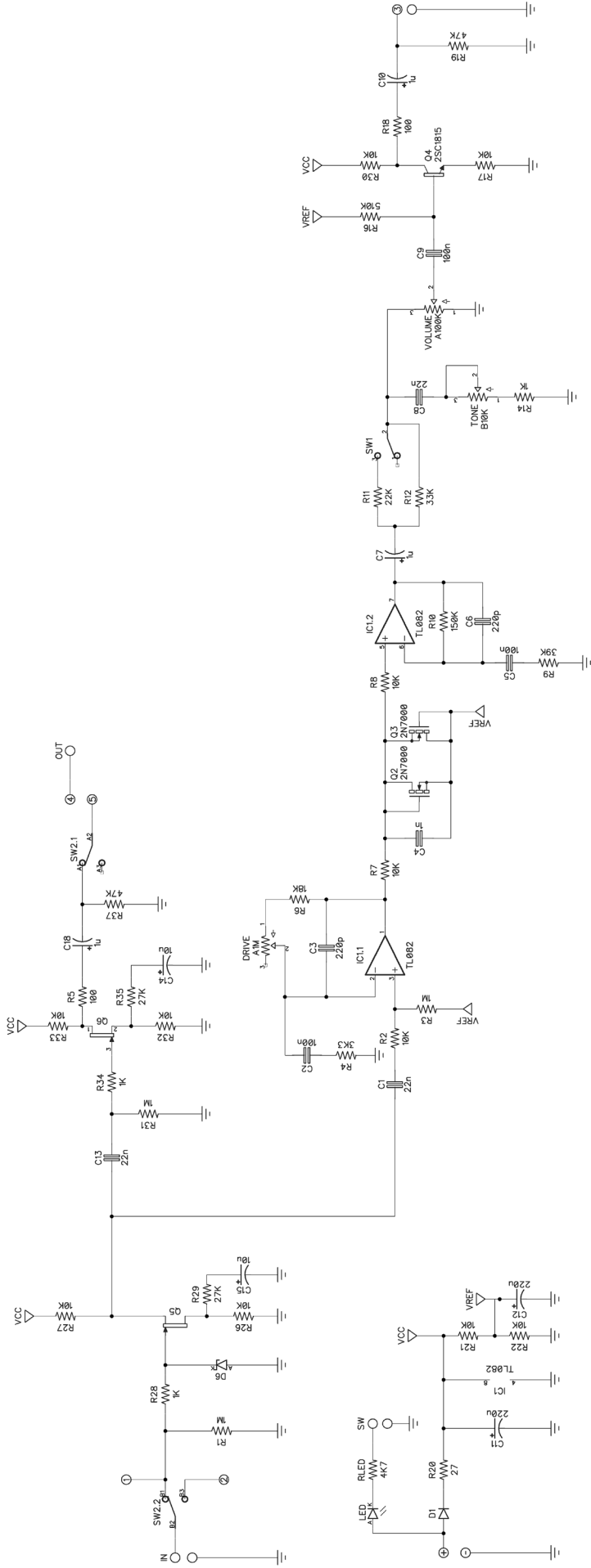
## Potentiometers

VOLUME	A100K
TONE	B10K
DRIVE	A1M

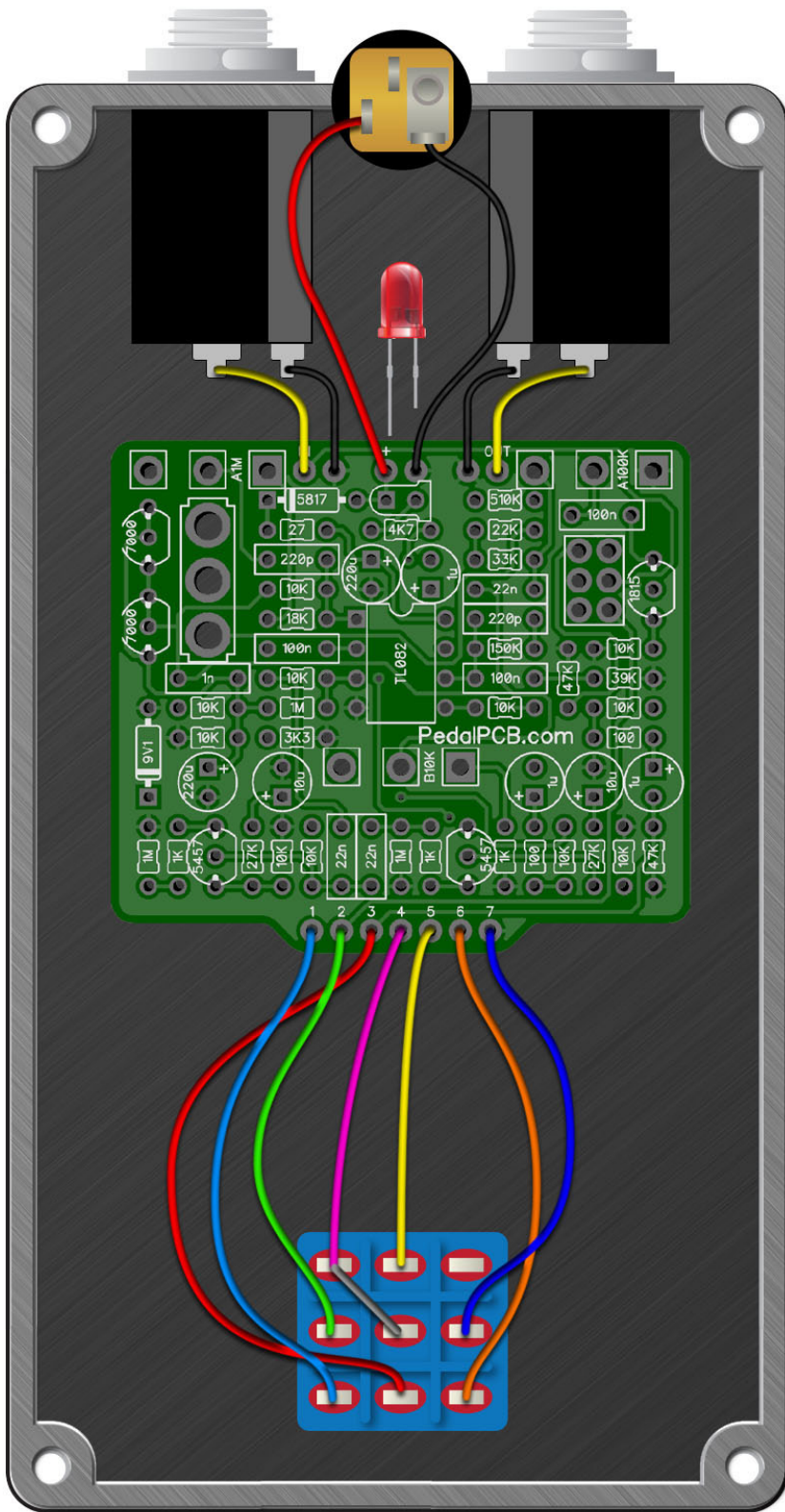
## Switches

SW1 (HP/LP)	SPDT Toggle
-------------	-------------

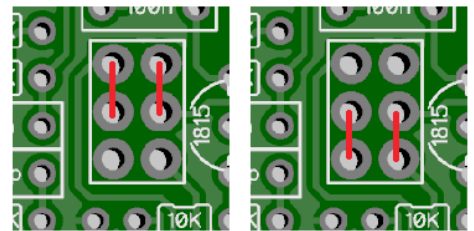
# ADHD



# Wiring Diagram



Bypass Mode Wiring



Enhanced

True-Bypass

# Drill Template

4S125B enclosure with top mounted jacks

