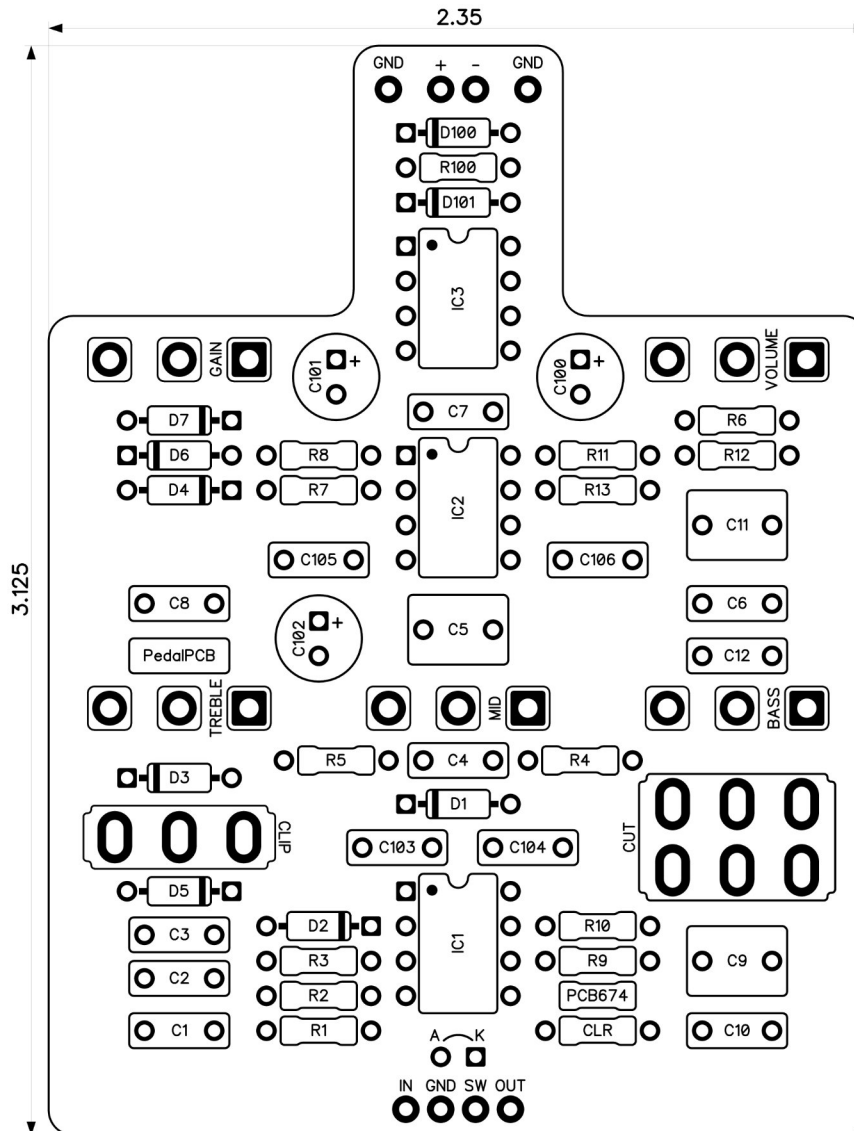


# PedalPCB

## Zorkmid Overdrive

Revised 3/16/25



### CONTROLS AND FEATURES

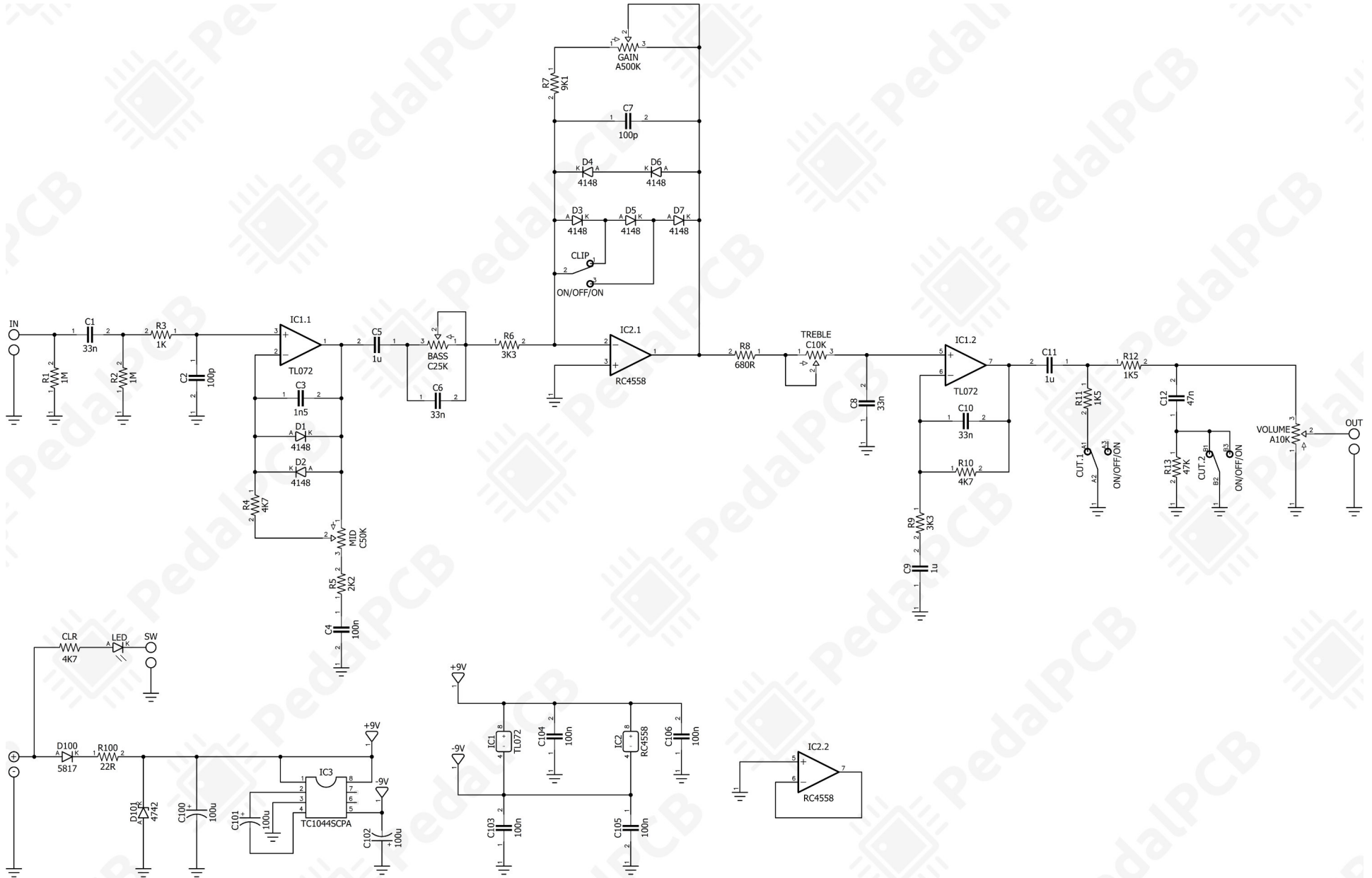
- Volume
- Gain
- Bass
- Mid
- Treble
- Cut (Toggle switch)
- Clip (Toggle switch)

All trademarks and registered trademarks are the property of their respective owners. The company, product, and service names used in this web site are for identification purposes only. Use of these names, logos, and brands does not imply endorsement.

LOCATION	VALUE	TYPE	NOTES
R1	1M	Resistor, 1/4W	
R2	1M	Resistor, 1/4W	
R3	1K	Resistor, 1/4W	
R4	4K7	Resistor, 1/4W	
R5	2K2	Resistor, 1/4W	
R6	3K3	Resistor, 1/4W	
R7	9K1	Resistor, 1/4W	
R8	680R	Resistor, 1/4W	
R9	3K3	Resistor, 1/4W	
R10	4K7	Resistor, 1/4W	
R11	1K5	Resistor, 1/4W	
R12	1K5	Resistor, 1/4W	
R13	47K	Resistor, 1/4W	
R100	22R	Resistor, 1/4W	
CLR	4K7	Resistor, 1/4W	* LED current limiting resistor
C1	33n	Film capacitor, 7.2 x 2.5mm	
C2	100p	Ceramic capacitor	
C3	1n5	Film capacitor, 7.2 x 2.5mm	
C4	100n	Film capacitor, 7.2 x 2.5mm	
C5	1u	Film capacitor, 7.2 x 5.0mm	
C6	33n	Film capacitor, 7.2 x 2.5mm	
C7	100p	Ceramic capacitor	
C8	33n	Film capacitor, 7.2 x 2.5mm	
C9	1u	Film capacitor, 7.2 x 5.0mm	
C10	33n	Film capacitor, 7.2 x 2.5mm	
C11	1u	Film capacitor, 7.2 x 5.0mm	
C12	47n	Film capacitor, 7.2 x 2.5mm	
C100	100u	Electrolytic capacitor, 5mm	
C101	100u	Electrolytic capacitor, 5mm	
C102	100u	Electrolytic capacitor, 5mm	
C103	100n	Film capacitor, 7.2 x 2.5mm	
C104	100n	Film capacitor, 7.2 x 2.5mm	
C105	100n	Film capacitor, 7.2 x 2.5mm	
C106	100n	Film capacitor, 7.2 x 2.5mm	
D1	1N4148	Signal diode, DO-35	
D2	1N4148	Signal diode, DO-35	
D3	1N4148	Signal diode, DO-35	
D4	1N4148	Signal diode, DO-35	
D5	1N4148	Signal diode, DO-35	
D6	1N4148	Signal diode, DO-35	
D7	1N4148	Signal diode, DO-35	
D100	1N5817	Schottky diode, DO-41	
D101	1N4742	Zener diode 1W, 12V	
IC1	TL072	Dual op-amp, DIP8	
IC2	RC4558	Dual op-amp, DIP8	
IC3	TC1044SCPA	Charge pump IC, DIP8	
VOLUME	A10K	16mm right-angle PCB mount pot	
GAIN	A500K	16mm right-angle PCB mount pot	
TREBLE	C10K	16mm right-angle PCB mount pot	
MID	C50K	16mm right-angle PCB mount pot	
BASS	C25K	16mm right-angle PCB mount pot	
CUT	ON/OFF/ON	Toggle switch, DPDT	3-position (ON/OFF/ON)
CLIP	ON/OFF/ON	Toggle switch, SPDT	3-position (ON/OFF/ON)

# Zorkmid Overdrive

Schematic Diagram



# Zorkmid Overdrive

Wiring Diagram



# Zorkmid Overdrive

Drill Template  
125B Enclosure

