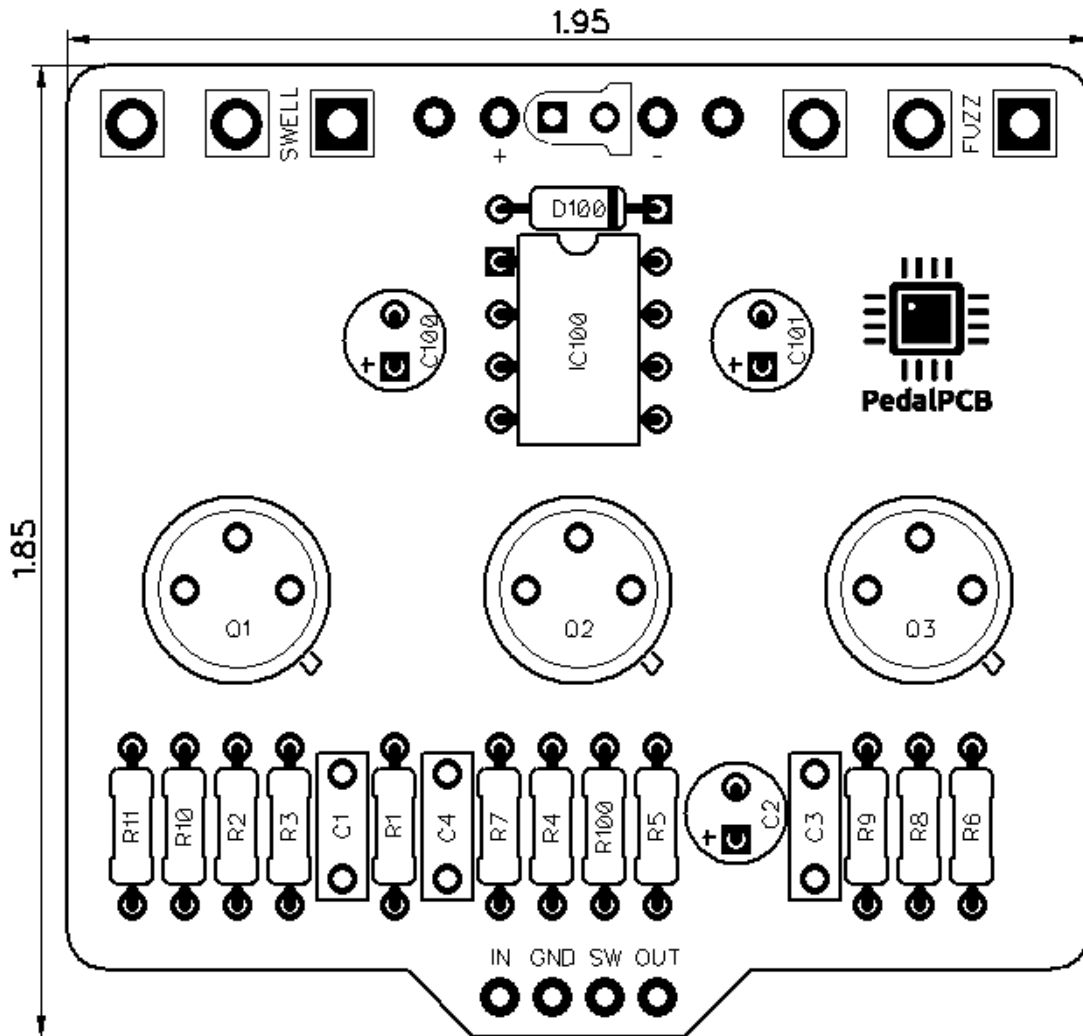


PedalPCB

Zonkbox

Revision 07.02.18



Controls

- **Fuzz** - Controls the amount of fuzz
- **Swell** - Controls the overall output volume

RESISTORS

R1 1M
R2 1M
R3 4K7
R4 470K
R5 2K2
R6 3K3
R7 3K3
R8 15K
R9 10K
R10 56K
R11 2M2
R100 4K7

CAPACITORS

C1 1n
C2 22u
C3 100n
C4 47n
C100 10u
C101 22u

TRANSISTORS

Q1 A02650
Q2 OC75
Q3 OC44

INTEGRATED CIRCUITS

IC100 TC1044SCPA

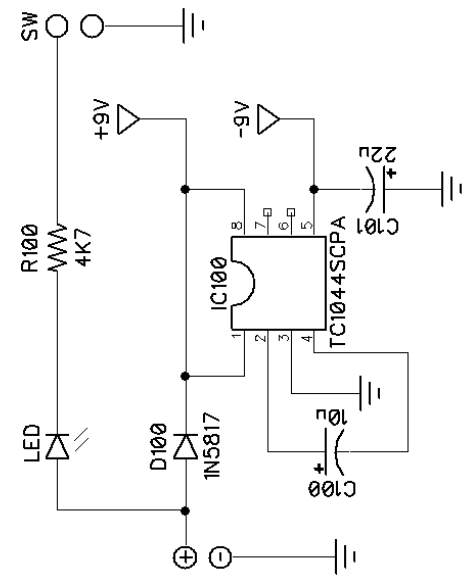
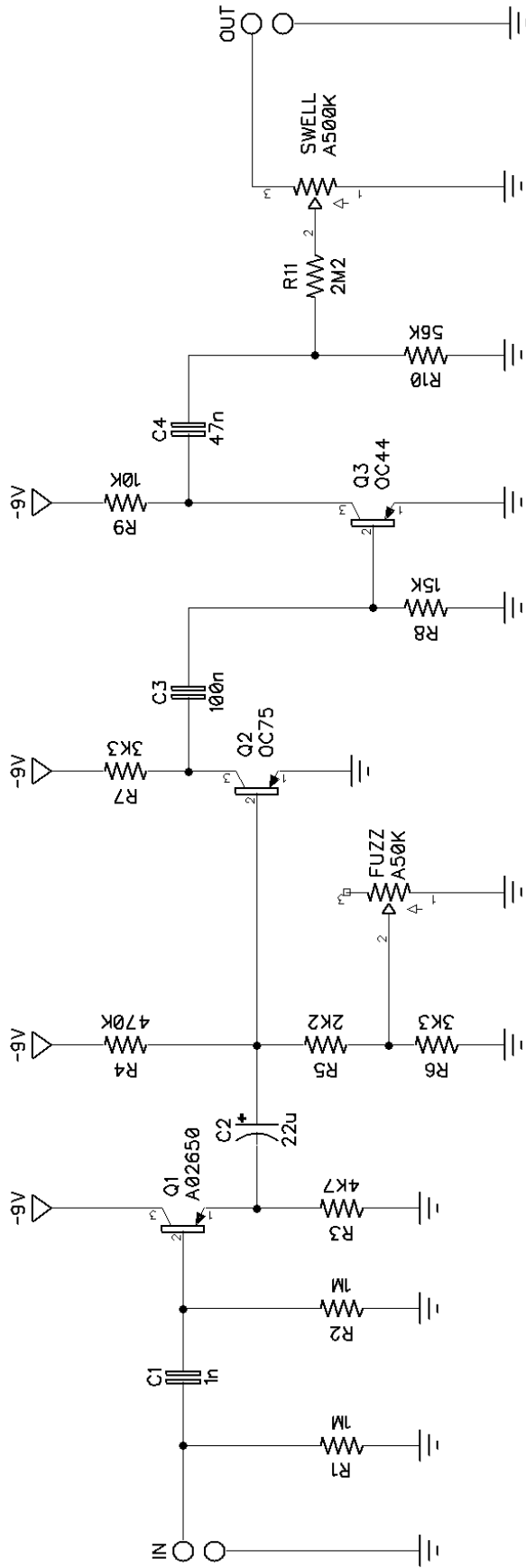
DIODES

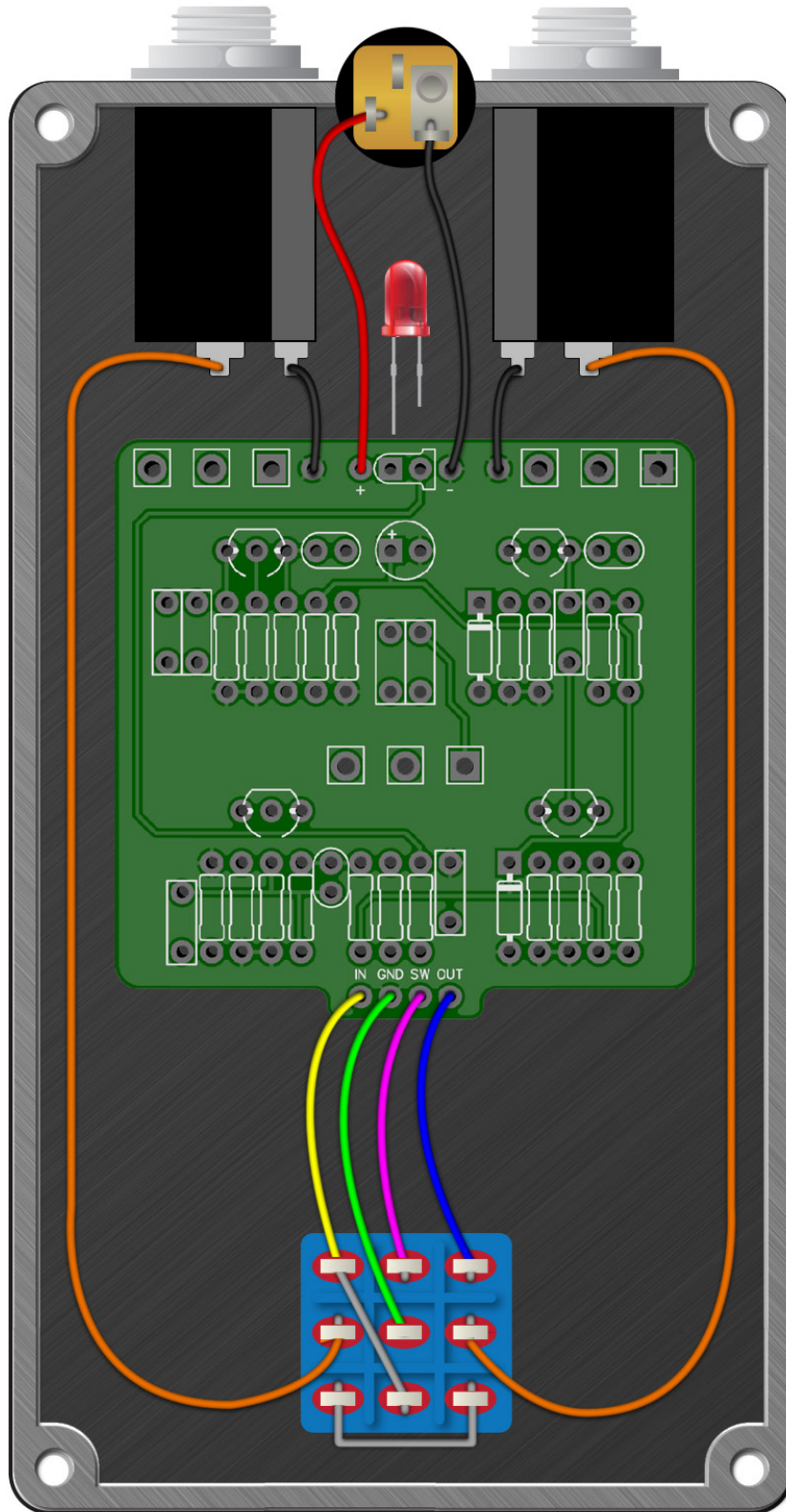
D100 1N5817

POTENTIOMETERS

FUZZ A50K
SWELL A500K

PedalPCB
Zonkbox





Zonkbox

Drill Template
125B enclosure with top mounted jacks

