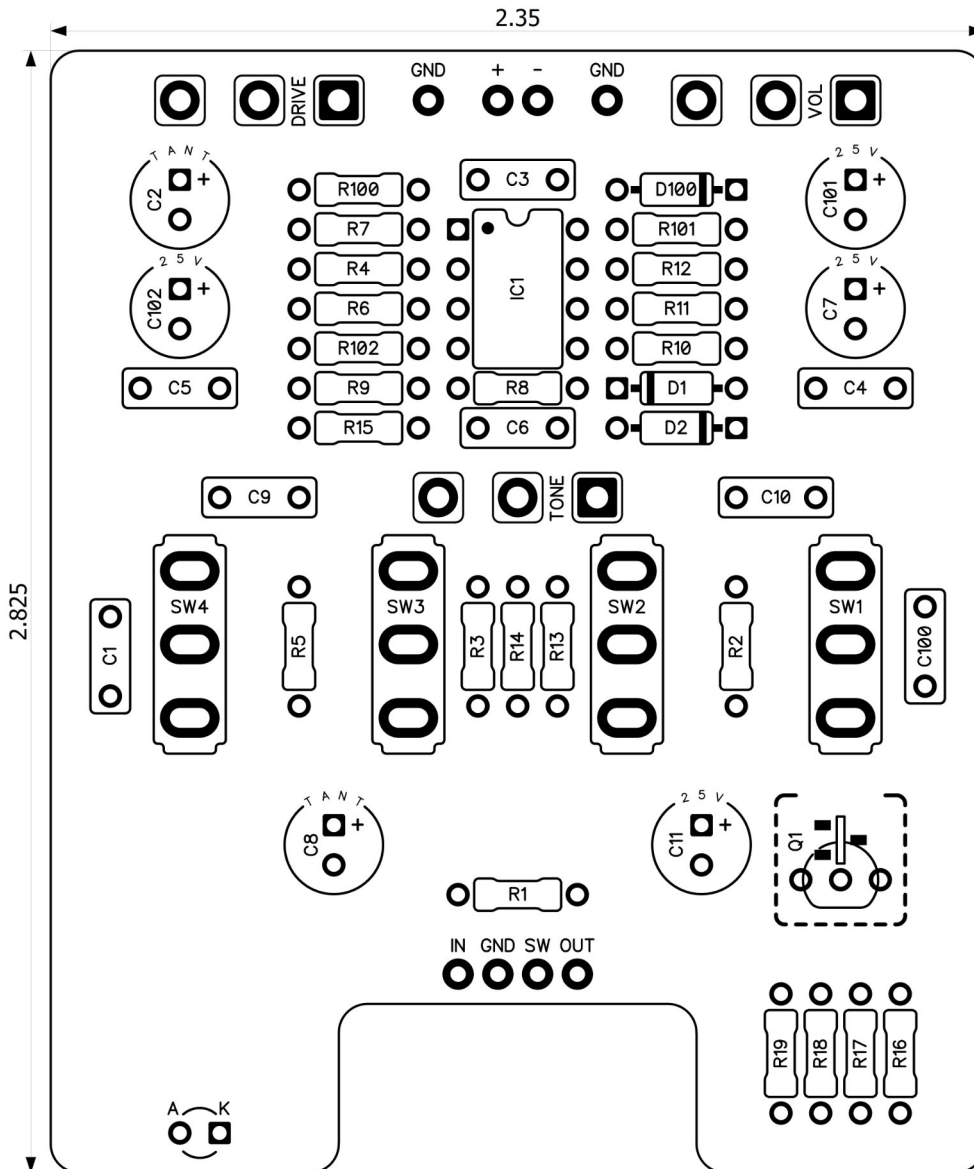




XS Drive

Revised 12/19/23

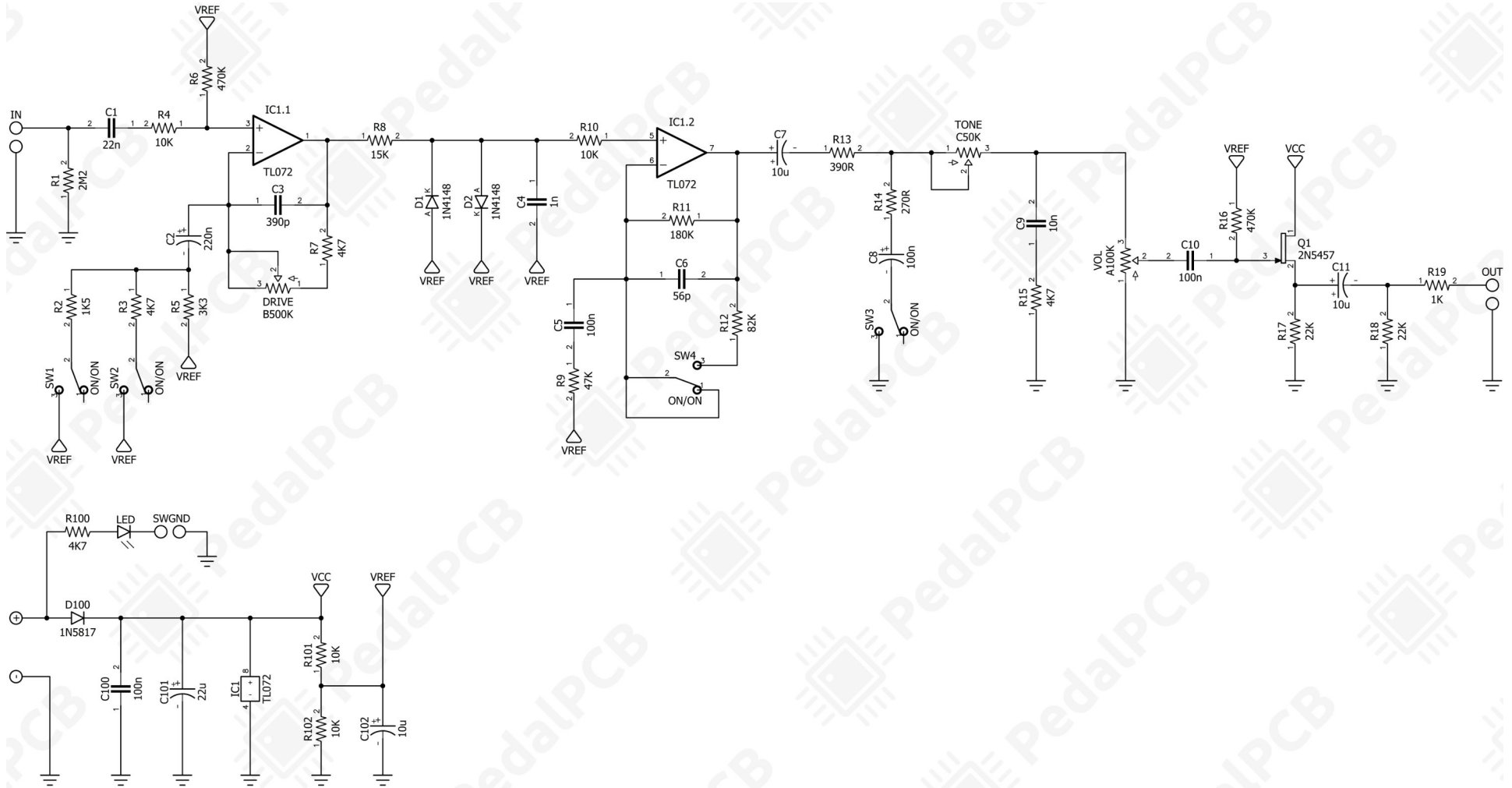


CONTROLS AND FEATURES

- Volume
- Drive
- Tone
- SW1 - SW4

All trademarks and registered trademarks are the property of their respective owners. The company, product, and service names used in this web site are for identification purposes only. Use of these names, logos, and brands does not imply endorsement.

| LOCATION | VALUE | TYPE | NOTES |
|----------|--------|--------------------------------|---------------------------------|
| R1 | 2M2 | Resistor, 1/4W | |
| R2 | 1K5 | Resistor, 1/4W | |
| R3 | 4K7 | Resistor, 1/4W | |
| R4 | 10K | Resistor, 1/4W | |
| R5 | 3K3 | Resistor, 1/4W | |
| R6 | 470K | Resistor, 1/4W | |
| R7 | 4K7 | Resistor, 1/4W | |
| R8 | 15K | Resistor, 1/4W | |
| R9 | 47K | Resistor, 1/4W | |
| R10 | 10K | Resistor, 1/4W | |
| R11 | 180K | Resistor, 1/4W | |
| R12 | 82K | Resistor, 1/4W | |
| R13 | 390R | Resistor, 1/4W | |
| R14 | 270R | Resistor, 1/4W | |
| R15 | 4K7 | Resistor, 1/4W | |
| R16 | 470K | Resistor, 1/4W | |
| R17 | 22K | Resistor, 1/4W | |
| R18 | 22K | Resistor, 1/4W | |
| R19 | 1K | Resistor, 1/4W | |
| R100 | 4K7 | Resistor, 1/4W | * LED current limiting resistor |
| R101 | 10K | Resistor, 1/4W | |
| R102 | 10K | Resistor, 1/4W | |
| | | | |
| C1 | 22n | Film capacitor, 7.2 x 2.5mm | |
| C2 | 220n | Tantalum capacitor, 2.5mm LS | |
| C3 | 390p | Ceramic capacitor | |
| C4 | 1n | Film capacitor, 7.2 x 2.5mm | |
| C5 | 100n | Film capacitor, 7.2 x 2.5mm | |
| C6 | 56p | Ceramic capacitor | |
| C7 | 10u | Electrolytic capacitor, 5mm | |
| C8 | 100n | Tantalum capacitor, 2.5mm LS | |
| C9 | 10n | Film capacitor, 7.2 x 2.5mm | |
| C10 | 100n | Film capacitor, 7.2 x 2.5mm | |
| C11 | 10u | Electrolytic capacitor, 5mm | |
| C100 | 100n | Film capacitor, 7.2 x 2.5mm | |
| C101 | 22u | Electrolytic capacitor, 5mm | |
| C102 | 10u | Electrolytic capacitor, 5mm | |
| | | | |
| D1 | 1N4148 | Signal diode, DO-35 | |
| D2 | 1N4148 | Signal diode, DO-35 | |
| D100 | 1N5817 | Schottky diode, DO-41 | |
| | | | |
| Q1 | 2N5457 | JFET transistor, N-channel | |
| | | | |
| IC1 | TL072 | Dual op-amp, DIP8 | |
| | | | |
| VOL | A100K | 16mm right-angle PCB mount pot | |
| TONE | C50K | 16mm right-angle PCB mount pot | |
| DRIVE | B500K | 16mm right-angle PCB mount pot | |
| | | | |
| SW1 | ON/ON | Toggle switch, SPDT | 2-position (ON/ON) |
| SW2 | ON/ON | Toggle switch, SPDT | 2-position (ON/ON) |
| SW3 | ON/ON | Toggle switch, SPDT | 2-position (ON/ON) |
| SW4 | ON/ON | Toggle switch, SPDT | 2-position (ON/ON) |





Drill Template 125B Enclosure

