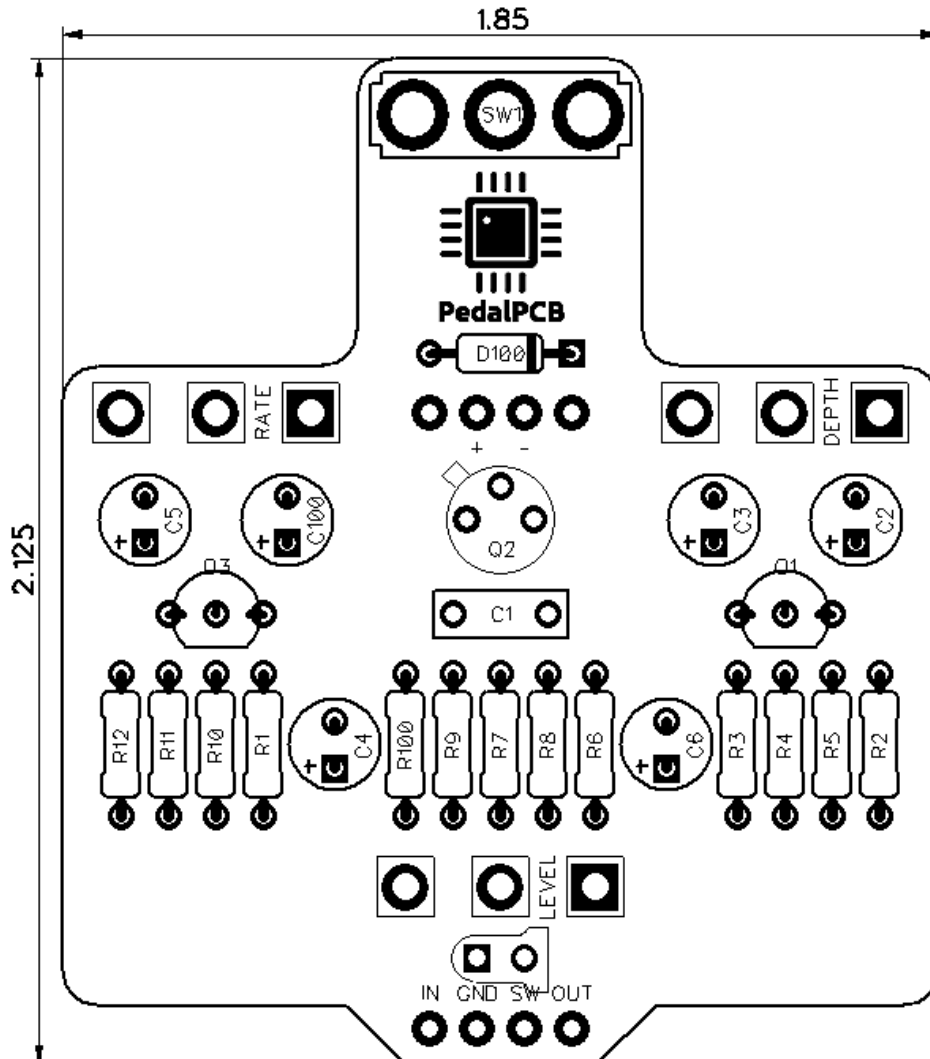




PedalPCB

Woodpecker Tremolo

Revision 07.02.18



Controls

- **Level** - Sets the overall output volume
- **Depth** - Controls the intensity of the tremolo effect
- **Rate** - Controls the rate of tremolo
- **Mode (toggle switch)** - Toggles between Hi and Lo speed modes

All trademarks and registered trademarks are the property of their respective owners. The company, product, and service names used in this web site are for identification purposes only. Use of these names, logos, and brands does not imply endorsement.

RESISTORS

R1 22K
R2 47K
R3 100K
R4 47K
R5 330K
R6 39R
R7 470R
R8 27K
R9 470R
R10 12K
R11 22K
R12 100R
R100 4K7

CAPACITORS

C1 22n
C2 4u7
C3 1u
C4 100u
C5 4u7
C6 2u2
C100 100u

TRANSISTORS

Q1 2N5089
Q2 2N2646
Q3 2N5457

DIODES

D100 1N5817

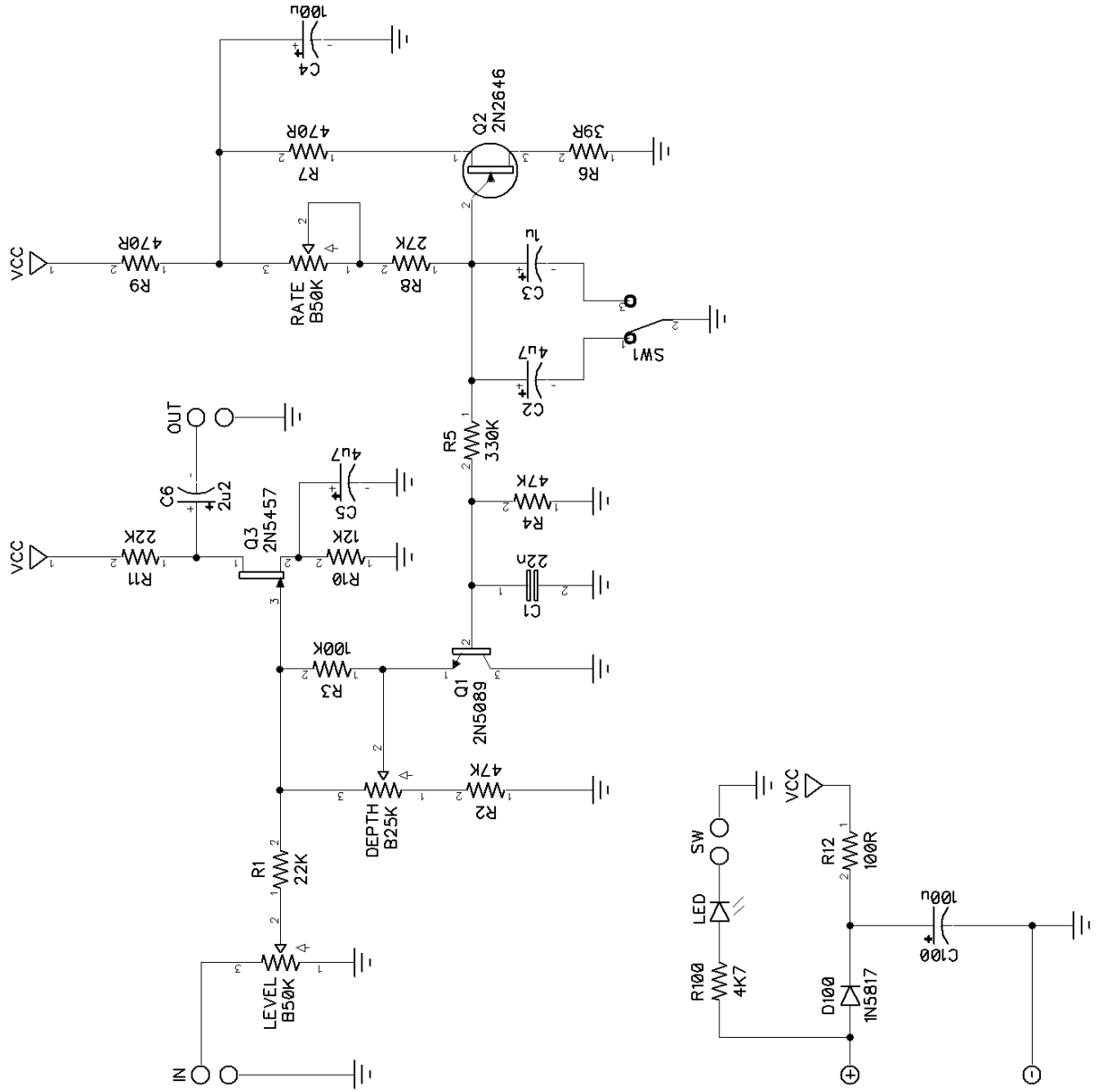
POTENTIOMETERS

DEPTH B25K
LEVEL B50K
RATE B50K

SWITCHES

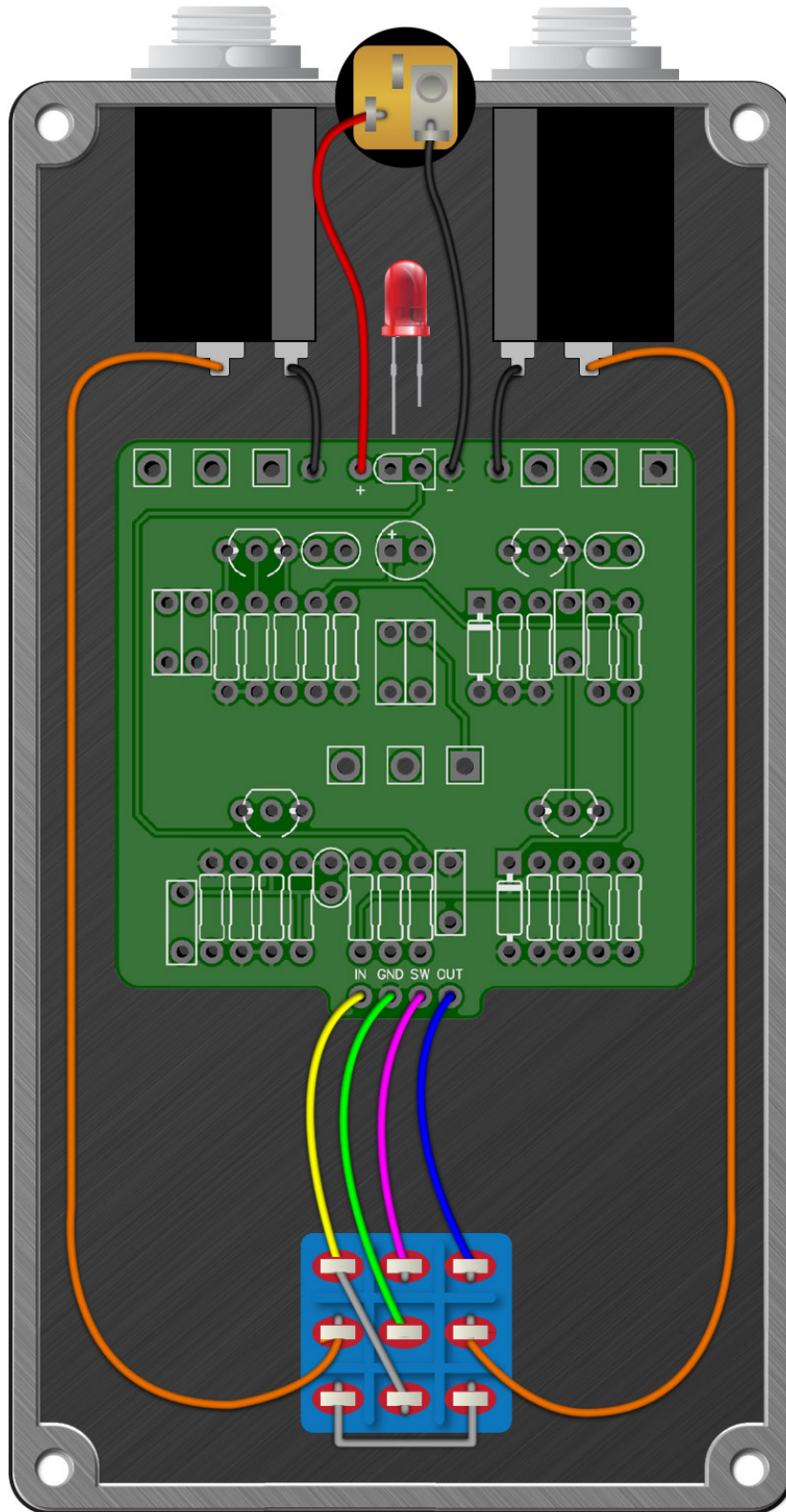
SW1 SPDT Toggle (On/On)

Woodpecker Tremolo



Woodpecker Tremolo

Wiring Diagram



Woodpecker Tremolo

Drill Template
125B enclosure with top mounted jacks

