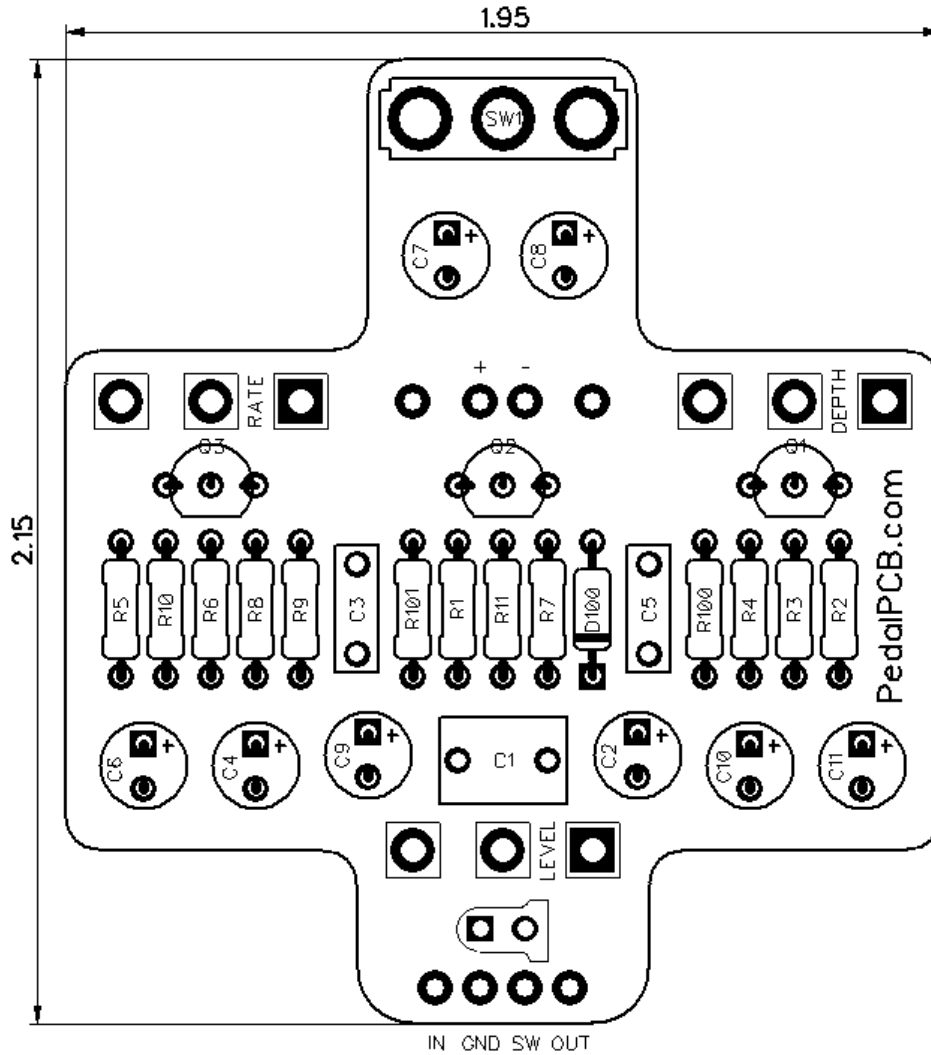


PedalPCB

Woodpecker Tremolo

Revision 05.03.19



Controls

- **Level** - Sets the overall output volume
- **Depth** - Controls the intensity of the tremolo effect
- **Rate** - Controls the rate of tremolo
- **Mode (toggle switch)** - Toggles between Hi and Lo speed modes

All trademarks and registered trademarks are the property of their respective owners. The company, product, and service names used in this web site are for identification purposes only. Use of these names, logos, and brands does not imply endorsement.

RESISTORS

R1 1M
R2 47K
R3 12K
R4 22K
R5 470R
R6 2K2
R7 220K
R8 2K2
R9 100R
R10 27K
R11 47K
R100 470R
R101 4K7

CAPACITORS

C1 1u FILM
C2 1u
C3 100n
C4 100u
C5 220n
C6 1u
C7 10u
C8 2u2
C9 2u2
C10 100u
C11 4u7

TRANSISTORS

Q1 PF5102
Q2 2N5089
Q3 2N6027

DIODES

D100 1N5817

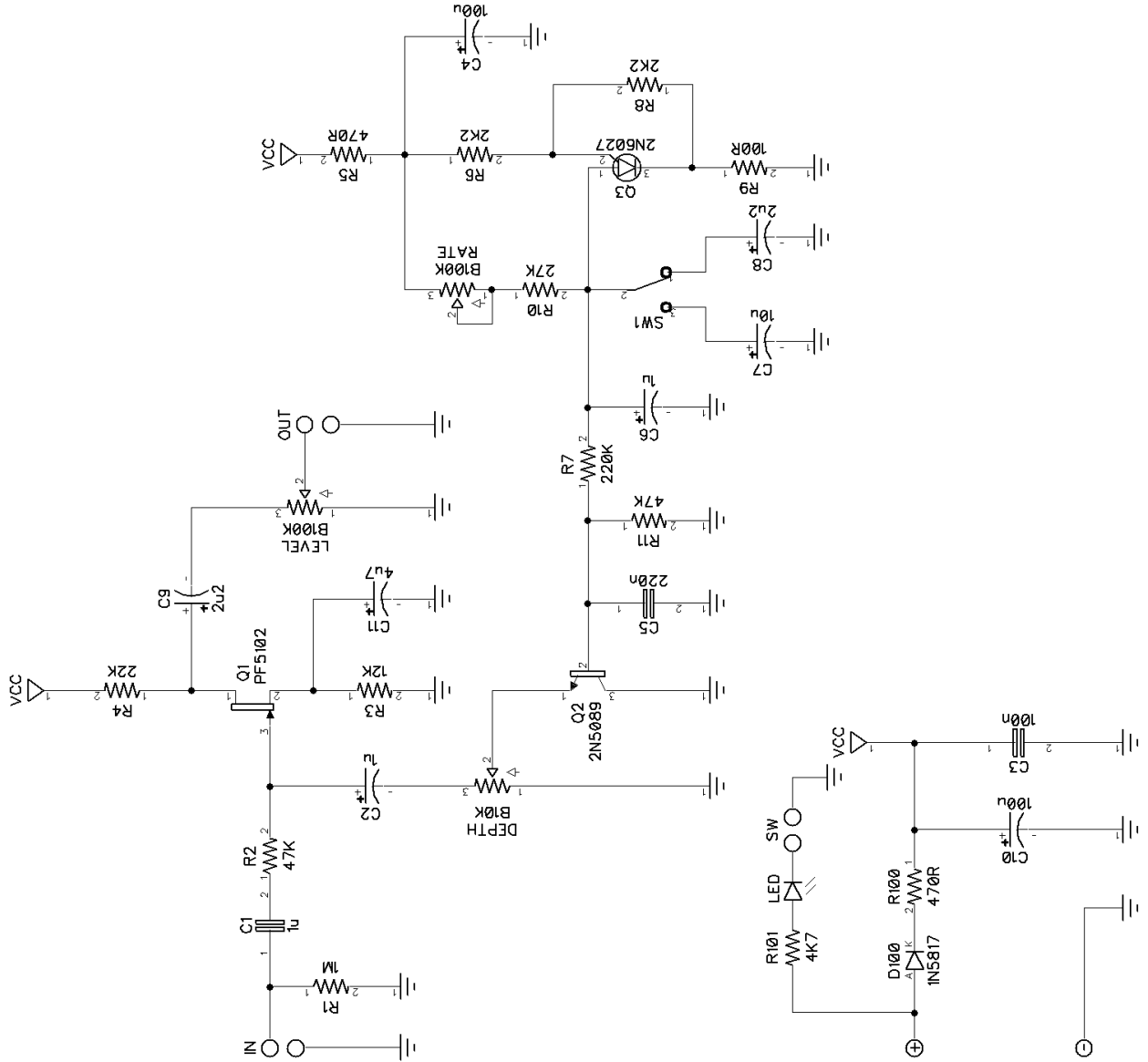
POTENTIOMETERS

DEPTH B10K
RATE B100K
LEVEL B100K

SWITCHES

SW1 SPDT Toggle (On/OFF/On)

Woodpecker Tremolo



Woodpecker Tremolo

Wiring Diagram



Woodpecker Tremolo

Drill Template

125B enclosure with top mounted jacks

