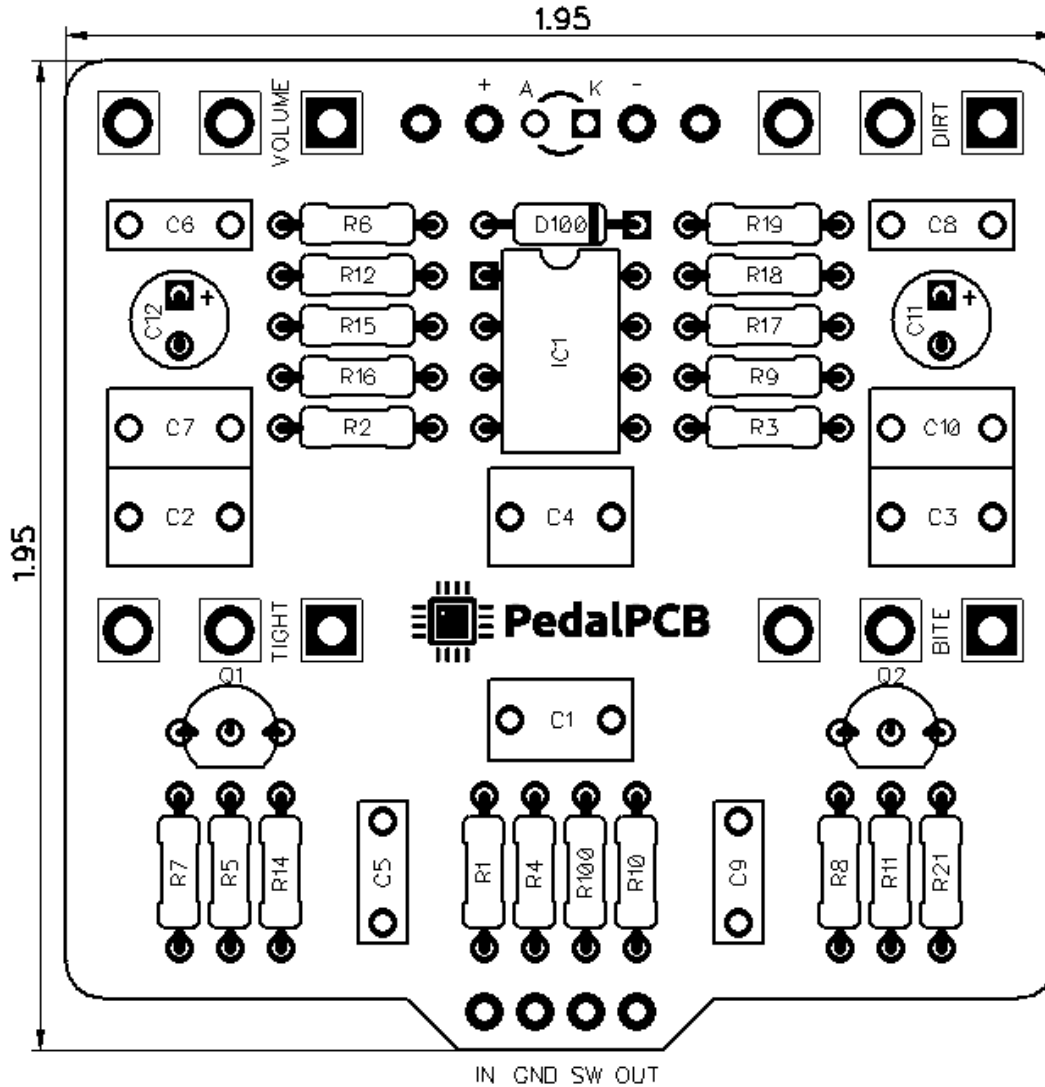




PedalPCB

Wonder Drive (rev2)

Revision 05.22.19



Controls

- Dirt
- Bite
- Tight
- Volume

All trademarks and registered trademarks are the property of their respective owners. The company, product, and service names used in this web site are for identification purposes only. Use of these names, logos, and brands does not imply endorsement.

RESISTORS (1/4W)

R1 1M
 R2 1K5
 R3 10K
 R4 2K2
 R5 1K
 R6 1K
 R7 10K
 R8 1K
 R9 10K
 R10 10K
 R11 510K
 R12 1K
 R14 510K
 R15 4K7
 R16 10K
 R17 10K
 R18 10K
 R19 10K
 R21 10K
 R100 4K7

CAPACITORS

C1 150n
 C2 1u FILM
 C3 1u FILM
 C4 1u FILM
 C5 47n
 C6 100n
 C7 220n
 C8 100n
 C9 150n
 C10 150n
 C11 100u
 C12 47u

INTEGRATED CIRCUITS

IC1 OPA2604AP

TRANSISTORS

Q1 2N5089
 Q2 2N5089

DIODES

D100 1N5817

POTENTIOMETERS

DIRT B100K
 BITE B5K
 TIGHT A50K
 VOLUME B100K

ALTERNATE VALUES (REVISION 1)
RESISTORS (1/4W)

R9 10K
 R15 4K7
 R19 10K

CAPACITORS

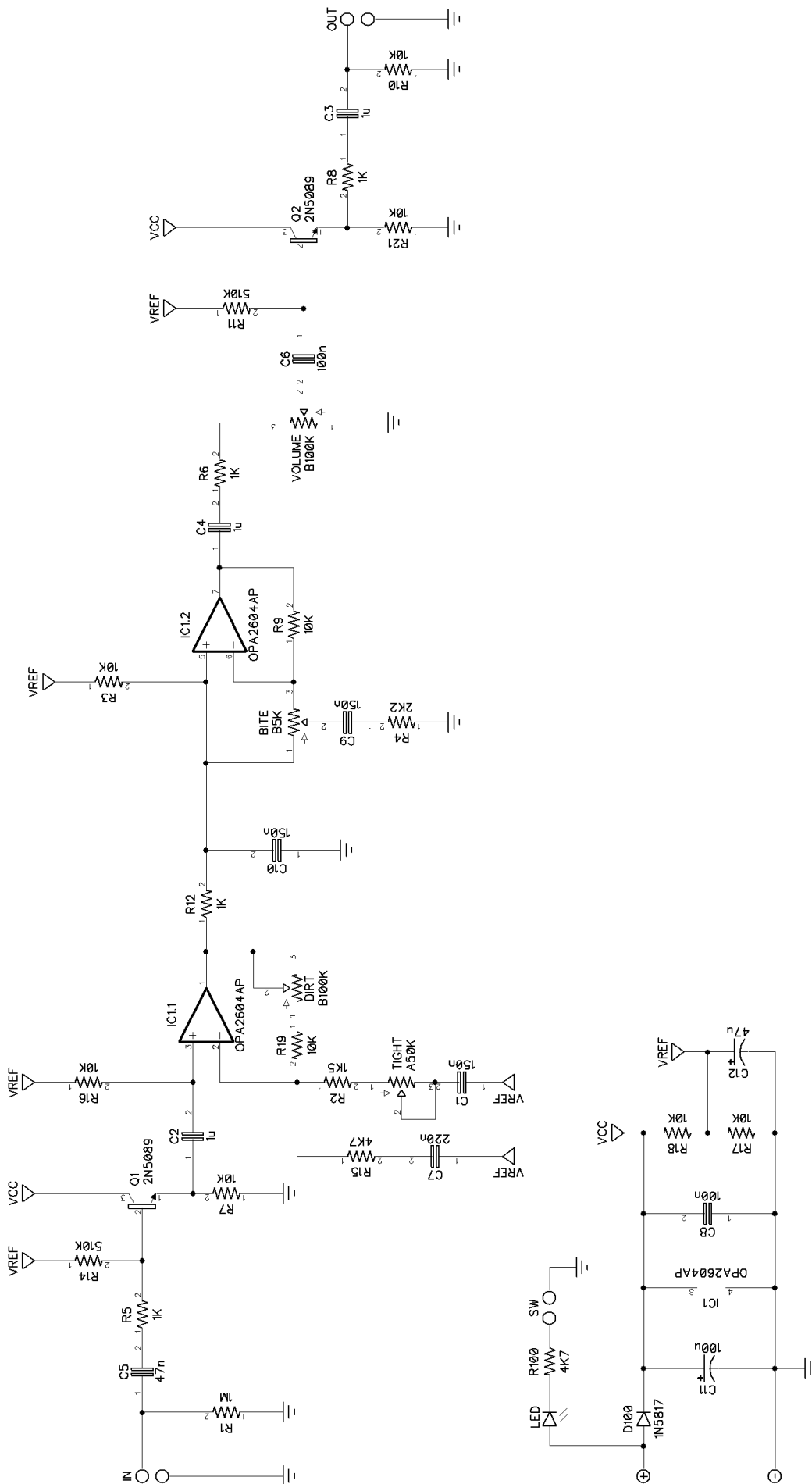
C1 150n
 C7 220n

POTENTIOMETERS

VOLUME B100K
 TIGHT A50K



Wonder Drive



Wonder Drive

Wiring Diagram



Wonder Drive

Drill Template
125B enclosure with top mounted jacks

