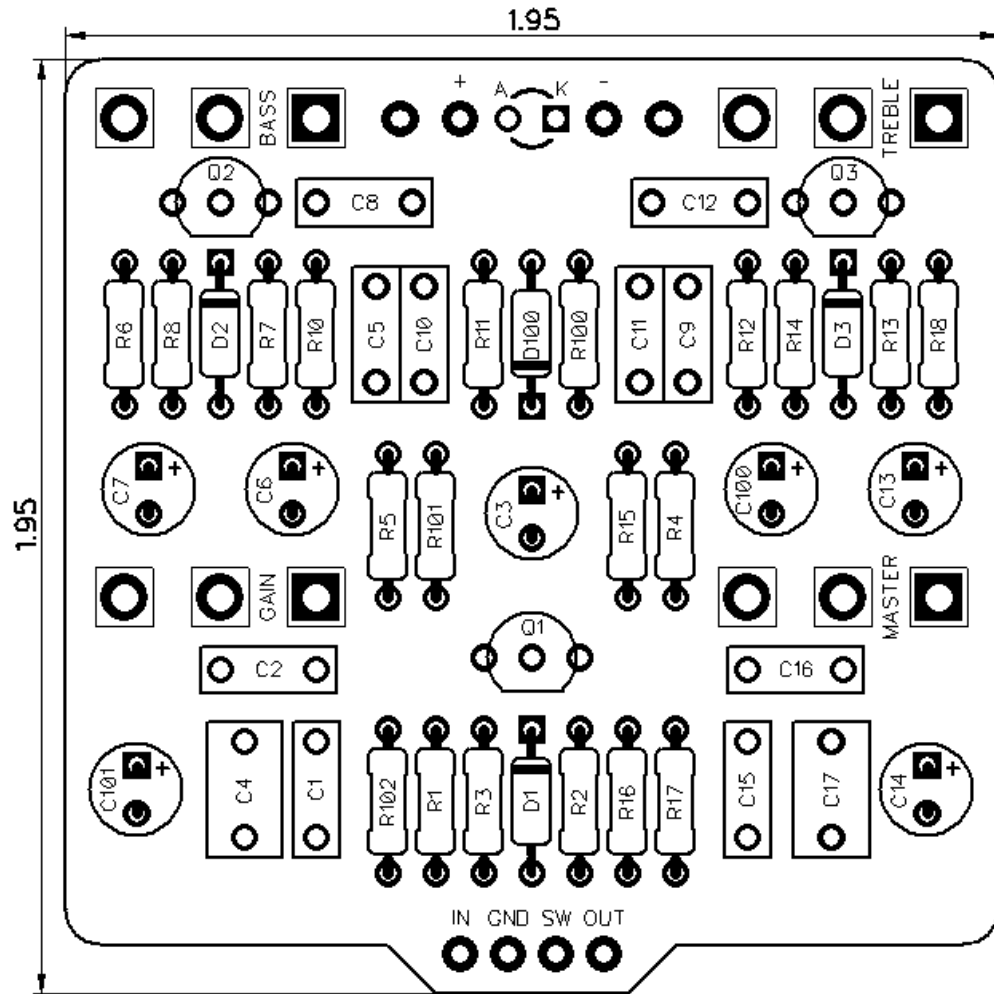


PedalPCB

Windmill Overdrive

Revised 8/19/20

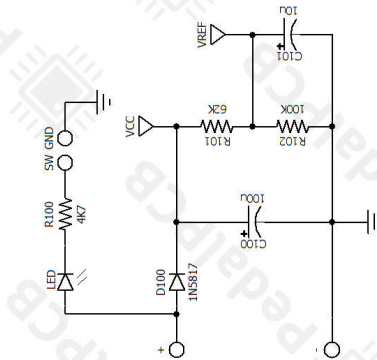
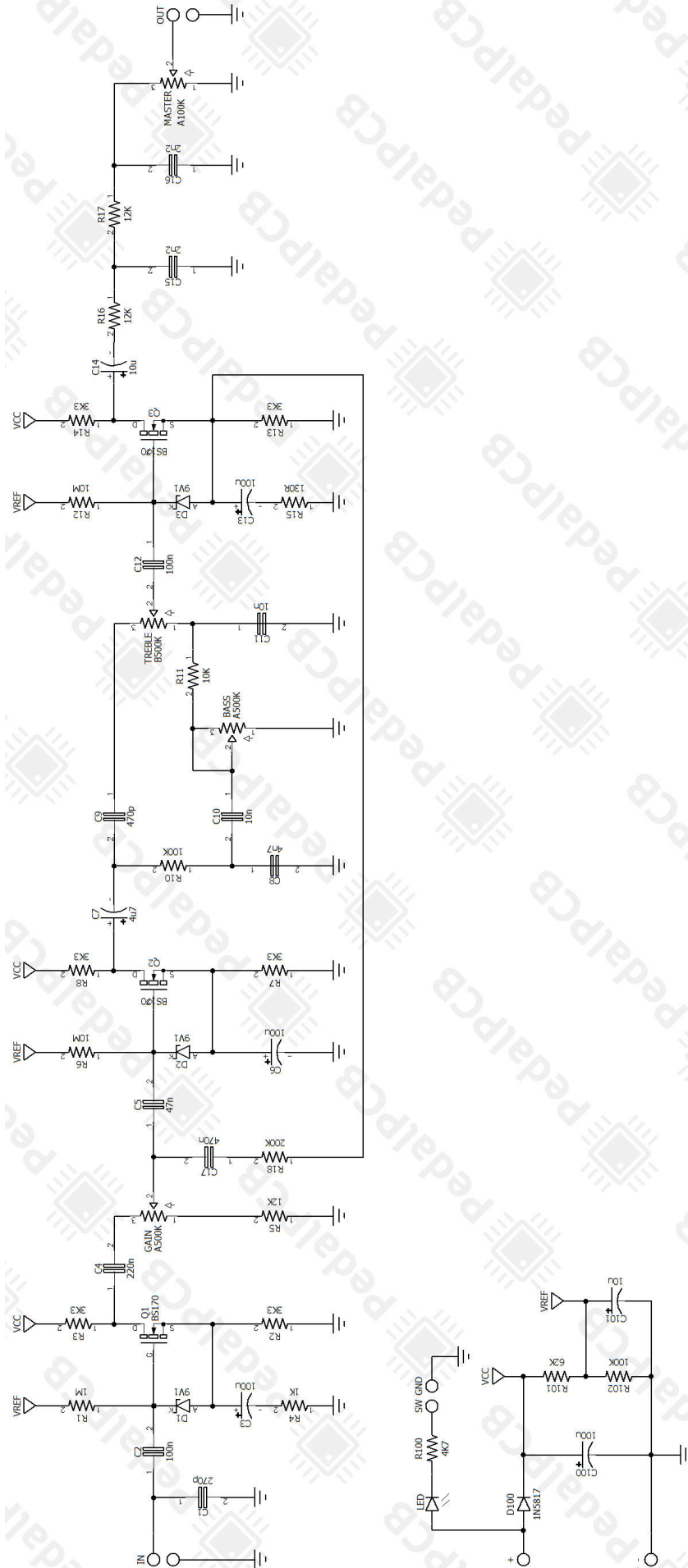
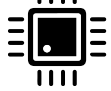


CONTROLS AND FEATURES

- Treble
- Bass
- Master
- Gain

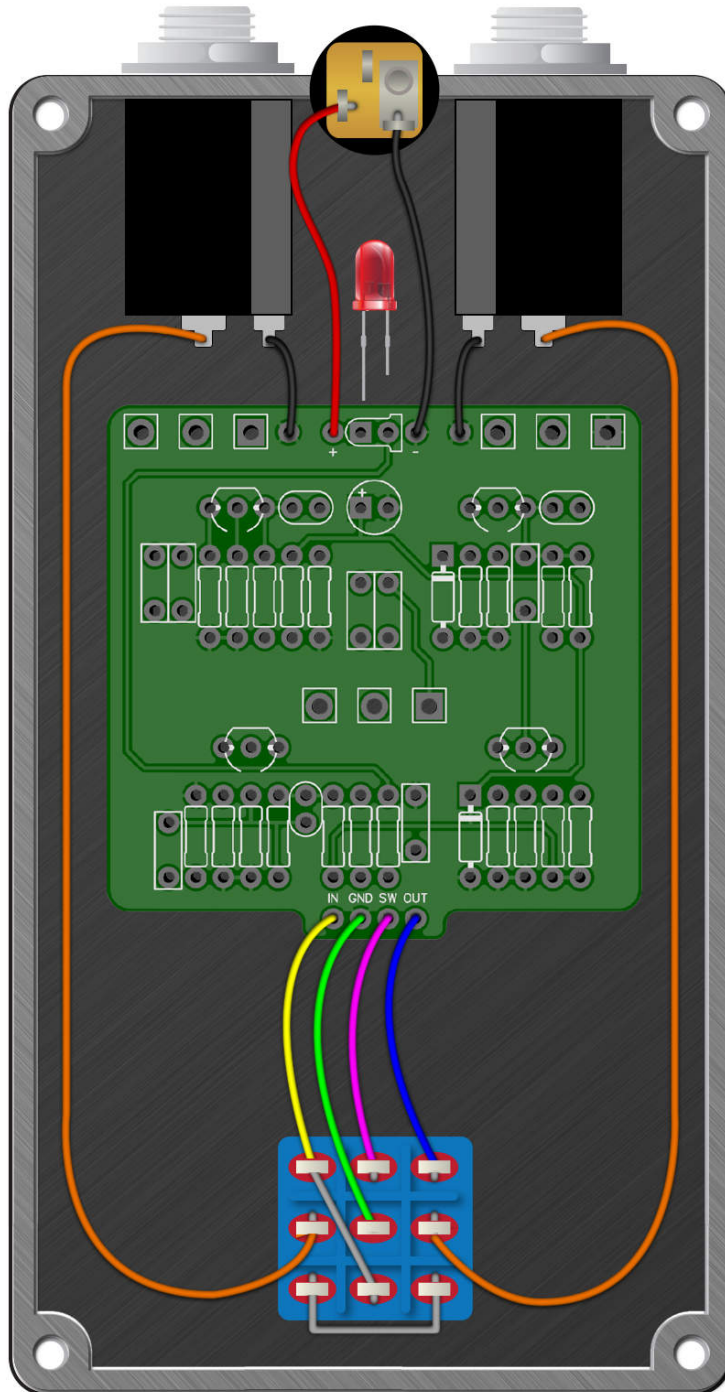
All trademarks and registered trademarks are the property of their respective owners. The company, product, and service names used in this web site are for identification purposes only. Use of these names, logos, and brands does not imply endorsement.

LOCATION	VALUE	TYPE	NOTES
R1	1M	Resistor, 1/4W	
R2	3K3	Resistor, 1/4W	
R3	3K3	Resistor, 1/4W	
R4	1K	Resistor, 1/4W	
R5	12K	Resistor, 1/4W	
R6	10M	Resistor, 1/4W	
R7	3K3	Resistor, 1/4W	
R8	3K3	Resistor, 1/4W	
R10	100K	Resistor, 1/4W	
R11	10K	Resistor, 1/4W	
R12	10M	Resistor, 1/4W	
R13	3K3	Resistor, 1/4W	
R14	3K3	Resistor, 1/4W	
R15	130R	Resistor, 1/4W	
R16	12K	Resistor, 1/4W	
R17	12K	Resistor, 1/4W	
R18	200K	Resistor, 1/4W	
R100	4K7	Resistor, 1/4W	
R101	62K	Resistor, 1/4W	
R102	100K	Resistor, 1/4W	
C1	270p	Ceramic capacitor	
C2	100n	Film capacitor, 7.2 x 2.5mm	
C3	100u	Electrolytic capacitor, 5mm	
C4	220n	Film capacitor, 7.2 x 5.0mm	
C5	47n	Film capacitor, 7.2 x 2.5mm	
C6	100u	Electrolytic capacitor, 5mm	
C7	4u7	Electrolytic capacitor, 5mm	
C8	4n7	Film capacitor, 7.2 x 2.5mm	
C9	470p	Ceramic capacitor	
C10	10n	Film capacitor, 7.2 x 2.5mm	
C11	10n	Film capacitor, 7.2 x 2.5mm	
C12	100n	Film capacitor, 7.2 x 2.5mm	
C13	100u	Electrolytic capacitor, 5mm	
C14	10u	Electrolytic capacitor, 5mm	
C15	2n2	Film capacitor, 7.2 x 2.5mm	
C16	2n2	Film capacitor, 7.2 x 2.5mm	
C17	470n	Film capacitor, 7.2 x 5.0mm	
C100	100u	Electrolytic capacitor, 5mm	
C101	10u	Electrolytic capacitor, 5mm	
D1	9V1	Zener diode, 9.1V	
D2	9V1	Zener diode, 9.1V	
D3	9V1	Zener diode, 9.1V	
D100	1N5817	Schottky diode, DO-41	



Windmill Overdrive

Wiring Diagram



Windmill Overdrive

Drill Template
125B enclosure

