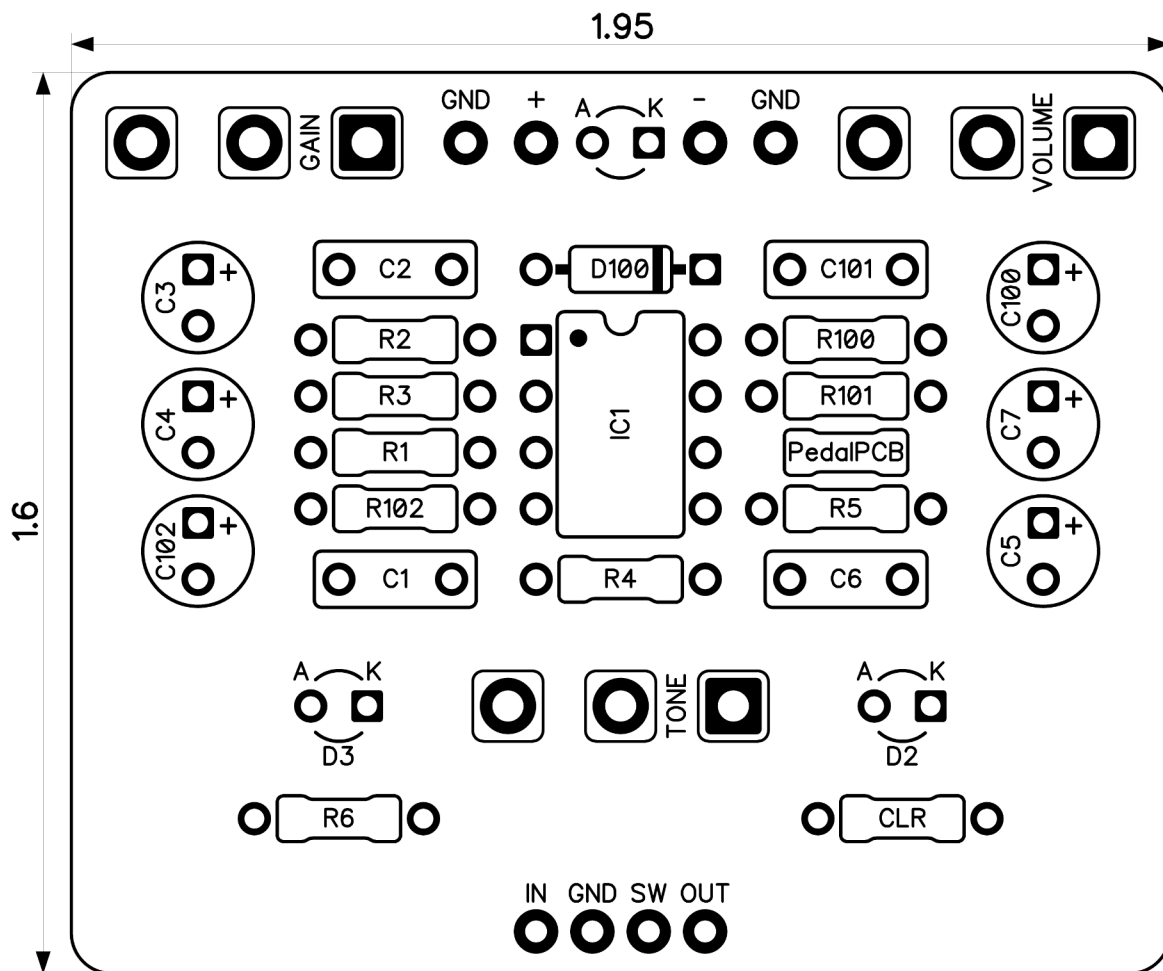


PedalPCB

White Washer Distortion

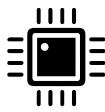
Revised 3/21/25



CONTROLS AND FEATURES

- Volume
- Tone
- Gain

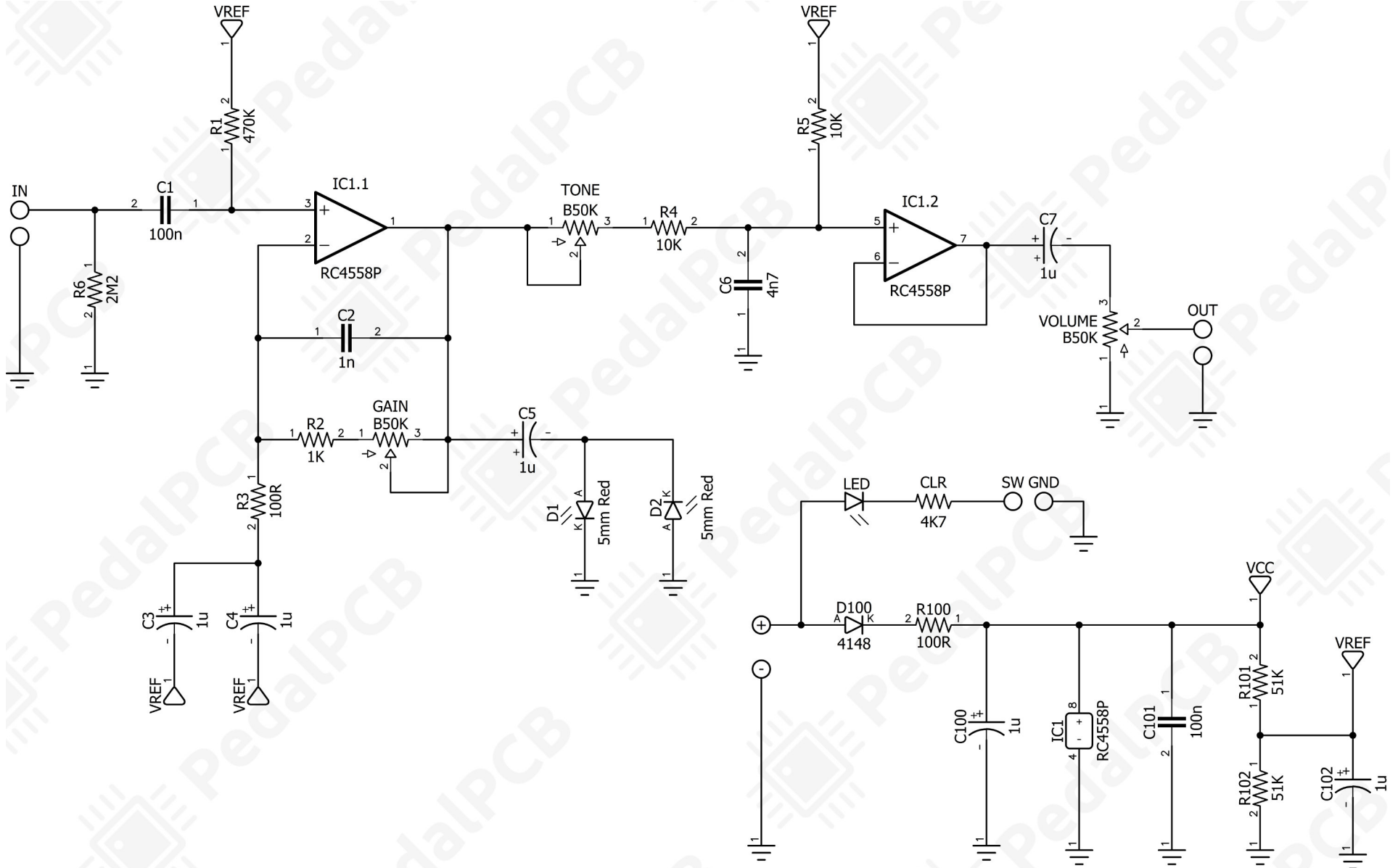
All trademarks and registered trademarks are the property of their respective owners. The company, product, and service names used in this web site are for identification purposes only. Use of these names, logos, and brands does not imply endorsement.



LOCATION	VALUE	TYPE	NOTES
R1	470K	Resistor, 1/4W	
R2	1K	Resistor, 1/4W	
R3	100R	Resistor, 1/4W	
R4	10K	Resistor, 1/4W	
R5	10K	Resistor, 1/4W	
R6	2M2	Resistor, 1/4W	
R100	100R	Resistor, 1/4W	
R101	51K	Resistor, 1/4W	
R102	51K	Resistor, 1/4W	
CLR	4K7	Resistor, 1/4W	* LED current limiting resistor
C1	100n	Film capacitor, 7.2 x 2.5mm	
C2	1n	Film capacitor, 7.2 x 2.5mm	
C3	1u	Electrolytic capacitor, 5mm	
C4	1u	Electrolytic capacitor, 5mm	
C5	1u	Electrolytic capacitor, 5mm	
C6	4n7	Film capacitor, 7.2 x 2.5mm	
C7	1u	Electrolytic capacitor, 5mm	
C100	1u	Electrolytic capacitor, 5mm	
C101	100n	Film capacitor, 7.2 x 2.5mm	
C102	1u	Electrolytic capacitor, 5mm	
D1	5mm Red	5mm Red LED, Diffused	
D2	5mm Red	5mm Red LED, Diffused	
D100	1N4148	Switching diode, DO-35	
IC1	RC4558P	Dual op-amp, DIP8	
VOLUME	B50K	16mm right-angle PCB mount pot	
TONE	B50K	16mm right-angle PCB mount pot	
GAIN	B50K	16mm right-angle PCB mount pot	

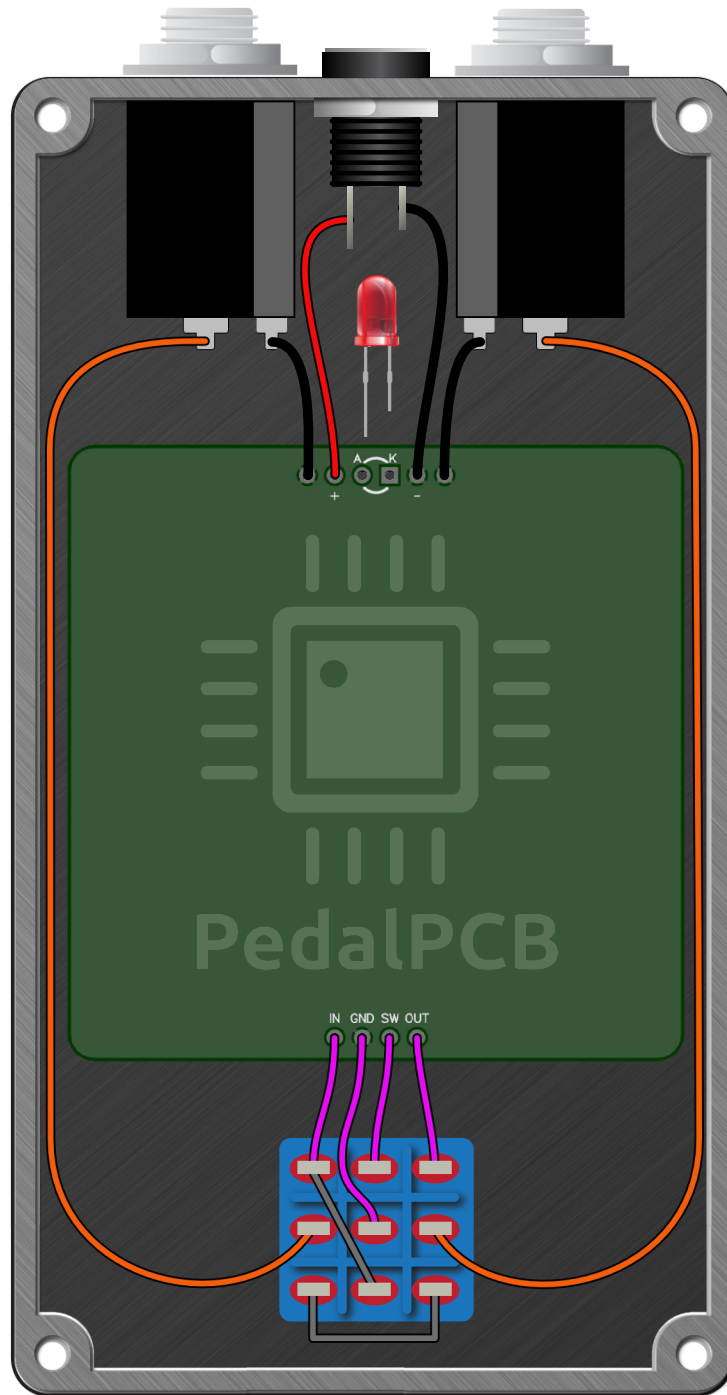
White Washer Distortion

Schematic Diagram



White Washer Distortion

Wiring Diagram



White Washer Distortion

Drill Template
125B Enclosure

