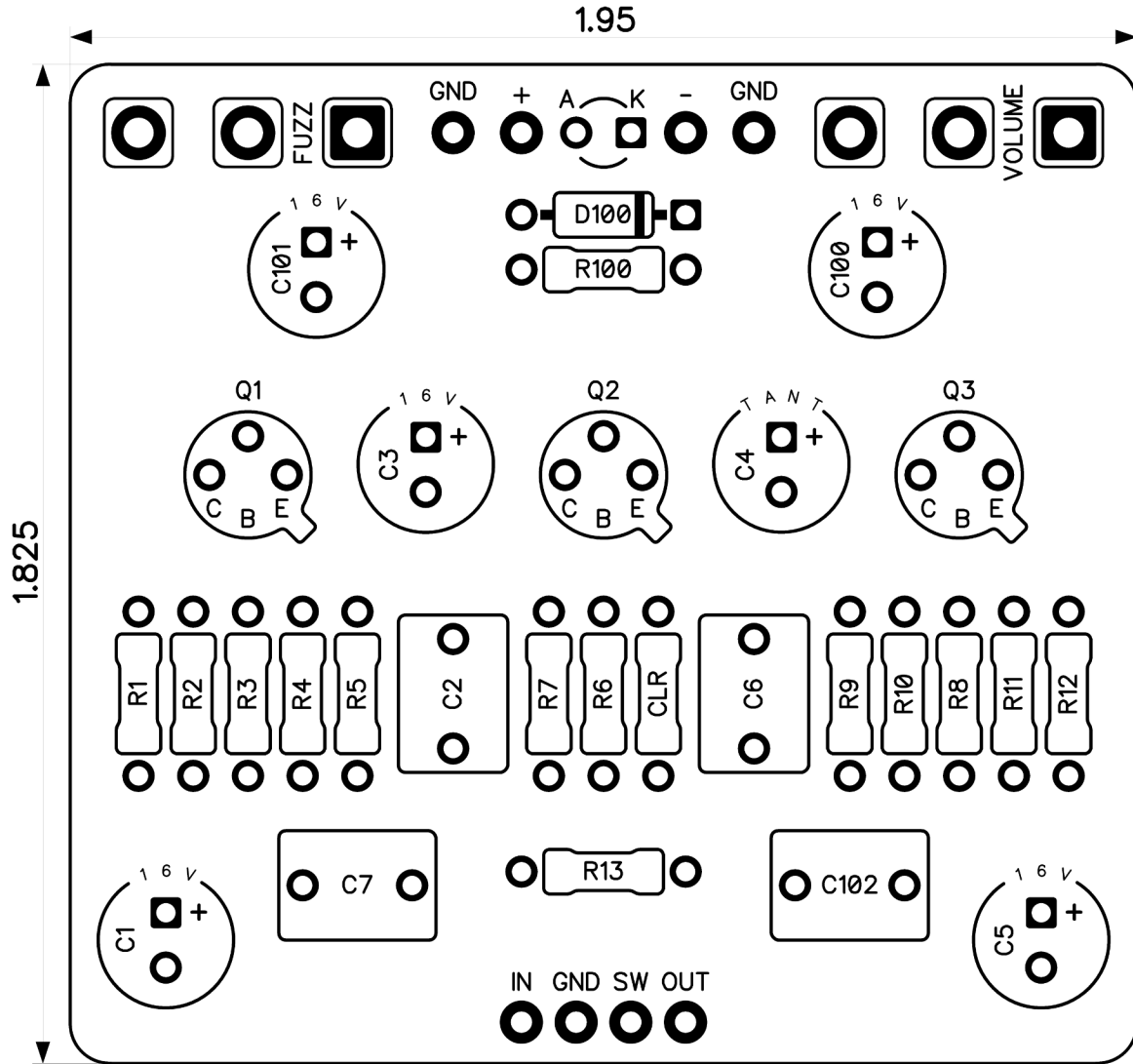


PedalPCB

Waypoint Fuzz

Revised 5/12/24



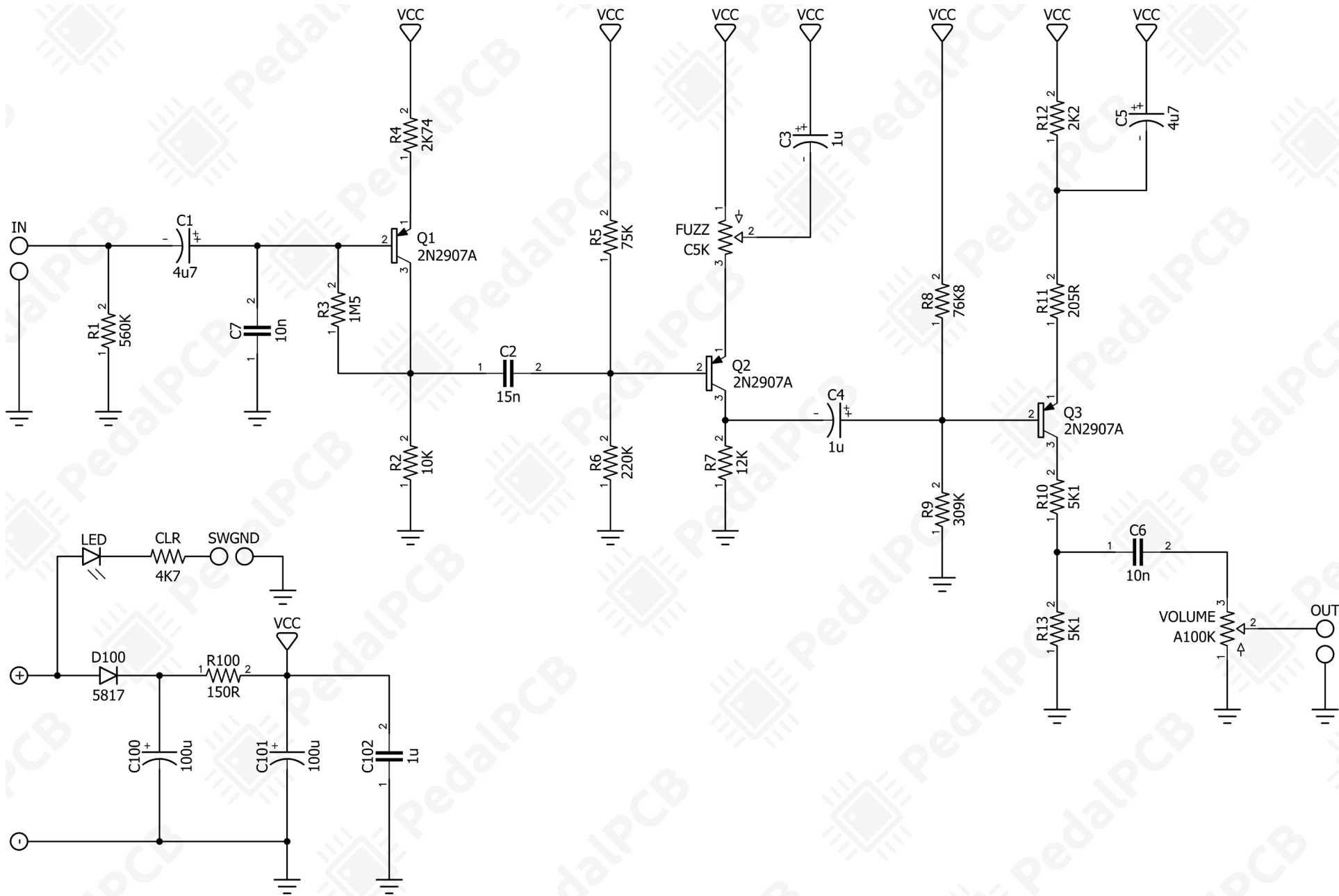
CONTROLS AND FEATURES

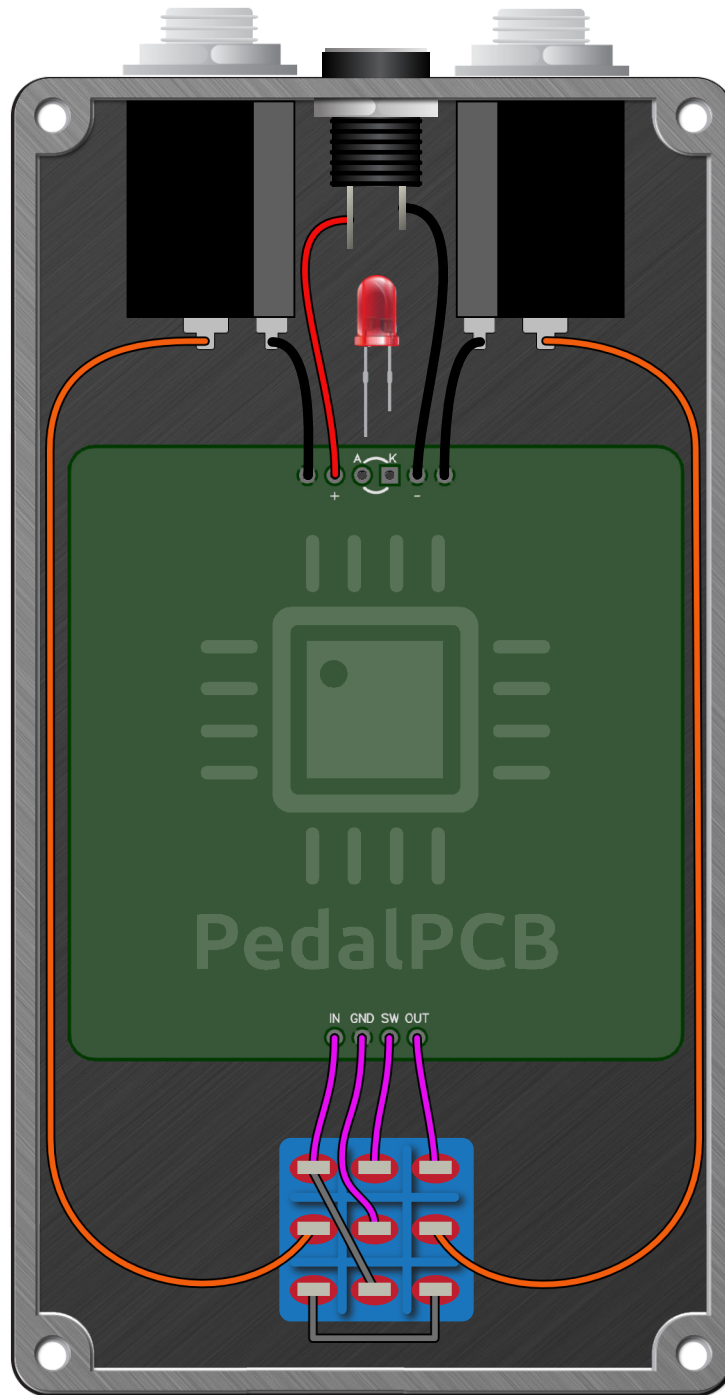
- Volume
- Fuzz

All trademarks and registered trademarks are the property of their respective owners. The company, product, and service names used in this web site are for identification purposes only. Use of these names, logos, and brands does not imply endorsement.

Waypoint Fuzz

Schematic Diagram





Waypoint Fuzz

Drill Template
125B Enclosure

