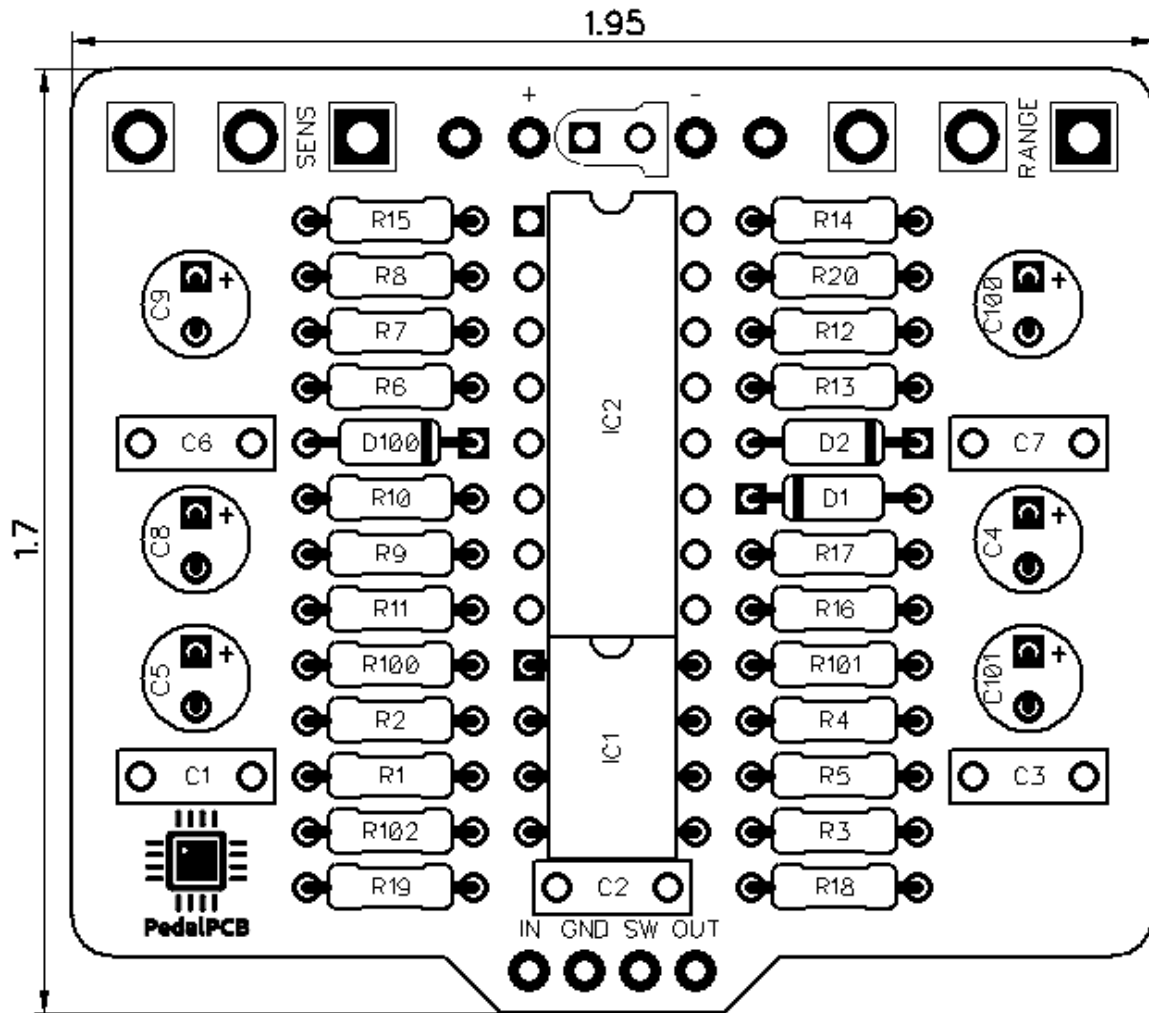




PedalPCB

Waddle Box

Revision 07.12.18



Controls

- **Sensitivity** - Controls how sensitive the effect responds to guitar dynamics
- **Range** - Controls the range of frequency sweep

Waddle Box

Parts List

RESISTORS

R1 10K
R2 470K
R3 150K
R4 1M
R5 4K7
R6 10K
R7 1K
R8 1K
R9 22K
R10 22K
R11 22K
R12 1K
R13 1K
R14 10K
R15 10K
R16 22K
R17 22K
R18 1K
R19 100K
R20 1M
R100 4K7
R101 22K
R102 22K

CAPACITORS

C1 10n
C2 1n
C3 100n
C4 4u7
C5 1u
C6 10n
C7 10n
C8 1u
C9 22u
C100 100u
C101 10u

INTEGRATED CIRCUITS

IC1 LM1458
IC2 LM13600

DIODES

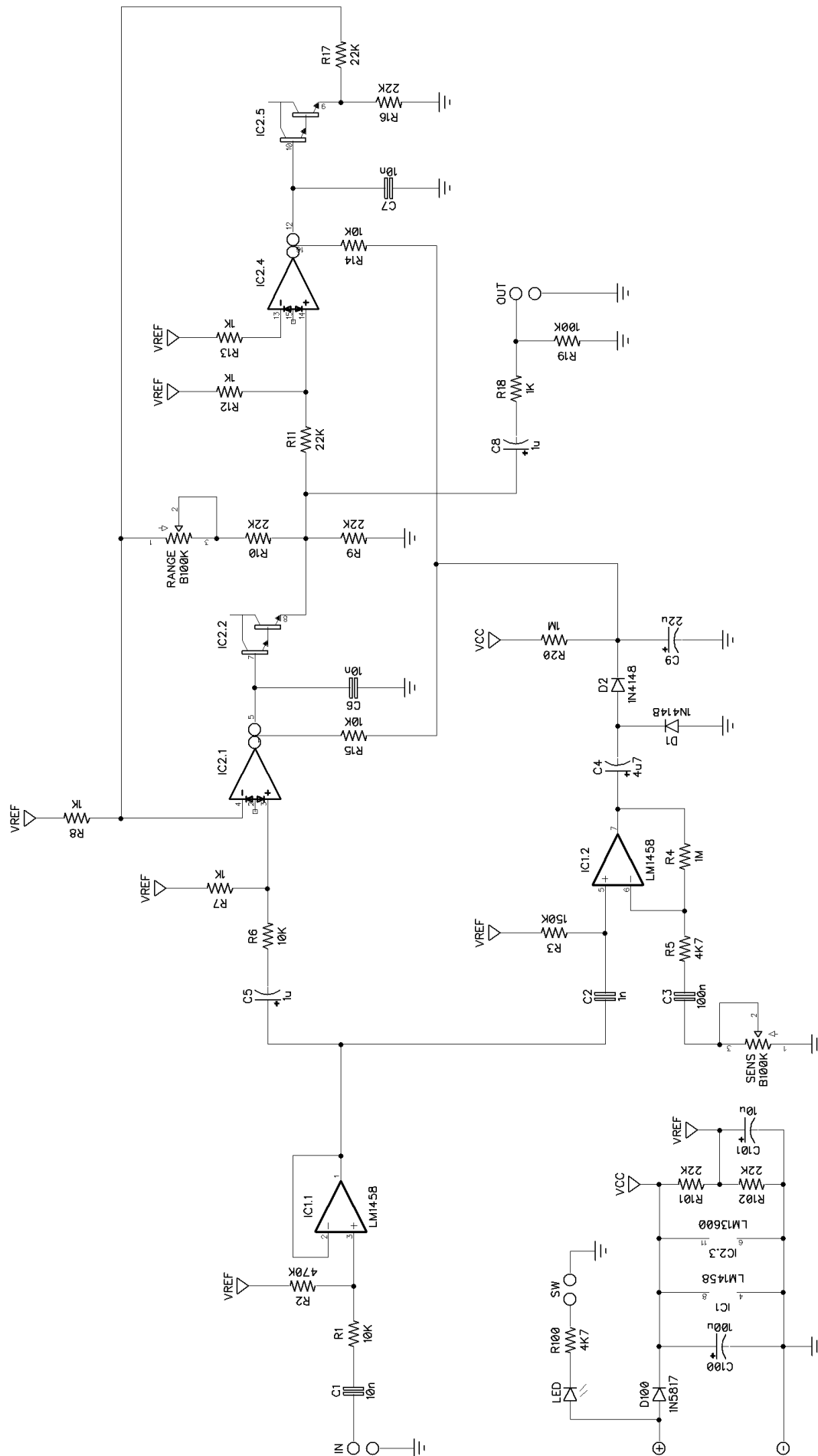
D1 1N4148
D2 1N4148
D100 1N5817

POTENTIOMETERS

RANGE B100K
SENS B100K

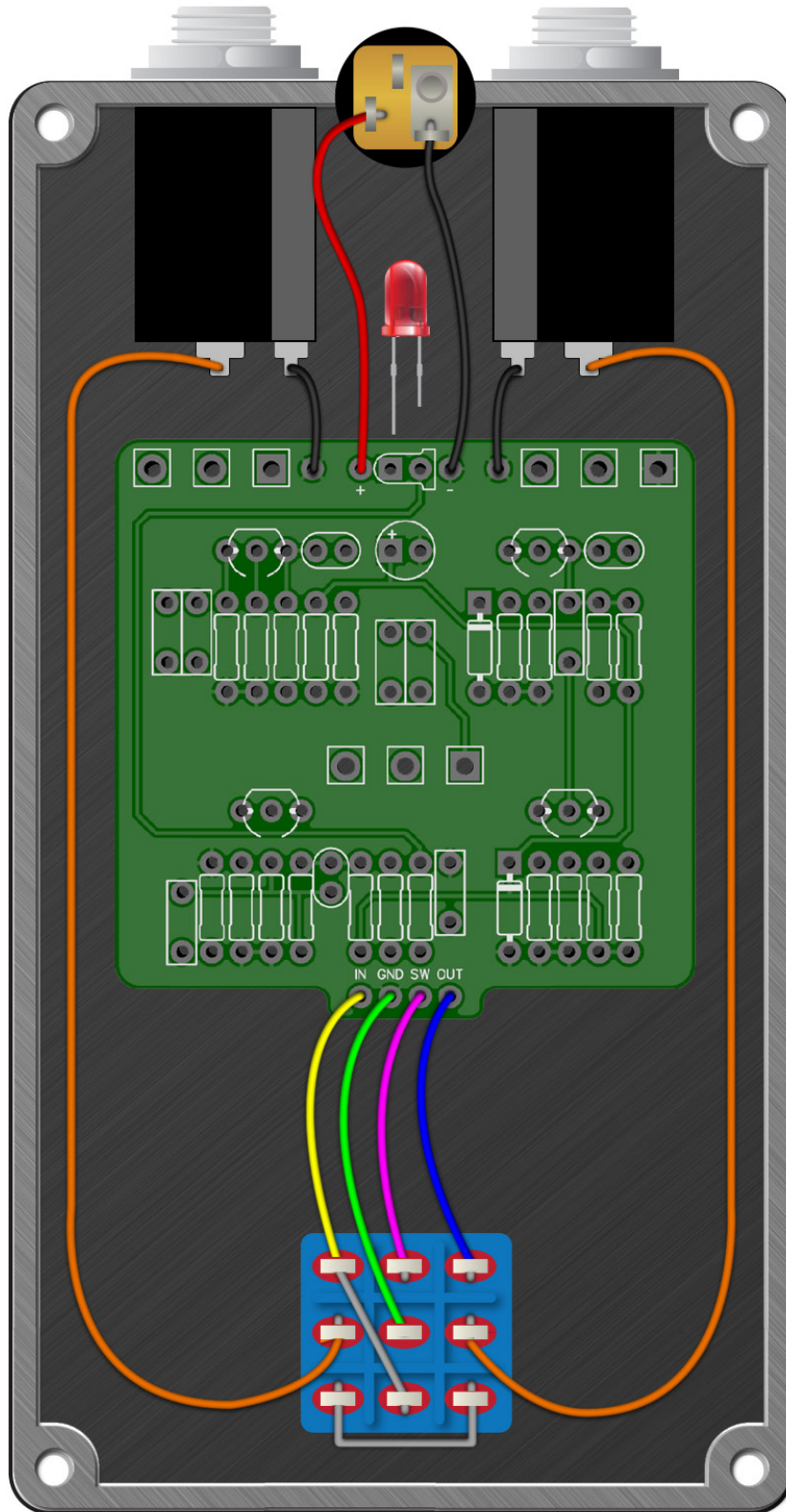


Waddle Box



Waddle Box

Wiring Diagram



Waddle Box

Drill Template
125B enclosure with top mounted jacks

