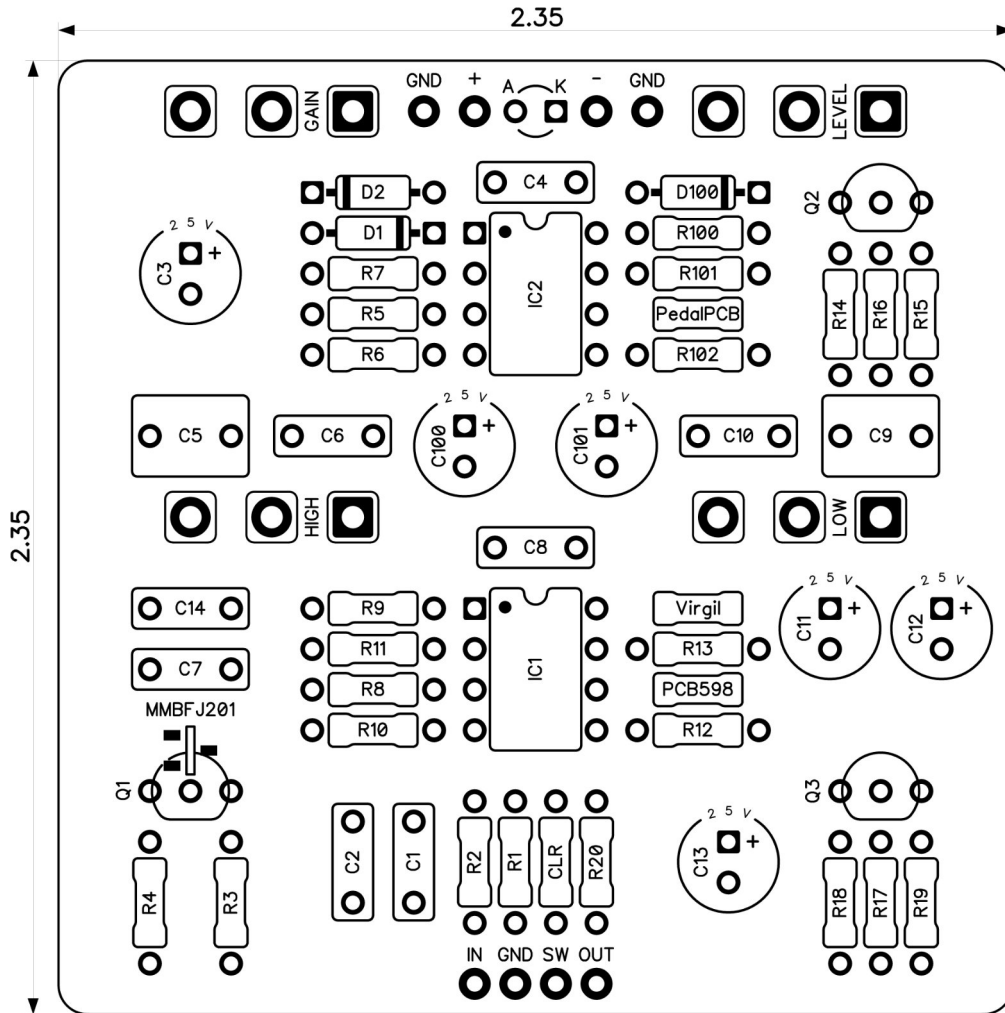


PedalPCB

Virgil Overdrive

Revised 8/12/23



CONTROLS AND FEATURES

- Level
- Gain
- Low
- High

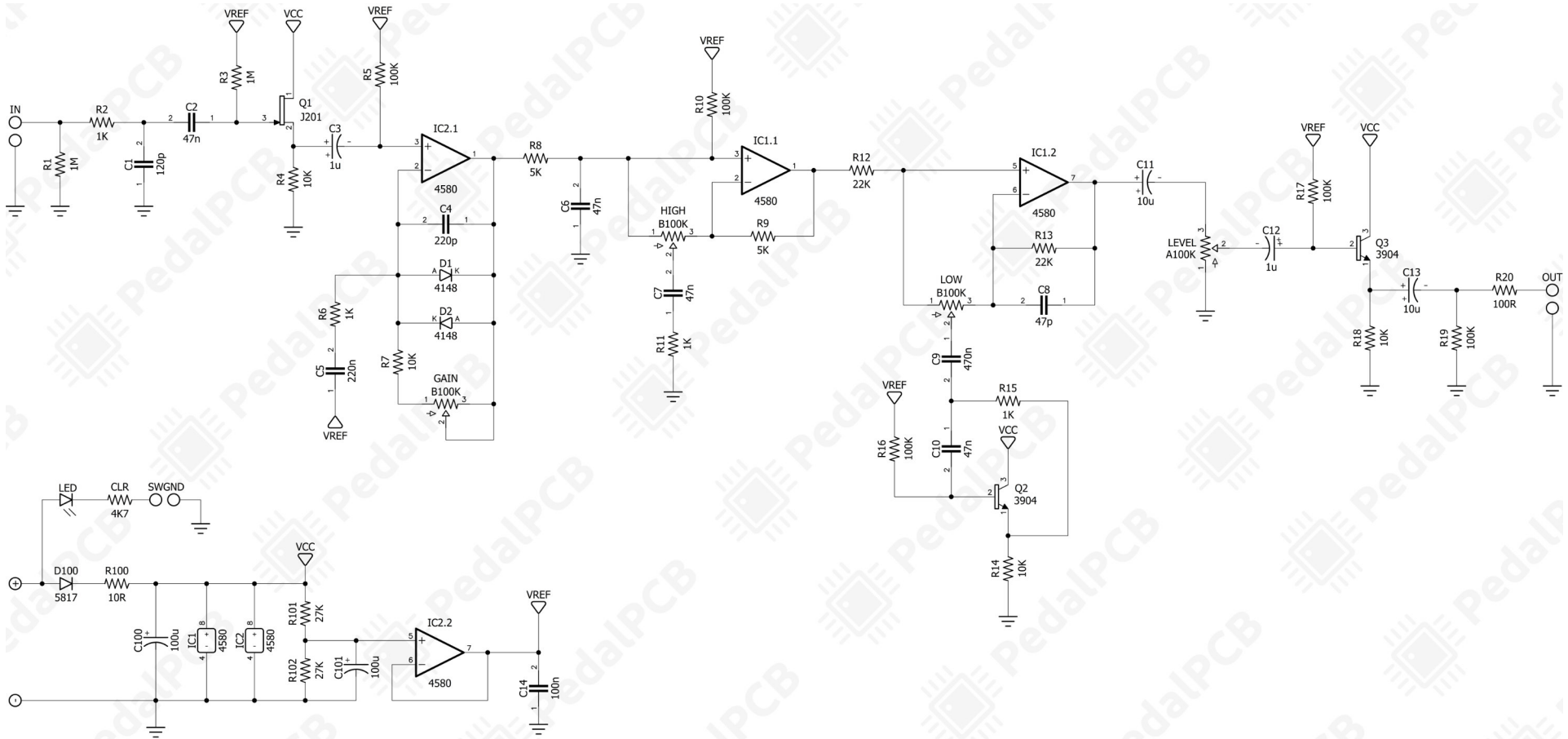
All trademarks and registered trademarks are the property of their respective owners. The company, product, and service names used in this web site are for identification purposes only. Use of these names, logos, and brands does not imply endorsement.

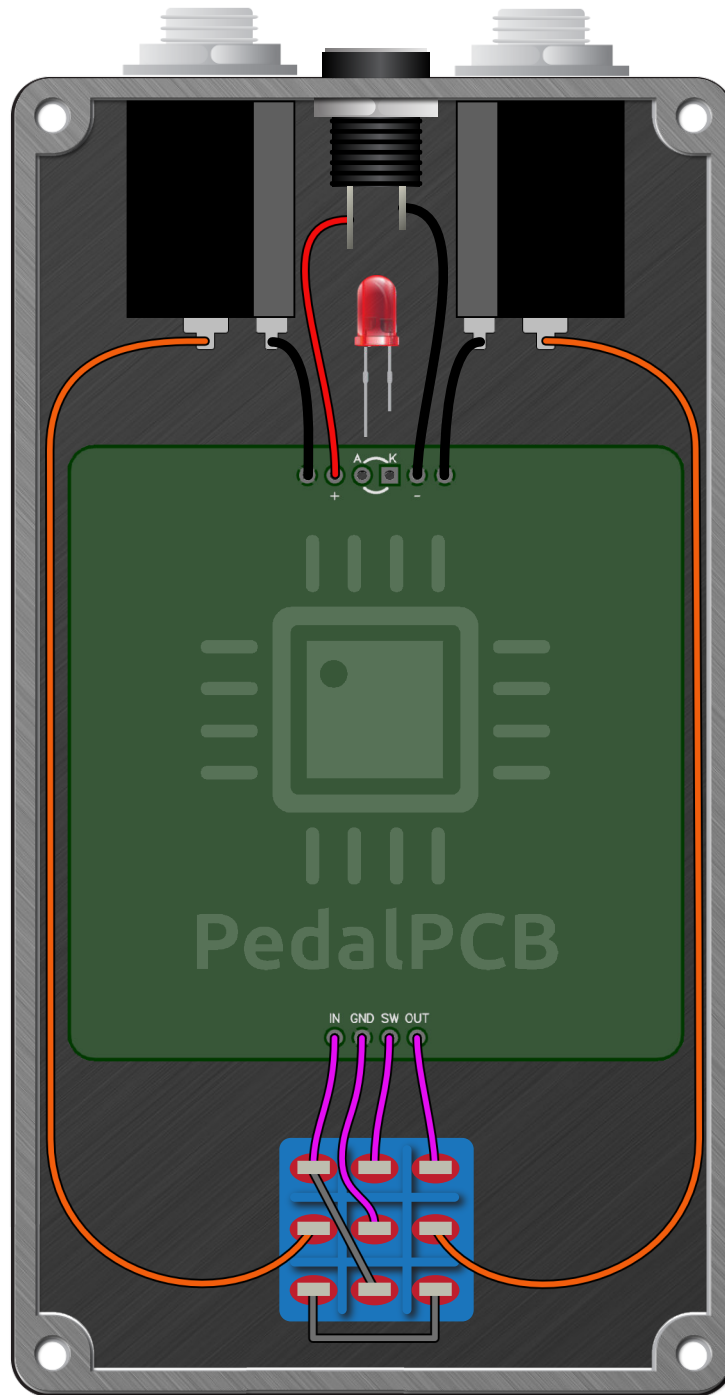
LOCATION	VALUE	TYPE	NOTES
R1	1M	Resistor, 1/4W	
R2	1K	Resistor, 1/4W	
R3	1M	Resistor, 1/4W	
R4	10K	Resistor, 1/4W	
R5	100K	Resistor, 1/4W	
R6	1K	Resistor, 1/4W	
R7	10K	Resistor, 1/4W	
R8	5K	Resistor, 1/4W	
R9	5K	Resistor, 1/4W	
R10	100K	Resistor, 1/4W	
R11	1K	Resistor, 1/4W	
R12	22K	Resistor, 1/4W	
R13	22K	Resistor, 1/4W	
R14	10K	Resistor, 1/4W	
R15	1K	Resistor, 1/4W	
R16	100K	Resistor, 1/4W	
R17	100K	Resistor, 1/4W	
R18	10K	Resistor, 1/4W	
R19	100K	Resistor, 1/4W	
R20	100R	Resistor, 1/4W	
R100	10R	Resistor, 1/4W	
R101	27K	Resistor, 1/4W	
R102	27K	Resistor, 1/4W	
CLR	4K7	Resistor, 1/4W	* LED current limiting resistor
C1	120p	Ceramic capacitor	
C2	47n	Film capacitor, 7.2 x 2.5mm	
C3	1u	Electrolytic capacitor, 5mm	
C4	220p	Ceramic capacitor	
C5	220n	Film capacitor, 7.2 x 5.0mm	
C6	47n	Film capacitor, 7.2 x 2.5mm	
C7	47n	Film capacitor, 7.2 x 2.5mm	
C8	47p	Ceramic capacitor	
C9	470n	Film capacitor, 7.2 x 5.0mm	
C10	47n	Film capacitor, 7.2 x 2.5mm	
C11	10u	Electrolytic capacitor, 5mm	
C12	1u	Electrolytic capacitor, 5mm	
C13	10u	Electrolytic capacitor, 5mm	
C14	100n	Film capacitor, 7.2 x 2.5mm	
C100	100u	Electrolytic capacitor, 5mm	
C101	100u	Electrolytic capacitor, 5mm	
D1	1N4148	Signal diode, DO-35	
D2	1N4148	Signal diode, DO-35	
D100	1N5817	Schottky diode, DO-41	
			<i>Continued on next page...</i>

LOCATION	VALUE	TYPE	NOTES
Q1	J201	JFET transistor, N-channel	
Q2	2N3904	BJT transistor, NPN TO-92	
Q3	2N3904	BJT transistor, NPN TO-92	
IC1	JRC4580	Dual op-amp, DIP8	
IC2	JRC4580	Dual op-amp, DIP8	
LEVEL	A100K	16mm right-angle PCB mount pot	
GAIN	B100K	16mm right-angle PCB mount pot	
LOW	B100K	16mm right-angle PCB mount pot	
HIGH	B100K	16mm right-angle PCB mount pot	

Virgil Overdrive

Schematic Diagram





Virgil Overdrive

Drill Template
125B Enclosure

