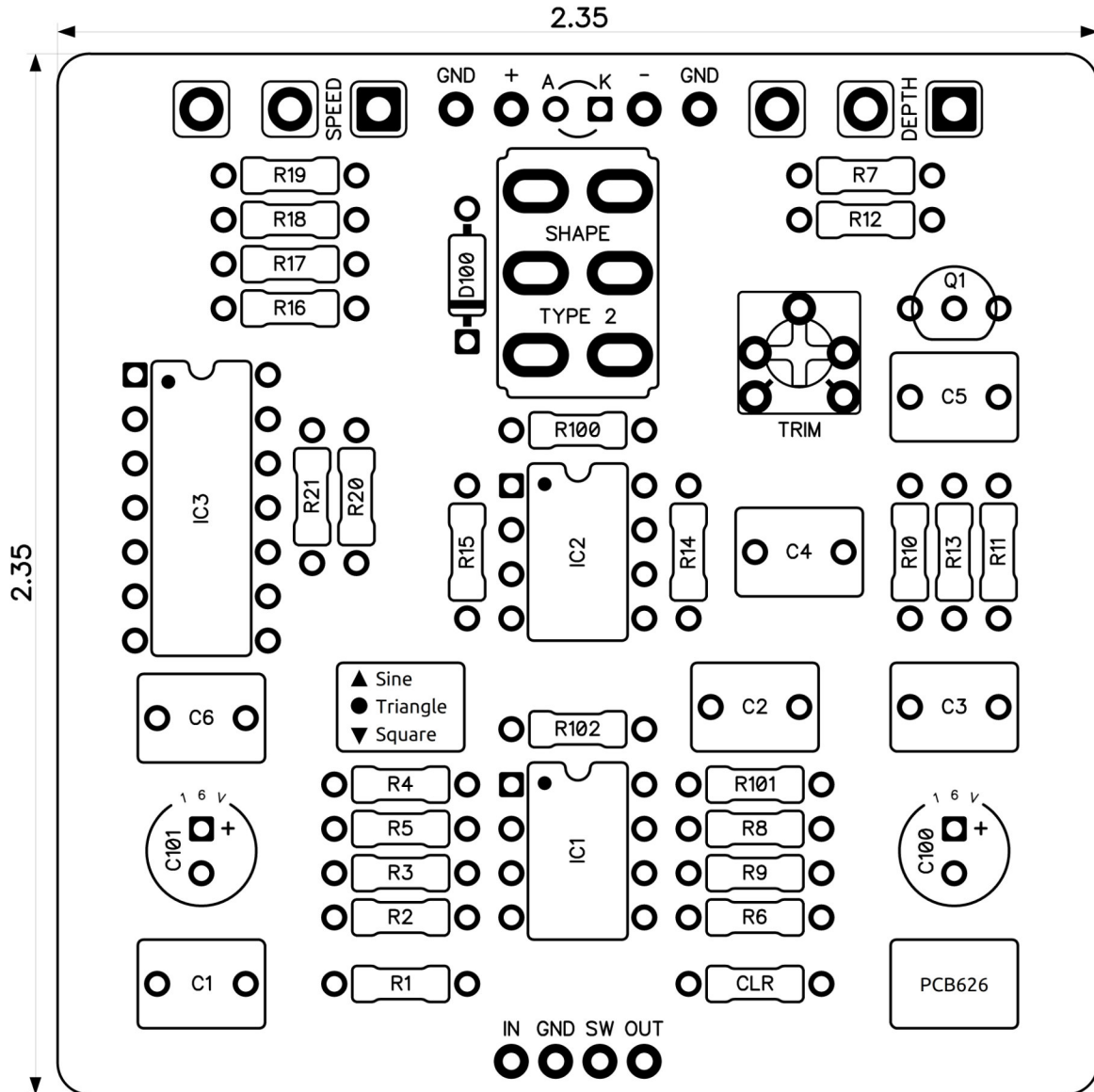


# PedalPCB

## VibroBot Tremolo

Revised 4/11/24



### CONTROLS AND FEATURES

- Depth
- Speed
- Shape (Sine/Triangle/Square)
- Depth Trim (Internal trim pot)

All trademarks and registered trademarks are the property of their respective owners. The company, product, and service names used in this web site are for identification purposes only. Use of these names, logos, and brands does not imply endorsement.

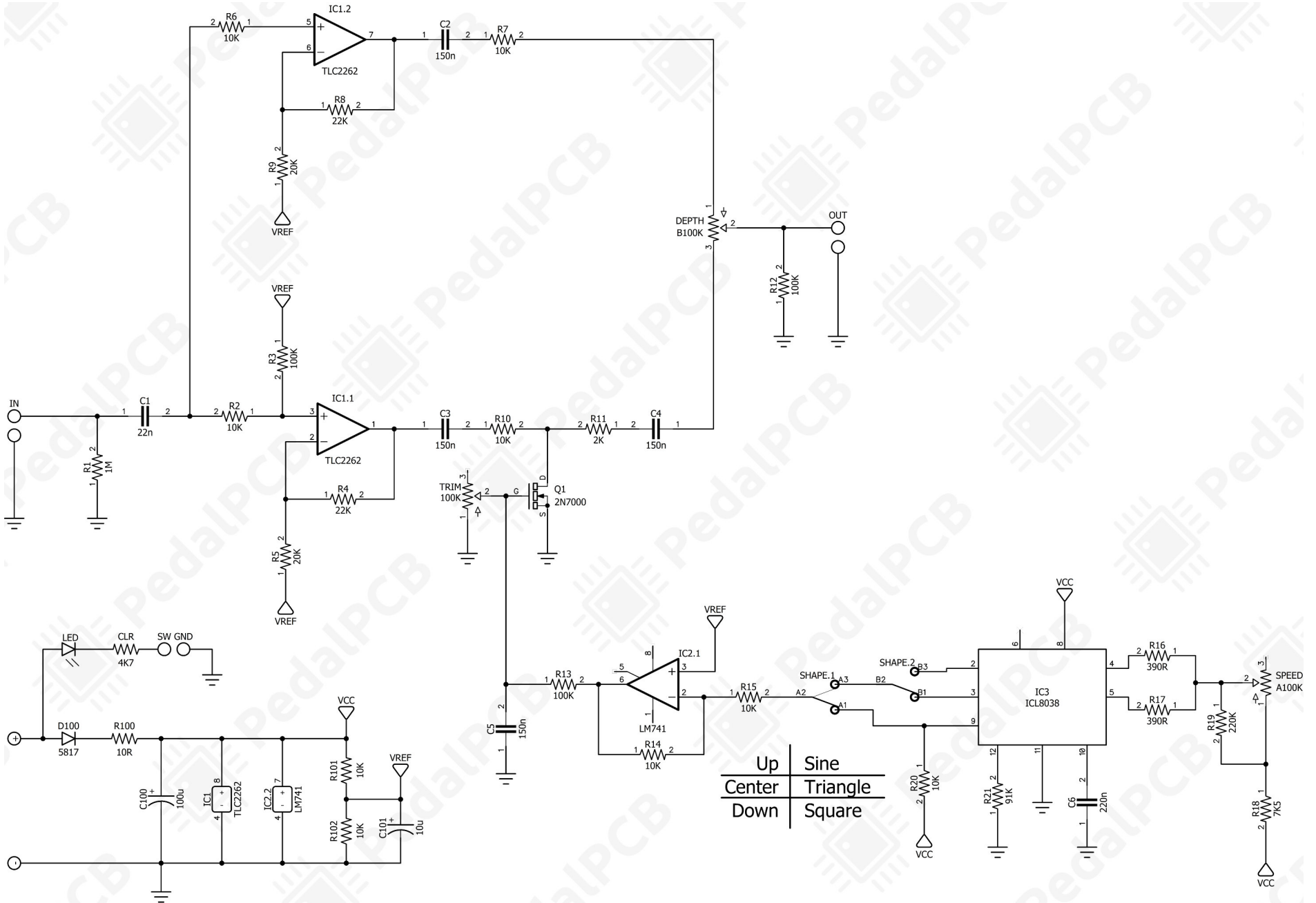
LOCATION	VALUE	TYPE	NOTES
R1	1M	Resistor, 1/4W	
R2	10K	Resistor, 1/4W	
R3	100K	Resistor, 1/4W	
R4	22K	Resistor, 1/4W	
R5	20K	Resistor, 1/4W	
R6	10K	Resistor, 1/4W	
R7	10K	Resistor, 1/4W	
R8	22K	Resistor, 1/4W	
R9	20K	Resistor, 1/4W	
R10	10K	Resistor, 1/4W	
R11	2K	Resistor, 1/4W	
R12	100K	Resistor, 1/4W	
R13	100K	Resistor, 1/4W	
R14	10K	Resistor, 1/4W	
R15	10K	Resistor, 1/4W	
R16	390R	Resistor, 1/4W	
R17	390R	Resistor, 1/4W	
R18	7K5	Resistor, 1/4W	
R19	220K	Resistor, 1/4W	
R20	10K	Resistor, 1/4W	
R21	91K	Resistor, 1/4W	
R100	10R	Resistor, 1/4W	
R101	10K	Resistor, 1/4W	
R102	10K	Resistor, 1/4W	
CLR	4K7	Resistor, 1/4W	* LED current limiting resistor
C1	22n	Film capacitor, 7.2 x 2.5mm	
C2	150n	Film capacitor, 7.2 x 5.0mm	
C3	150n	Film capacitor, 7.2 x 5.0mm	
C4	150n	Film capacitor, 7.2 x 5.0mm	
C5	150n	Film capacitor, 7.2 x 5.0mm	
C6	220n	Film capacitor, 7.2 x 5.0mm	
C100	100u	Electrolytic capacitor, 5mm	
C101	10u	Electrolytic capacitor, 5mm	
D100	1N5817	Schottky diode, DO-41	
Q1	2N7000	N-Channel MOSFET	
IC1	TLC2262	Dual op-amp, DIP8	
IC2	LM741	Single op-amp, DIP8	
IC3	ICL8038	Precision Waveform Generator	* See note
DEPTH	B100K	16mm right-angle PCB mount pot	
SPEED	A100K	16mm right-angle PCB mount pot	
TRIM	100K	Trimmer potentiometer, 3362P type	
SHAPE	DPDT	Toggle switch, DPDT	3-position (ON/ON/ON) - <b>Type 2</b>


**NOTE**

Depending on supplier / manufacturer, pin 6 of IC3(ICL8038) may need to be lifted/disconnected

# VibroBot Tremolo

Schematic Diagram



Up	Sine
Center	Triangle
Down	Square



# VibroBot Tremolo

Drill Template  
125B Enclosure

