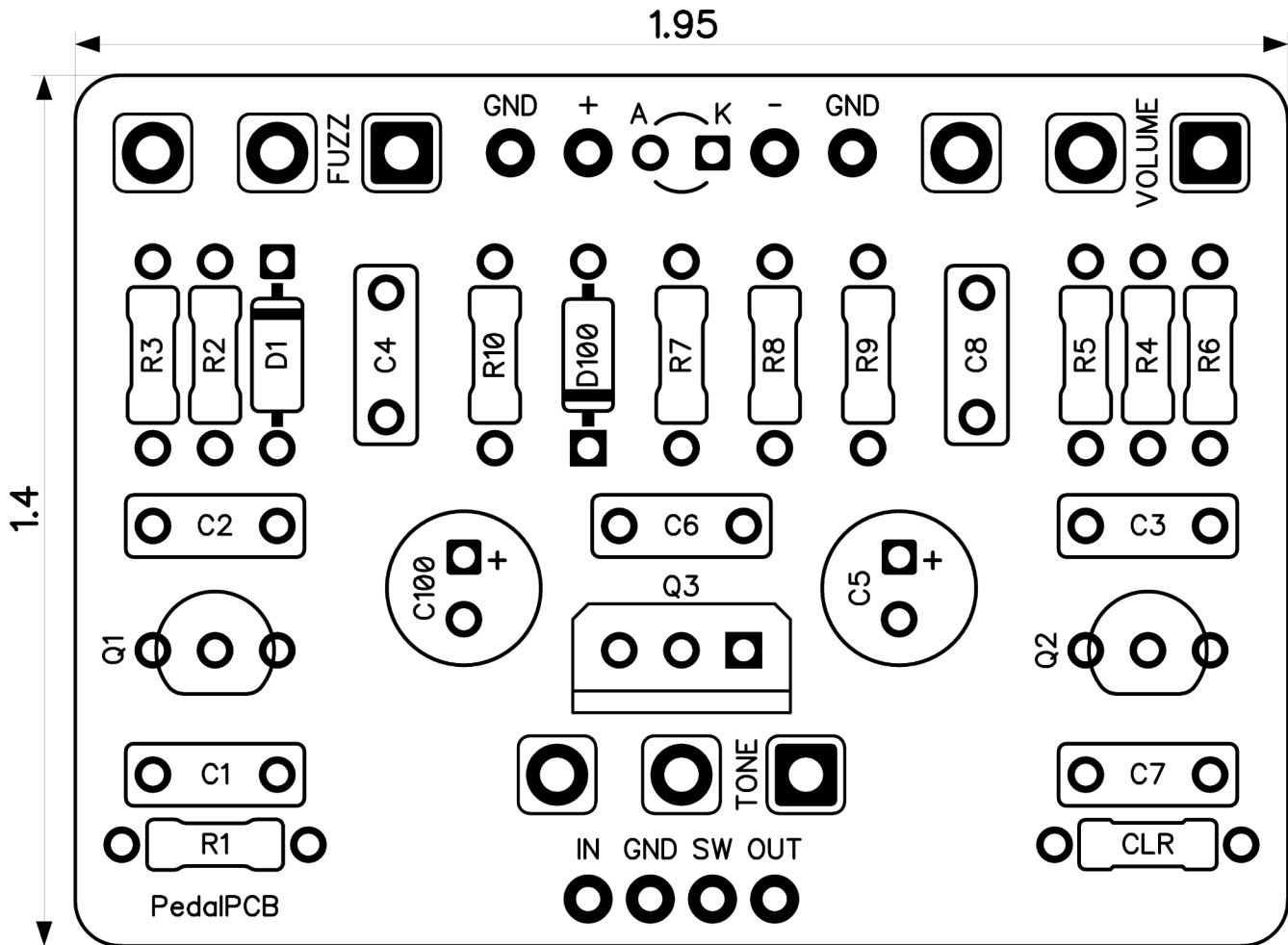


PedalPCB

Vanquisher Fuzz

Revised 5/13/24



CONTROLS AND FEATURES

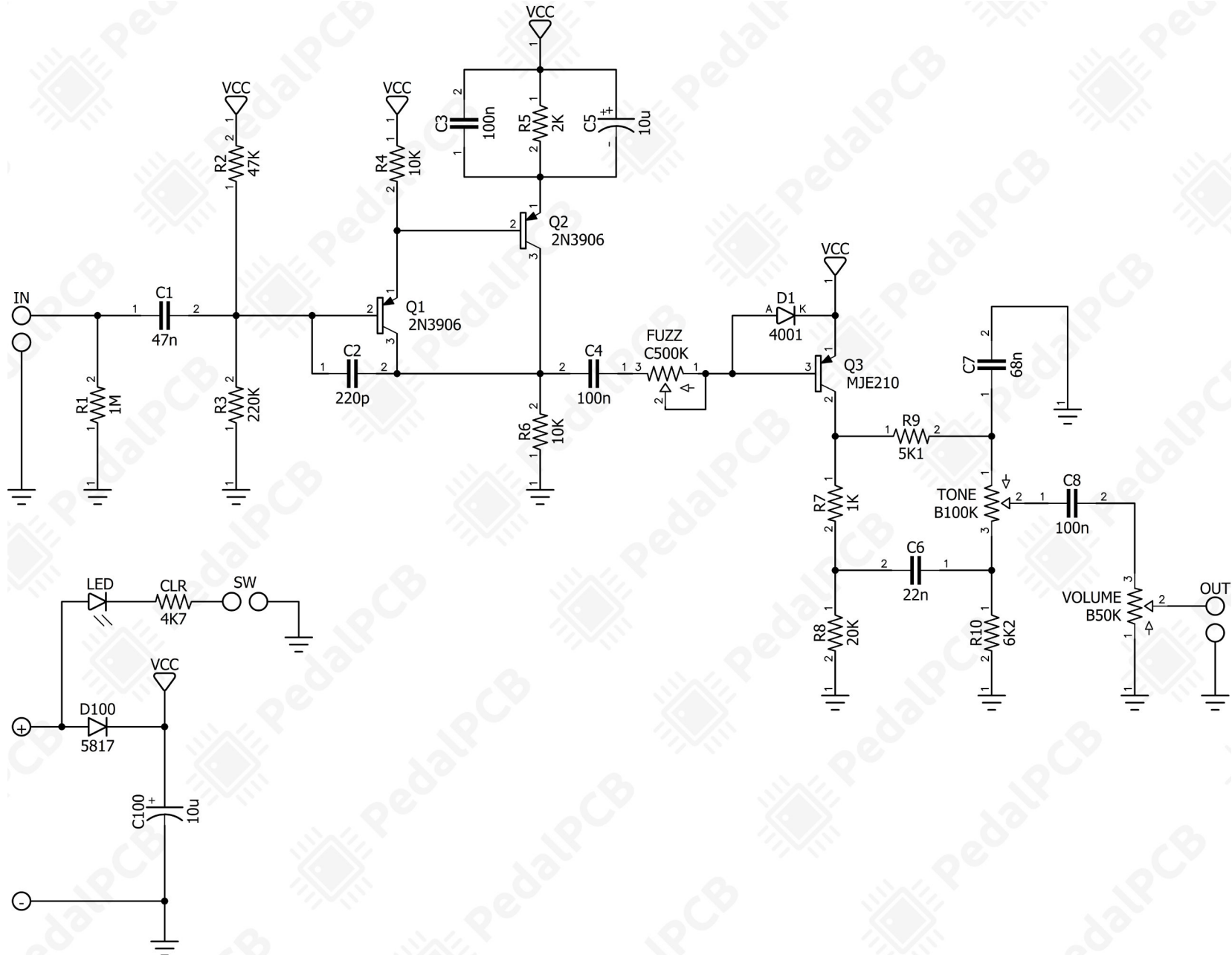
- Volume
- Tone
- Fuzz

All trademarks and registered trademarks are the property of their respective owners. The company, product, and service names used in this web site are for identification purposes only. Use of these names, logos, and brands does not imply endorsement.

| LOCATION | VALUE | TYPE | NOTES |
|----------|--------|--------------------------------|---------------------------------|
| R1 | 1M | Resistor, 1/4W | |
| R2 | 47K | Resistor, 1/4W | |
| R3 | 220K | Resistor, 1/4W | |
| R4 | 10K | Resistor, 1/4W | |
| R5 | 2K | Resistor, 1/4W | |
| R6 | 10K | Resistor, 1/4W | |
| R7 | 1K | Resistor, 1/4W | |
| R8 | 20K | Resistor, 1/4W | |
| R9 | 5K1 | Resistor, 1/4W | |
| R10 | 6K2 | Resistor, 1/4W | |
| CLR | 4K7 | Resistor, 1/4W | * LED current limiting resistor |
| | | | |
| C1 | 47n | Film capacitor, 7.2 x 2.5mm | |
| C2 | 220p | Ceramic capacitor | |
| C3 | 100n | Film capacitor, 7.2 x 2.5mm | |
| C4 | 100n | Film capacitor, 7.2 x 2.5mm | |
| C5 | 10u | Electrolytic capacitor, 5mm | |
| C6 | 22n | Film capacitor, 7.2 x 2.5mm | |
| C7 | 68n | Film capacitor, 7.2 x 2.5mm | |
| C8 | 100n | Film capacitor, 7.2 x 2.5mm | |
| C100 | 10u | Electrolytic capacitor, 5mm | |
| | | | |
| D1 | 1N4001 | Standard recovery diode, DO-41 | |
| D100 | 1N5817 | Schottky diode, DO-41 | |
| | | | |
| Q1 | 2N3906 | BJT transistor, PNP TO-92 | |
| Q2 | 2N3906 | BJT transistor, PNP TO-92 | |
| Q3 | MJE210 | BJT transistor, PNP TO-225 | |
| | | | |
| VOLUME | B50K | 16mm right-angle PCB mount pot | |
| TONE | B100K | 16mm right-angle PCB mount pot | |
| FUZZ | C500K | 16mm right-angle PCB mount pot | |
| | | | |
| | | | |
| | | | |
| | | | |
| | | | |
| | | | |
| | | | |
| | | | |
| | | | |
| | | | |
| | | | |
| | | | |
| | | | |
| | | | |

Vanquisher Fuzz

Schematic Diagram



Vanquisher Fuzz

Wiring Diagram



Vanquisher Fuzz

Drill Template
125B Enclosure

