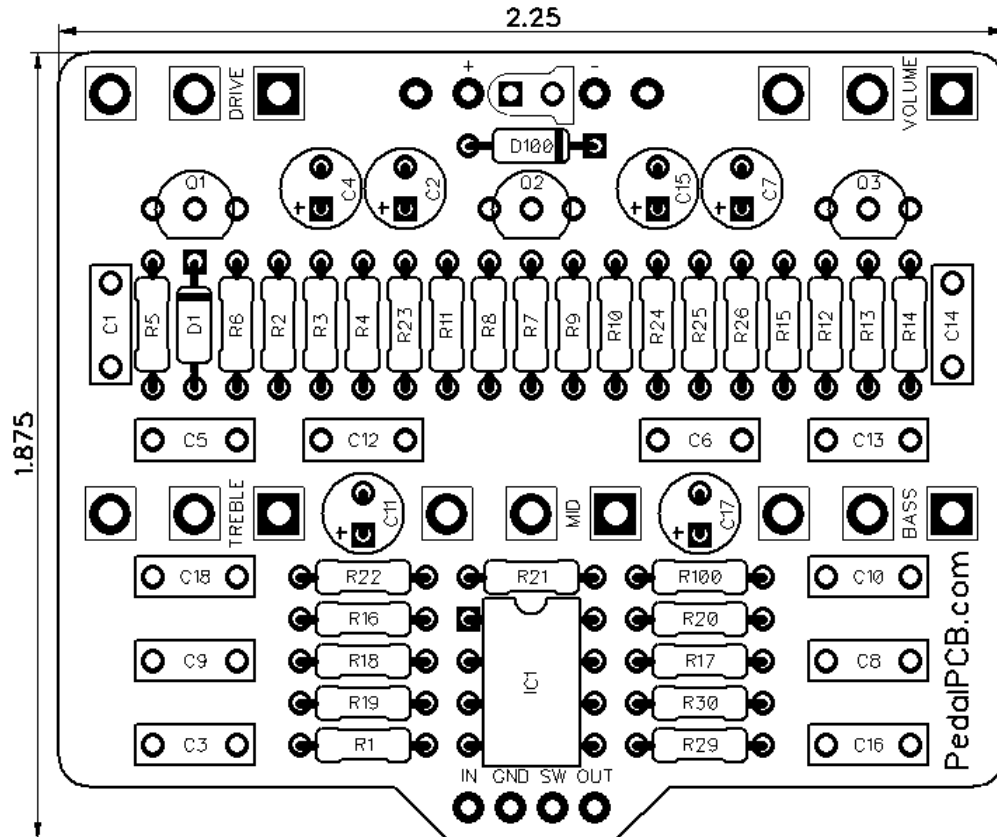


Van Pelt Drive

Revision 01.09.18



Resistors

R1	1M
R2	10M
R3	100K
R4	62K
R5	2K7
R6	2K7
R7	470K
R8	1M
R9	1M
R10	180
R11	5K1
R12	1M
R13	1M
R14	330
R15	5K1
R16	6K8
R17	6K8
R18	2K2
R19	2K2
R20	68K
R21	15K
R22	10K
R23	90K9
R24	47K
R25	100K
R26	10K
R29	22K
R30	22K
R100	4K7

Capacitors

C1	100n
C2	10u
C3	22n
C4	100u
C5	470p
C6	22n
C7	10u
C8	47n
C9	10n
C10	10n
C11	10u
C12	10n
C13	1n
C14	1n
C15	100u
C16	100n
C17	100u
C18	2n2

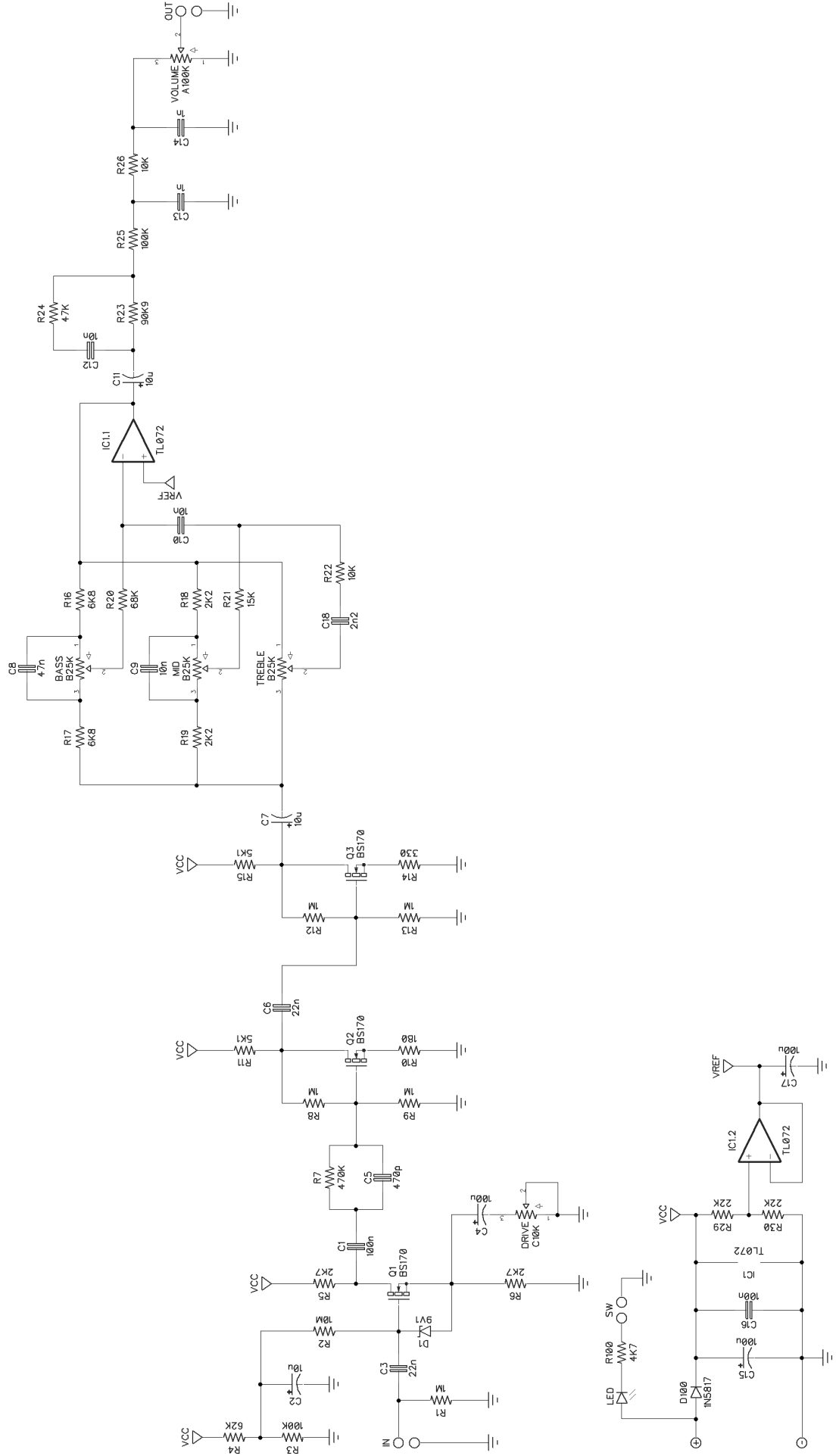
Semiconductors

IC1	TL072
Q1	BS170
Q2	BS170
Q3	BS170
D1	9V1
D100	1N5817

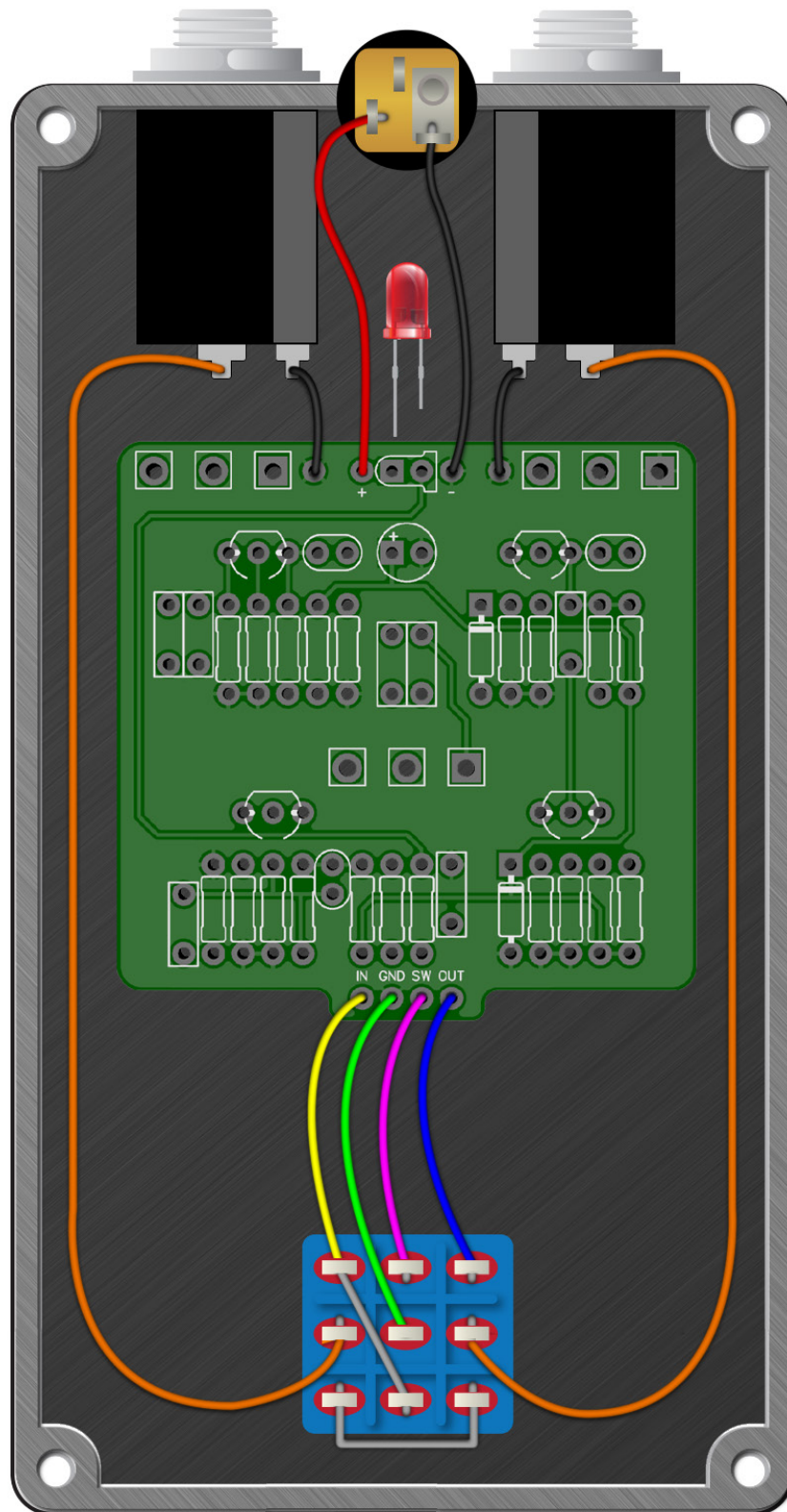
Potentiometers

VOLUME	A100K
DRIVE	C10K
TREBLE	B25K
MID	B25K
BASS	B25K

Van Pelt Drive



Wiring Diagram



Drill Template

4S125B enclosure with top mounted jacks

