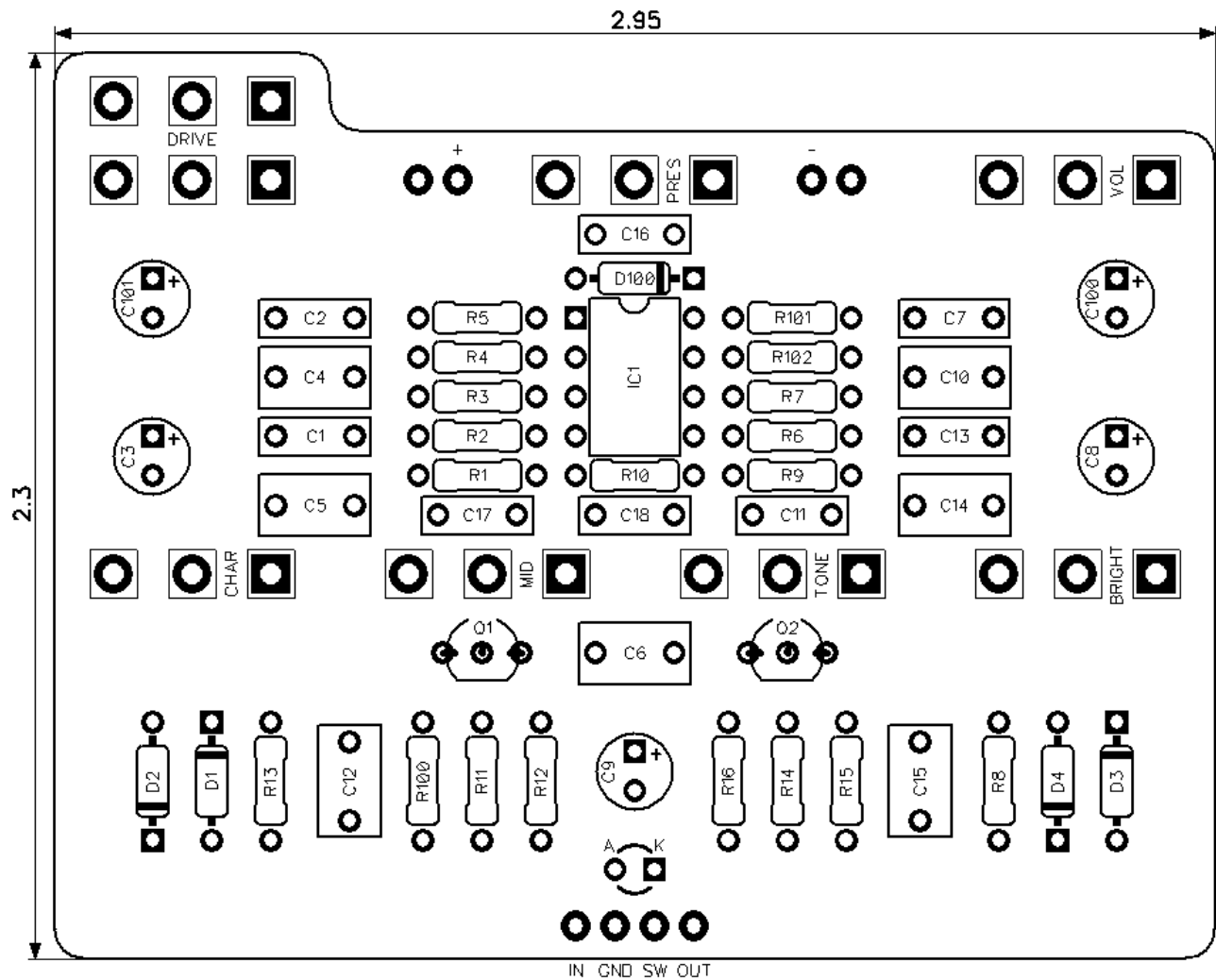




Valve Stem Overdrive

Revised 6/30/22

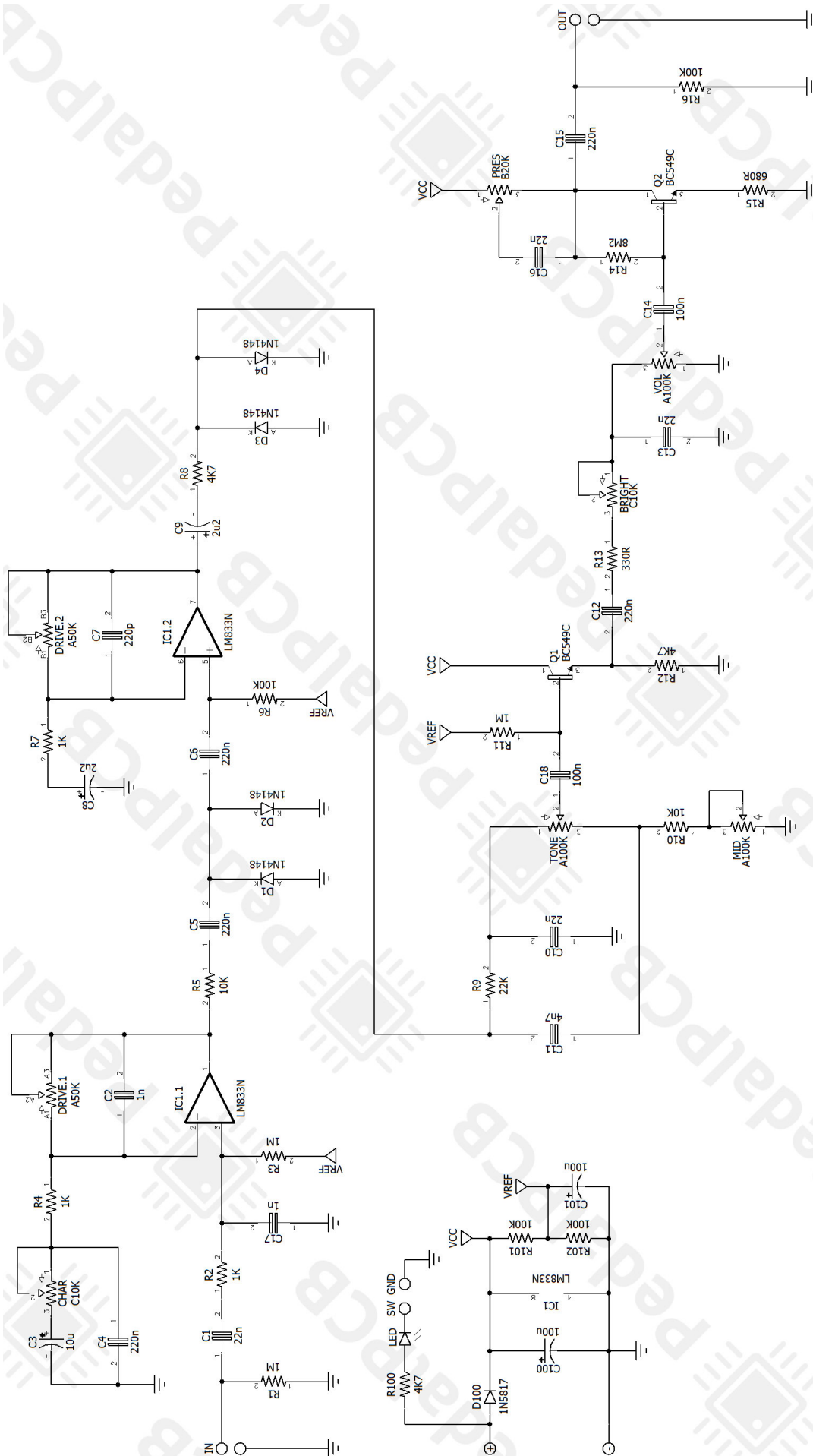


CONTROLS AND FEATURES

- Volume
- Presence
- Drive
- Bright
- Tone
- Mid
- Character

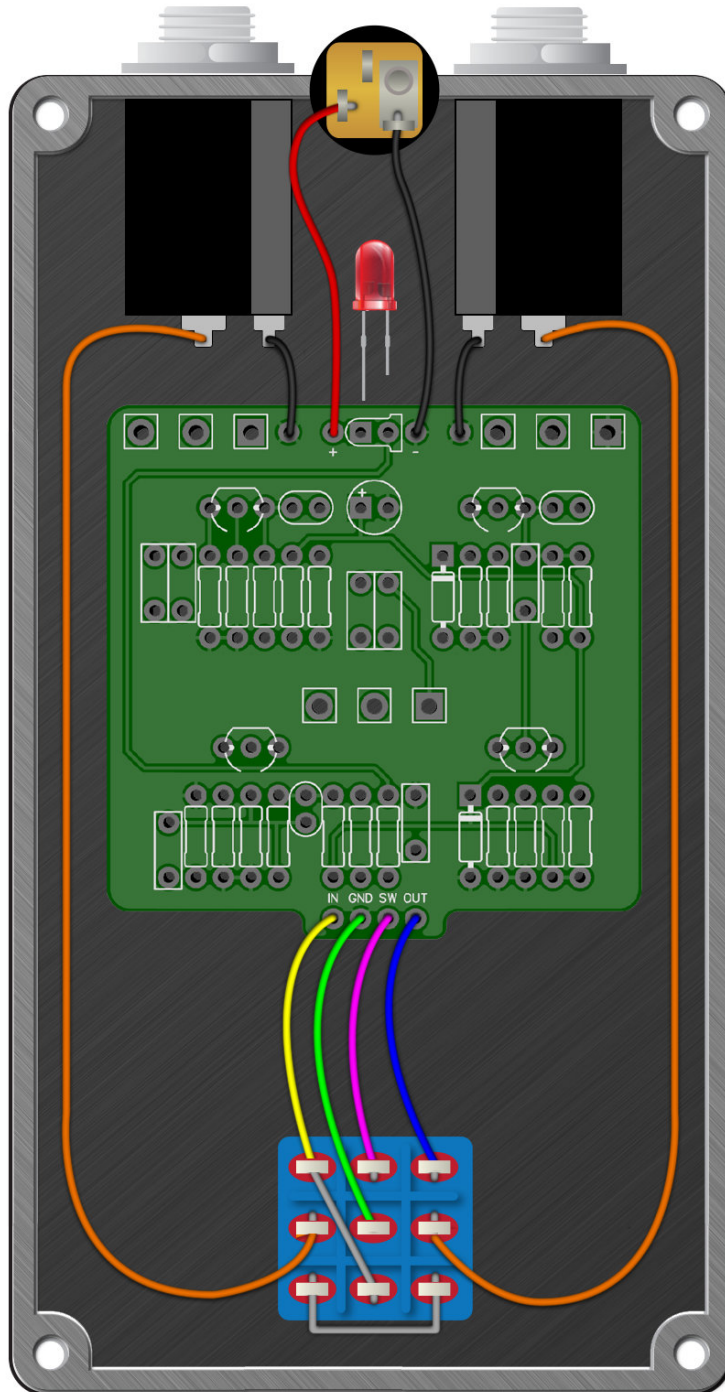
All trademarks and registered trademarks are the property of their respective owners. The company, product, and service names used in this web site are for identification purposes only. Use of these names, logos, and brands does not imply endorsement.

LOCATION	VALUE	TYPE	NOTES
R1	1M	Resistor, 1/4W	
R2	1K	Resistor, 1/4W	
R3	1M	Resistor, 1/4W	
R4	1K	Resistor, 1/4W	
R5	10K	Resistor, 1/4W	
R6	100K	Resistor, 1/4W	
R7	1K	Resistor, 1/4W	
R8	4K7	Resistor, 1/4W	
R9	22K	Resistor, 1/4W	
R10	10K	Resistor, 1/4W	
R11	1M	Resistor, 1/4W	
R12	4K7	Resistor, 1/4W	
R13	330R	Resistor, 1/4W	
R14	8M2	Resistor, 1/4W	
R15	680R	Resistor, 1/4W	
R16	100K	Resistor, 1/4W	
R100	4K7	Resistor, 1/4W	
R101	100K	Resistor, 1/4W	
R102	100K	Resistor, 1/4W	
C1	22n	Film capacitor, 7.2 x 2.5mm	
C2	1n	Film capacitor, 7.2 x 2.5mm	
C3	10u	Electrolytic capacitor, 5mm	
C4	220n	Film capacitor, 7.2 x 5.0mm	
C5	220n	Film capacitor, 7.2 x 5.0mm	
C6	220n	Film capacitor, 7.2 x 5.0mm	
C7	220p	Ceramic capacitor	
C8	2u2	Electrolytic capacitor, 5mm	
C9	2u2	Electrolytic capacitor, 5mm	
C10	22n	Film capacitor, 7.2 x 2.5mm	
C11	4n7	Film capacitor, 7.2 x 2.5mm	
C12	220n	Film capacitor, 7.2 x 5.0mm	
C13	22n	Film capacitor, 7.2 x 2.5mm	
C14	100n	Film capacitor, 7.2 x 2.5mm	
C15	220n	Film capacitor, 7.2 x 5.0mm	
C16	22n	Film capacitor, 7.2 x 2.5mm	
C17	1n	Film capacitor, 7.2 x 2.5mm	
C18	100n	Film capacitor, 7.2 x 2.5mm	
C100	100u	Electrolytic capacitor, 5mm	
C101	100u	Electrolytic capacitor, 5mm	
D1	1N4148	Signal diode, DO-35	
D2	1N4148	Signal diode, DO-35	
D3	1N4148	Signal diode, DO-35	
D4	1N4148	Signal diode, DO-35	
D100	1N5817	Schottky diode, DO-41	
		<i>Continued on next page...</i>	



Valve Stem Overdrive

Wiring Diagram



Valve Stem Overdrive

Drill Template
1590BB Enclosure

