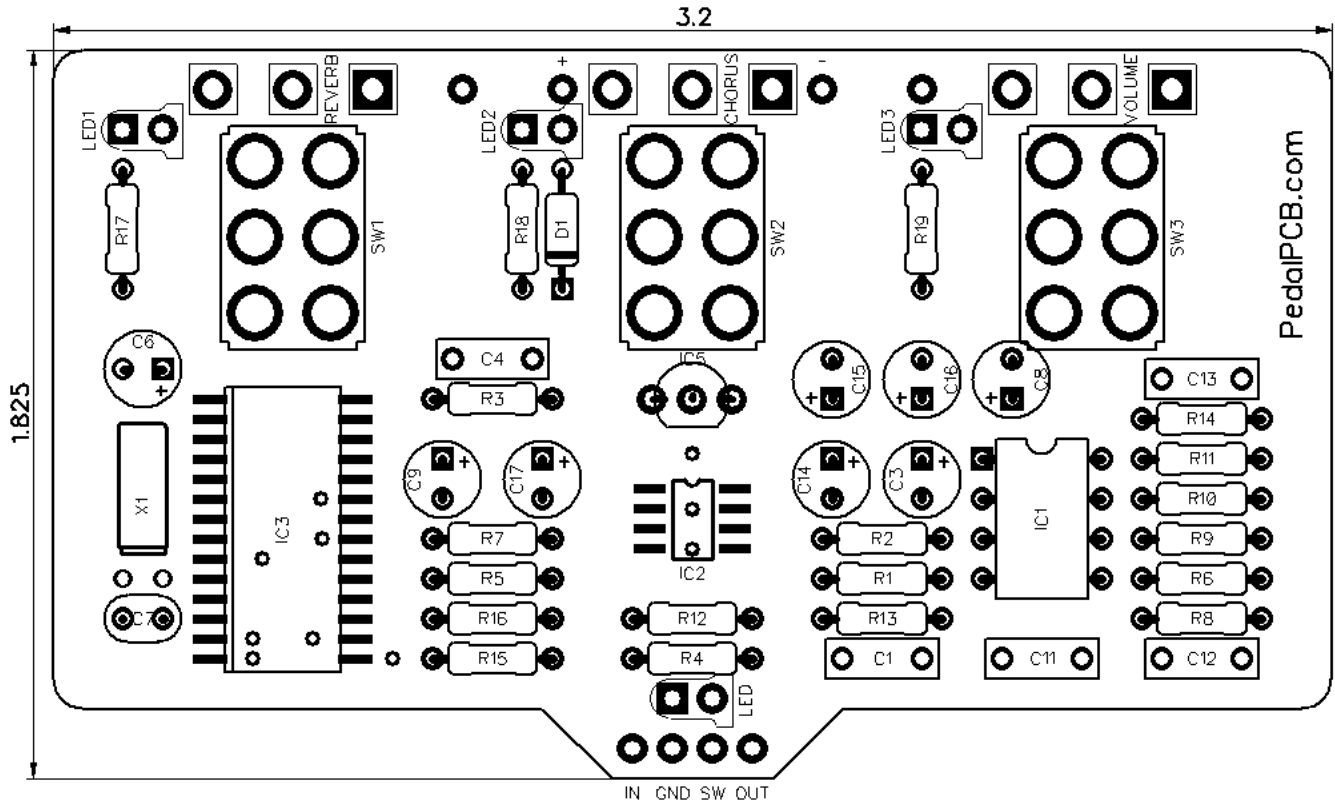


# VHS

Revision 04.08.18



## Resistors

R1	1M
R2	100K
R3	1K
R4	100K
R5	10K
R6	100K
R7	100
R8	100K
R9	10K
R10	10K
R11	100
R12	4K7
R13	10K
R14	10K
R15	10K
R16	10K
R17	4K7
R18	4K7
R19	4K7

## Capacitors

C1	100n
C3	1u
C4	1n
C6	10u
C7	15p
C8	1u
C9	1u
C11	2n2
C12	220n
C13	120p
C14	1u
C15	100u
C16	47u
C17	47u

## Semiconductors

D1	1N5817
IC1	TL072
IC2	24LC32A
IC3	FV1
IC5	L78L33
LED	3mm Red LED
LED1	3mm Red LED
LED2	3mm Red LED
LED3	3mm Red LED
SW1	DPDT On/On
SW2	DPDT On/On
SW3	DPDT On/On

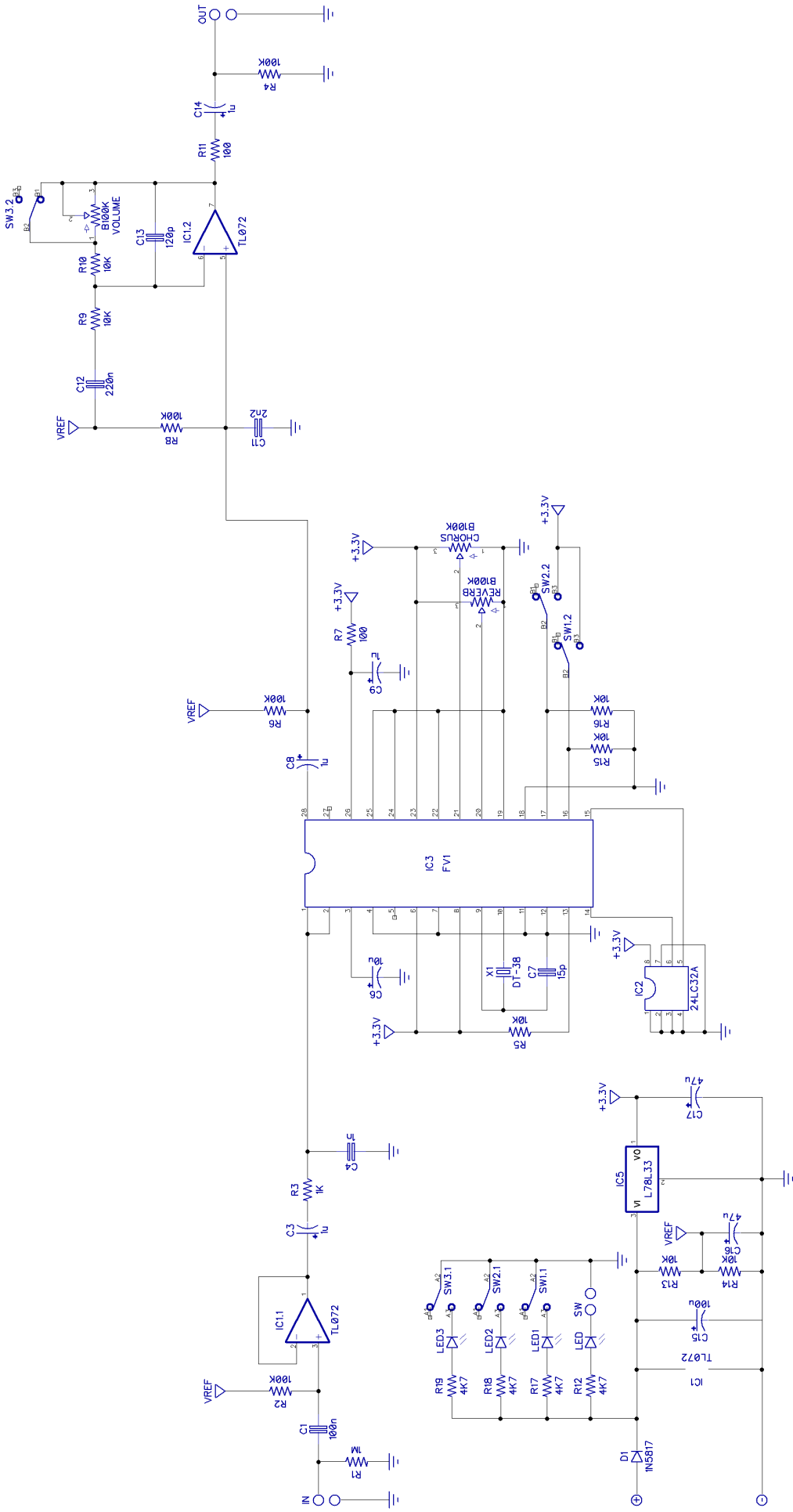
## Potentiometers

VOLUME	B100K
CHORUS	B100K
REVERB	B100K

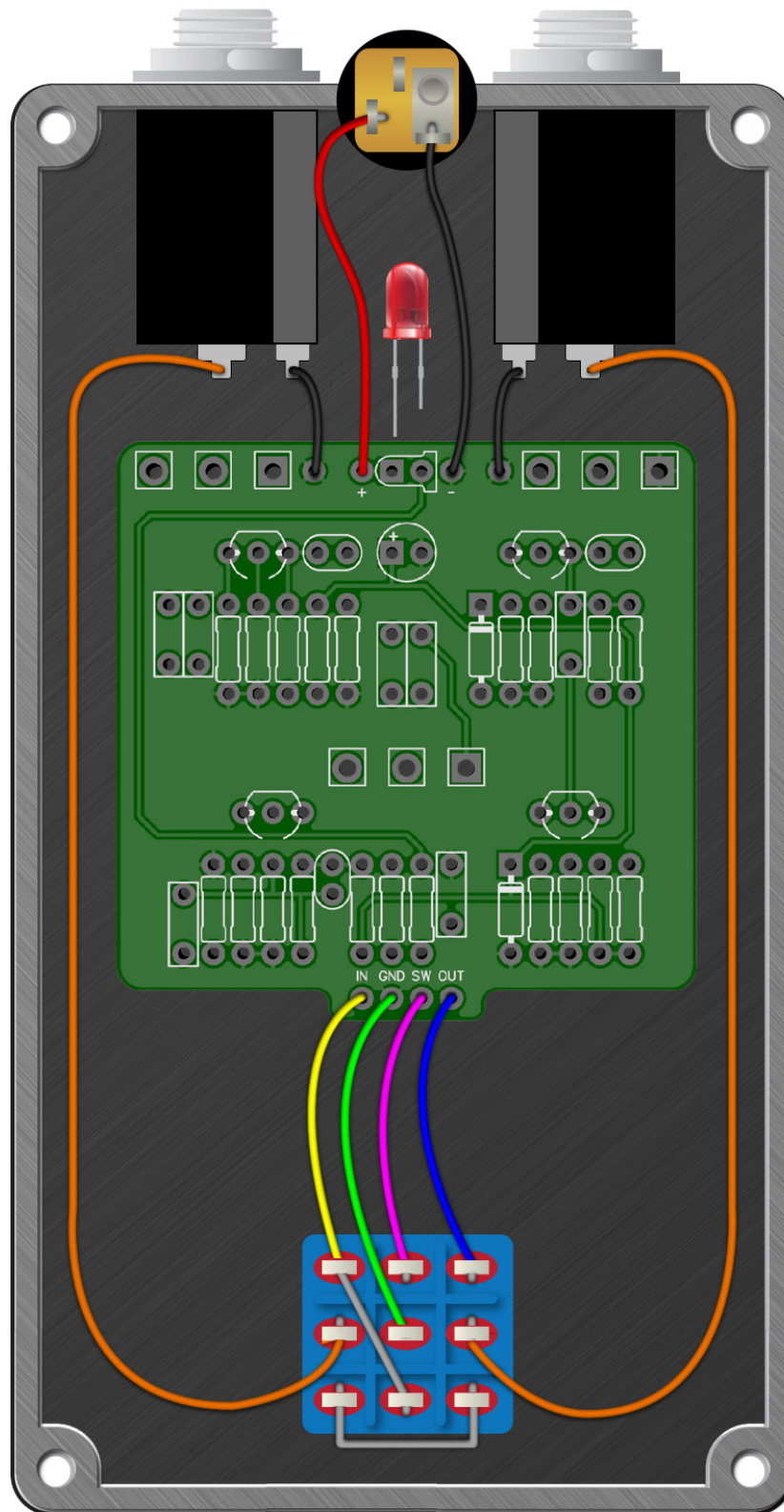
## Crystals

X1	32.768kHz Crystal
----	-------------------

# VHS



# Wiring Diagram



# Drill Template

## 1590BB enclosure with top mounted jacks

