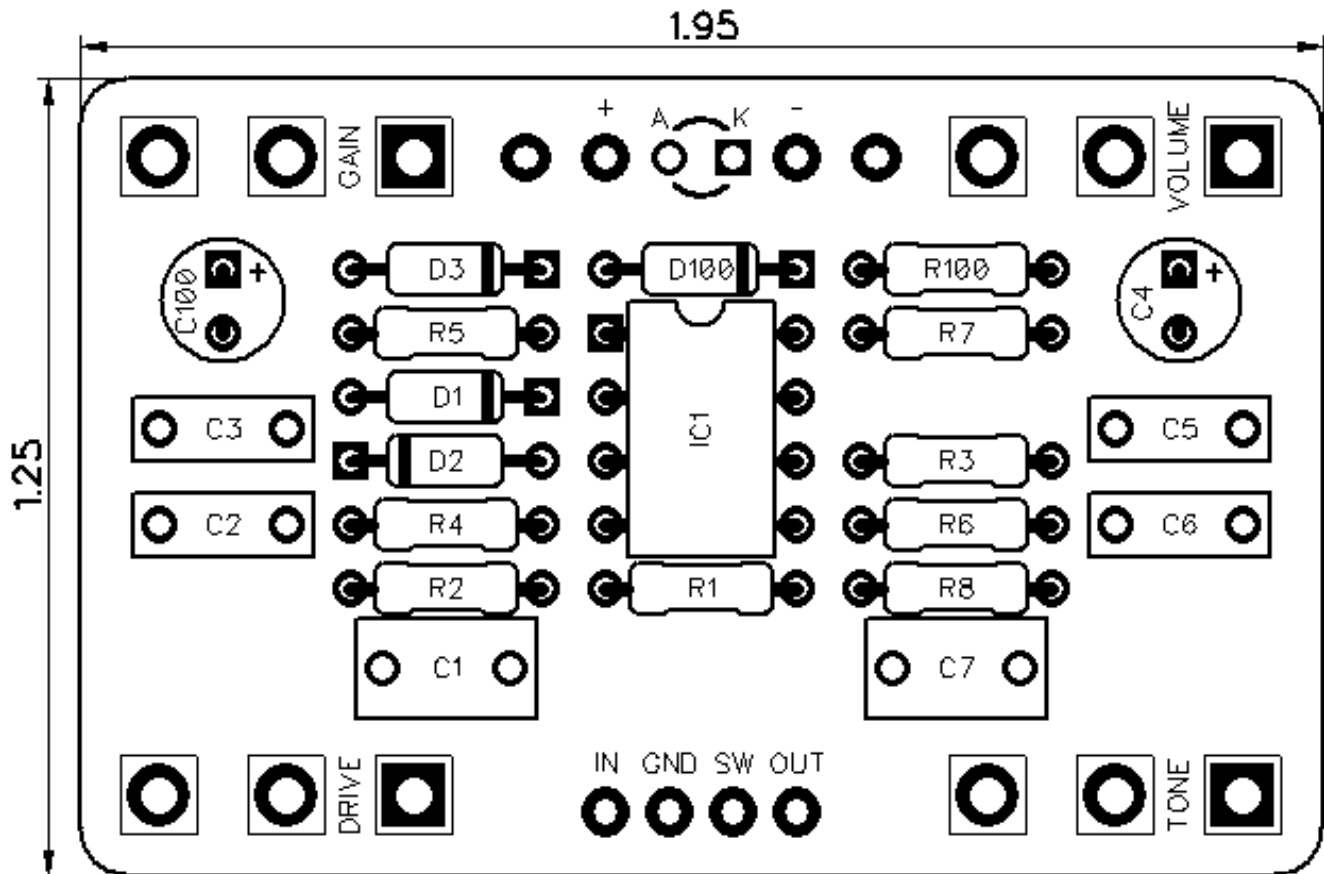




PedalPCB

Urushiol Drive

Revised 8/12/20



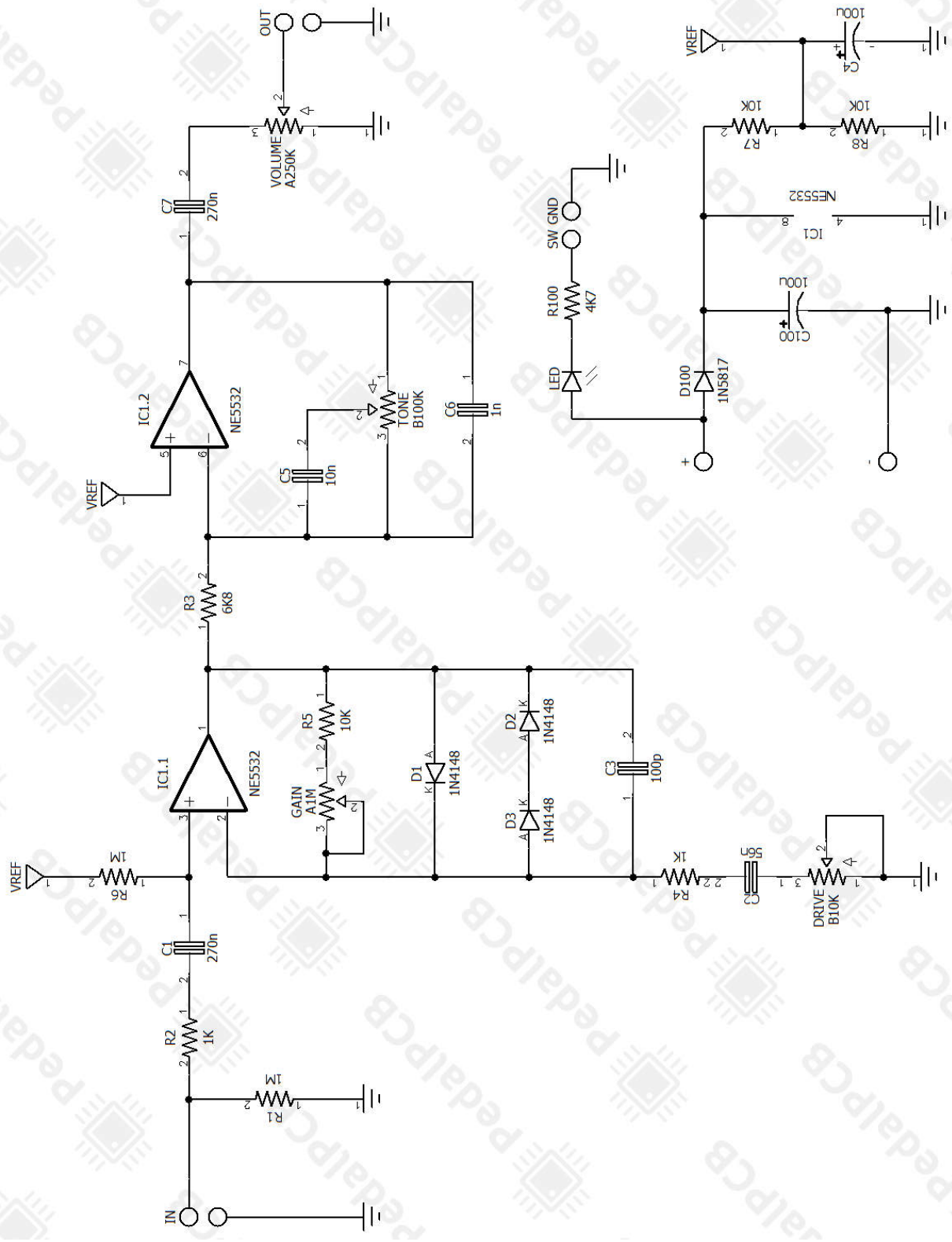
CONTROLS AND FEATURES

- Volume
- Gain
- Tone
- Drive

All trademarks and registered trademarks are the property of their respective owners. The company, product, and service names used in this web site are for identification purposes only. Use of these names, logos, and brands does not imply endorsement.

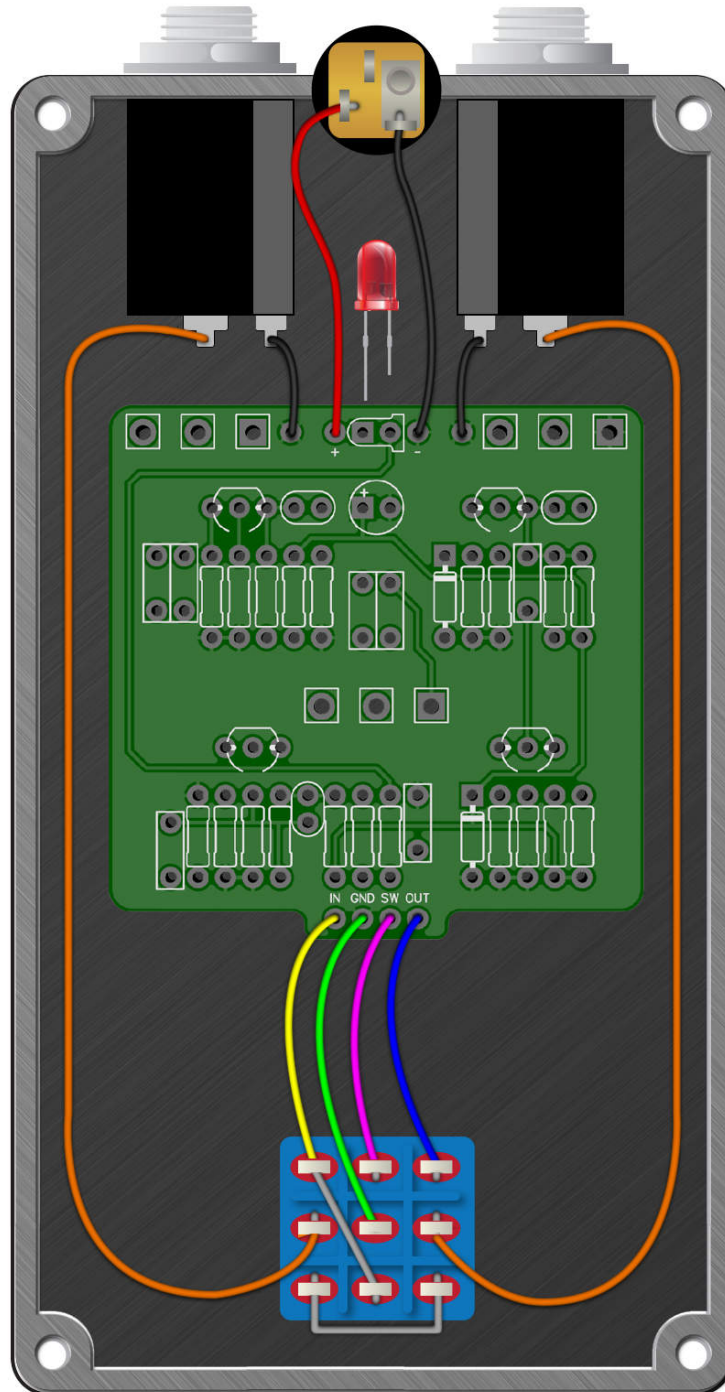
Urushiol Drive

Schematic Diagram



Urushiol Drive

Wiring Diagram



Urushiol Drive

Drill Template
125B enclosure

