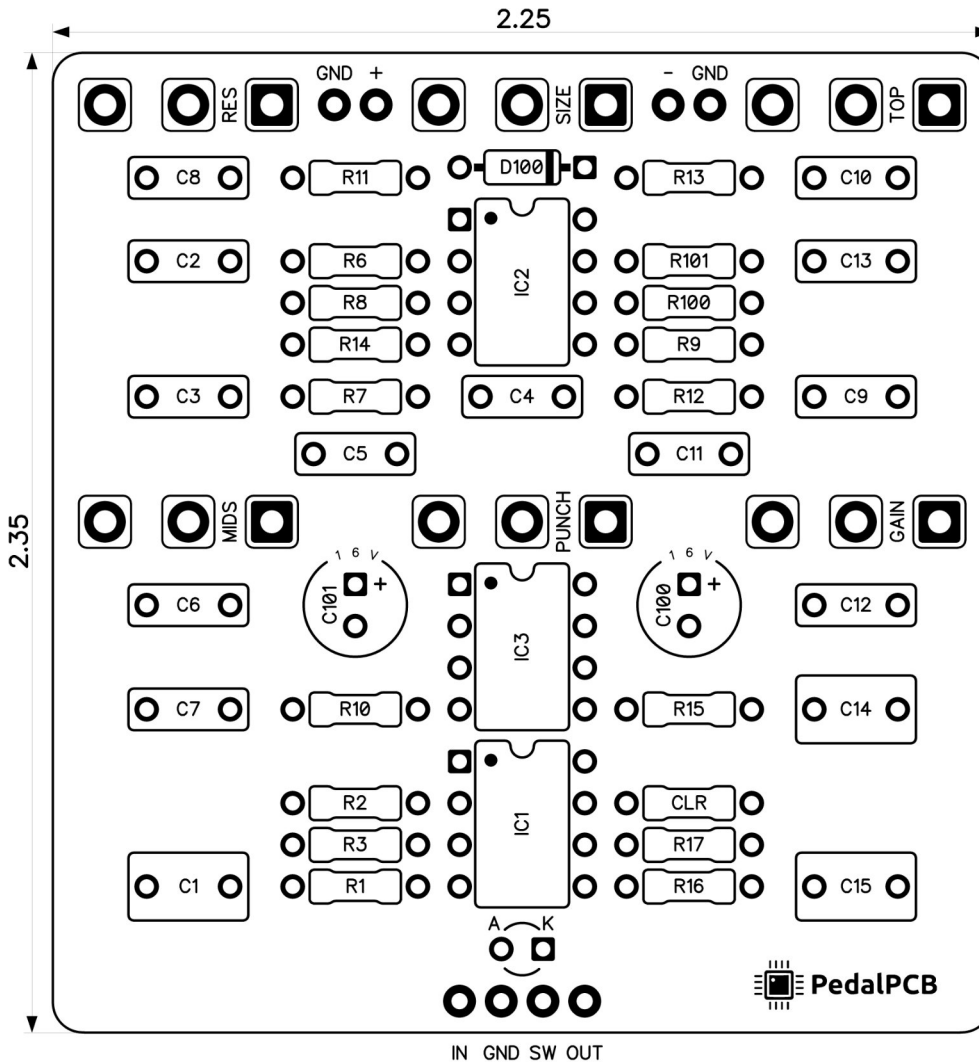




UniCab

Revised 4/23/23



CONTROLS AND FEATURES

- Top
- Size
- Resonance
- Gain
- Punch
- Mids

All trademarks and registered trademarks are the property of their respective owners. The company, product, and service names used in this web site are for identification purposes only. Use of these names, logos, and brands does not imply endorsement.

LOCATION	VALUE	TYPE	NOTES
R1	1M	Resistor, 1/4W	
R2	1M	Resistor, 1/4W	
R3	10K	Resistor, 1/4W	
R6	1K	Resistor, 1/4W	
R7	22K	Resistor, 1/4W	
R8	10K	Resistor, 1/4W	
R9	4K7	Resistor, 1/4W	
R10	10K	Resistor, 1/4W	
R11	1K	Resistor, 1/4W	
R12	4K7	Resistor, 1/4W	
R13	100K	Resistor, 1/4W	
R14	15K	Resistor, 1/4W	
R15	10K	Resistor, 1/4W	
R16	10K	Resistor, 1/4W	
R17	100K	Resistor, 1/4W	
R100	33K	Resistor, 1/4W	
R101	33K	Resistor, 1/4W	
CLR	4K7	Resistor, 1/4W	* LED current limiting resistor
C1	470n	Film capacitor, 7.2 x 5.0mm	
C2	100n	Film capacitor, 7.2 x 2.5mm	
C3	100n	Film capacitor, 7.2 x 2.5mm	
C4	4n7	Film capacitor, 7.2 x 2.5mm	
C5	470p	Ceramic capacitor	
C6	8n2	Film capacitor, 7.2 x 2.5mm	
C7	1n	Film capacitor, 7.2 x 2.5mm	
C8	10n	Film capacitor, 7.2 x 2.5mm	
C9	47n	Film capacitor, 7.2 x 2.5mm	
C10	47n	Film capacitor, 7.2 x 2.5mm	
C11	5n6	Film capacitor, 7.2 x 2.5mm	
C12	18n	Film capacitor, 7.2 x 2.5mm	
C13	3n3	Film capacitor, 7.2 x 2.5mm	
C14	470n	Film capacitor, 7.2 x 5.0mm	
C15	470n	Film capacitor, 7.2 x 5.0mm	
C100	100u	Electrolytic capacitor, 5mm	
C101	22u	Electrolytic capacitor, 5mm	
D100	1N5817	Schottky diode, DO-41	
IC1	TL072	Dual op-amp, DIP8	
IC2	TL072	Dual op-amp, DIP8	
IC3	TL072	Dual op-amp, DIP8	
TOP	B100K	16mm right-angle PCB mount pot	
SIZE	A500K	16mm right-angle PCB mount pot	
RESONANCE	B100K	16mm right-angle PCB mount pot	
GAIN	A100K	16mm right-angle PCB mount pot	
PUNCH	B100K	16mm right-angle PCB mount pot	
MIDS	A10K	16mm right-angle PCB mount pot	

