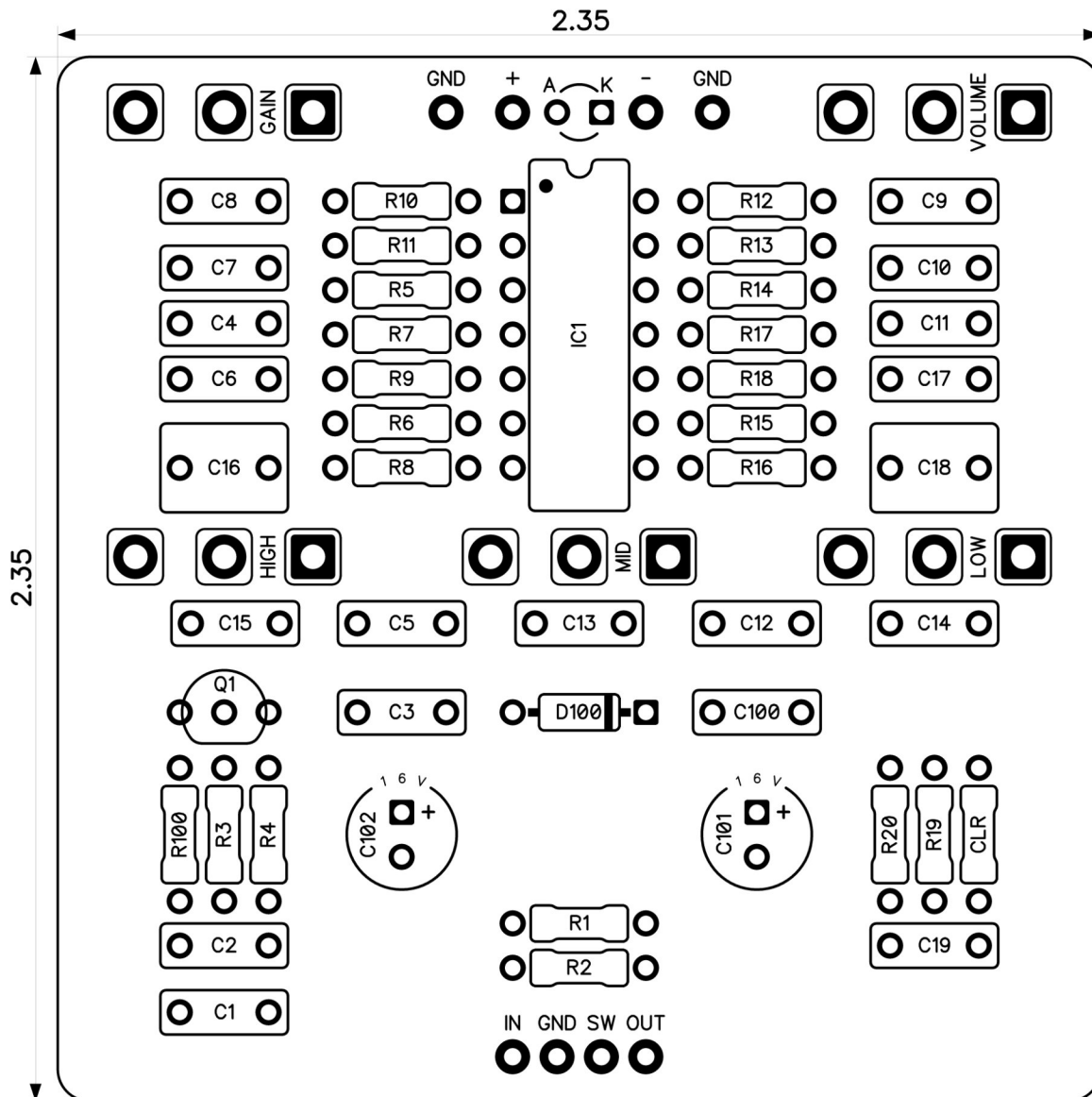


PedalPCB

UWotM8 Distortion

Revised 3/5/24



CONTROLS AND FEATURES

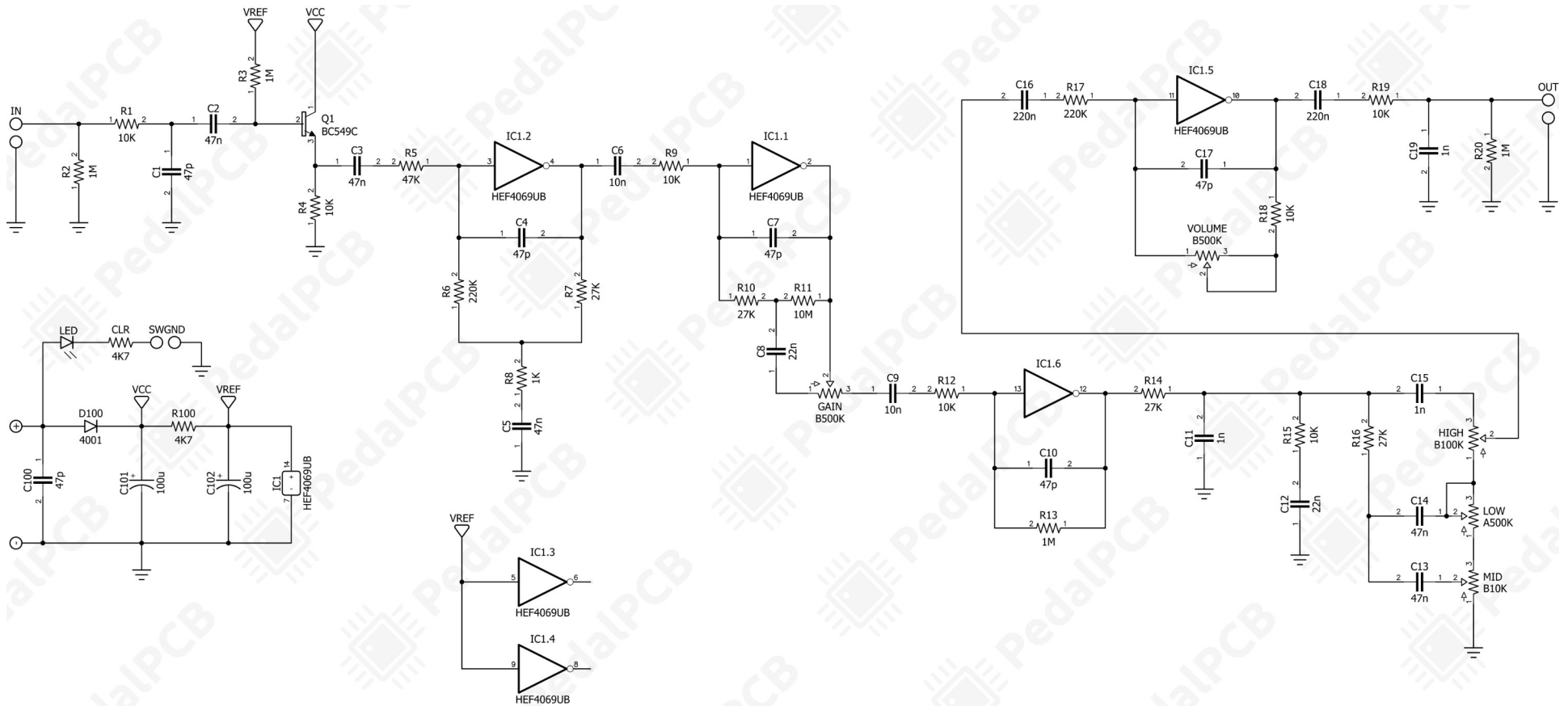
- Volume
- Gain
- Low
- Mid
- High

All trademarks and registered trademarks are the property of their respective owners. The company, product, and service names used in this web site are for identification purposes only. Use of these names, logos, and brands does not imply endorsement.

LOCATION	VALUE	TYPE	NOTES
R1	10K	Resistor, 1/4W	
R2	1M	Resistor, 1/4W	
R3	1M	Resistor, 1/4W	
R4	10K	Resistor, 1/4W	
R5	47K	Resistor, 1/4W	
R6	220K	Resistor, 1/4W	
R7	27K	Resistor, 1/4W	
R8	1K	Resistor, 1/4W	
R9	10K	Resistor, 1/4W	
R10	27K	Resistor, 1/4W	
R11	10M	Resistor, 1/4W	
R12	10K	Resistor, 1/4W	
R13	1M	Resistor, 1/4W	
R14	27K	Resistor, 1/4W	
R15	10K	Resistor, 1/4W	
R16	27K	Resistor, 1/4W	
R17	220K	Resistor, 1/4W	
R18	10K	Resistor, 1/4W	
R19	10K	Resistor, 1/4W	
R20	1M	Resistor, 1/4W	
R100	4K7	Resistor, 1/4W	
CLR	4K7	Resistor, 1/4W	* LED current limiting resistor
C1	47p	Ceramic capacitor	
C2	47n	Film capacitor, 7.2 x 2.5mm	
C3	47n	Film capacitor, 7.2 x 2.5mm	
C4	47p	Ceramic capacitor	
C5	47n	Film capacitor, 7.2 x 2.5mm	
C6	10n	Film capacitor, 7.2 x 2.5mm	
C7	47p	Ceramic capacitor	
C8	22n	Film capacitor, 7.2 x 2.5mm	
C9	10n	Film capacitor, 7.2 x 2.5mm	
C10	47p	Ceramic capacitor	
C11	1n	Film capacitor, 7.2 x 2.5mm	
C12	22n	Film capacitor, 7.2 x 2.5mm	
C13	47n	Film capacitor, 7.2 x 2.5mm	
C14	47n	Film capacitor, 7.2 x 2.5mm	
C15	1n	Film capacitor, 7.2 x 2.5mm	
C16	220n	Film capacitor, 7.2 x 5.0mm	
C17	47p	Ceramic capacitor	
C18	220n	Film capacitor, 7.2 x 5.0mm	
C19	1n	Film capacitor, 7.2 x 2.5mm	
C100	47p	Ceramic capacitor	
C101	100u	Electrolytic capacitor, 5mm	
C102	100u	Electrolytic capacitor, 5mm	
D100	1N4001	Standard recovery diode, DO-41	
Q1	BC549C	BJT transistor, NPN TO-92	
IC1	HEF4069UB	CMOS Unbuffered Hex Inverter	
VOLUME	B500K	16mm right-angle PCB mount pot	
GAIN	B500K	16mm right-angle PCB mount pot	
LOW	A500K	16mm right-angle PCB mount pot	
MID	B10K	16mm right-angle PCB mount pot	
HIGH	B100K	16mm right-angle PCB mount pot	

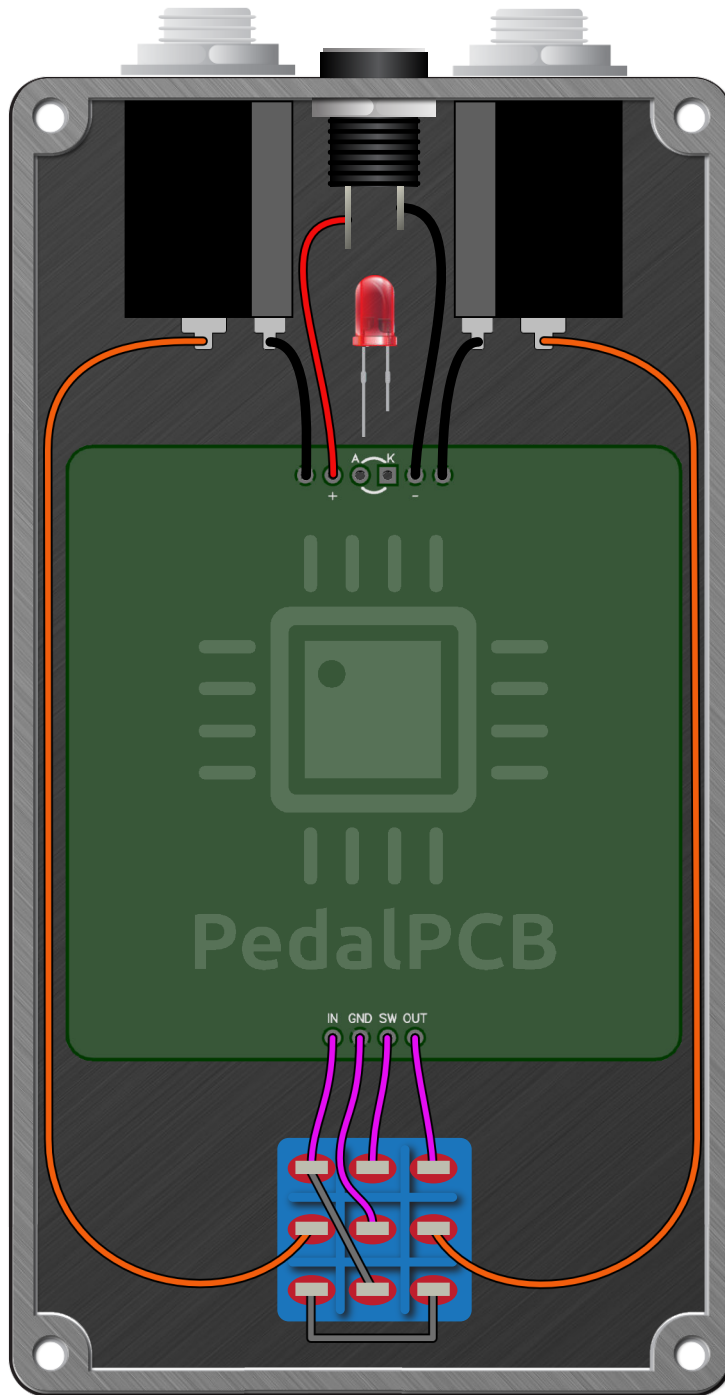
UWotM8 Distortion

Schematic Diagram



UWotM8 Distortion

Wiring Diagram



UWotM8 Distortion

Drill Template
125B Enclosure

