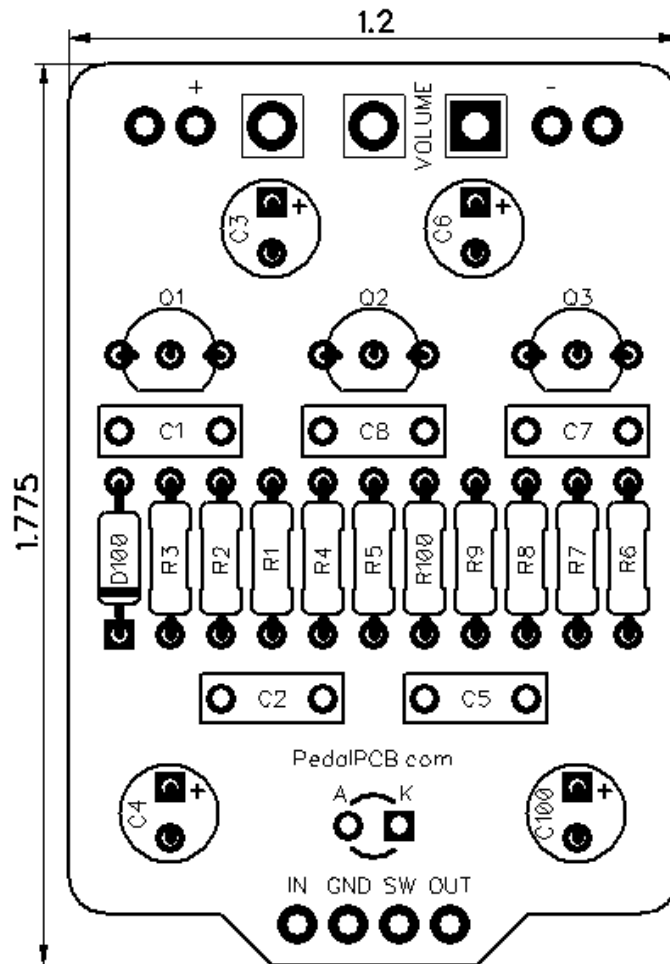


# PedalPCB

## Two Sticks of Derm

Revision 05.04.20



### Controls

- Volume

All trademarks and registered trademarks are the property of their respective owners. The company, product, and service names used in this web site are for identification purposes only. Use of these names, logos, and brands does not imply endorsement.

# Two Sticks of Derm

## Parts List

### RESISTORS (1/4W)

R1	1M
R2	100K
R3	470K
R4	4K7
R5	51K
R6	100K
R7	470K
R8	4K7
R9	51K
R100	4K7

### CAPACITORS

C1	100n
C2	220p
C3	1u
C4	10u
C5	100n
C6	10u
C7	100n
C8	100n
C100	47u

### TRANSISTORS

Q1	2N3904
Q2	2N3904
Q3	2N3904

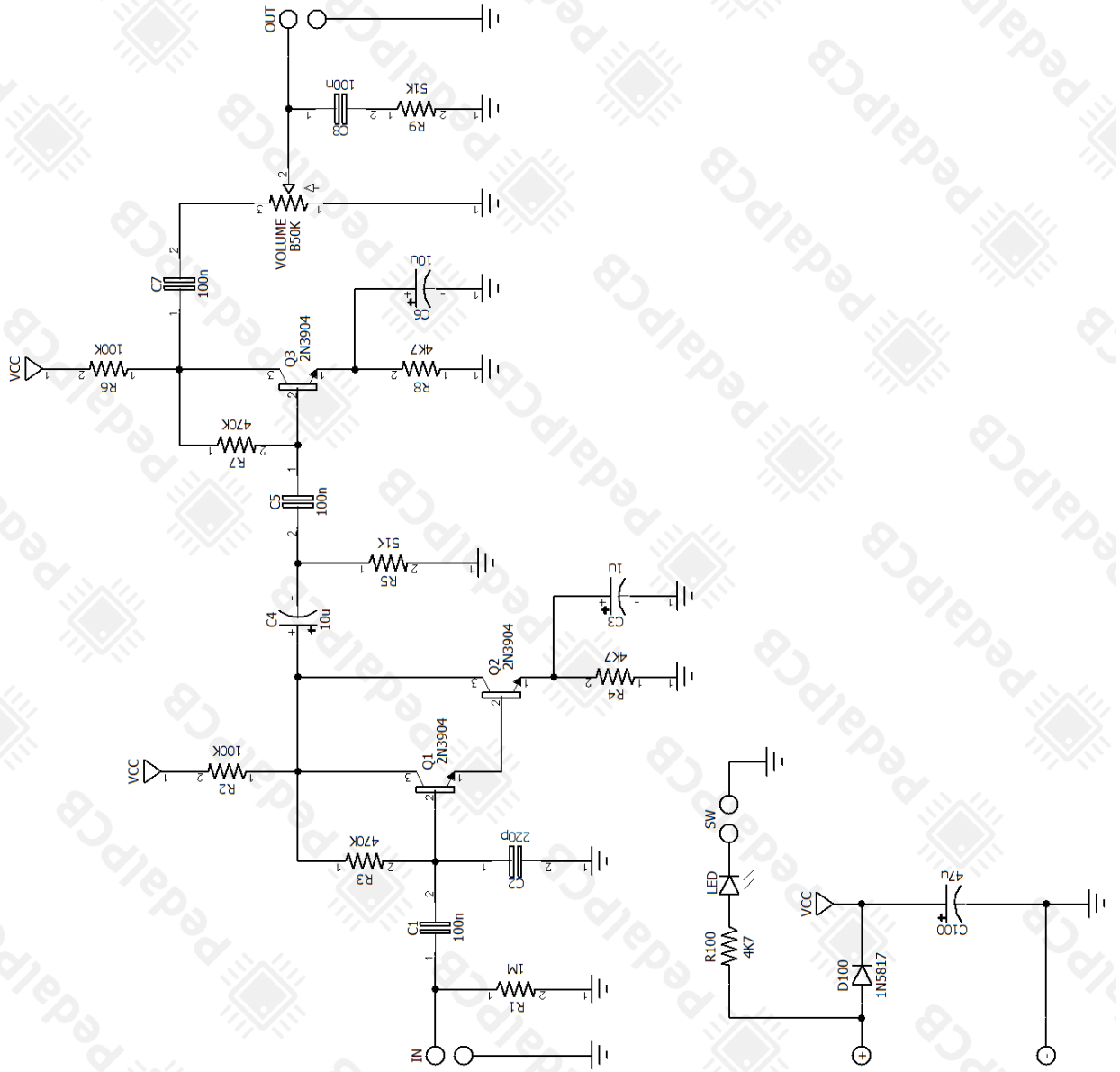
### DIODES

D100	1N5817
------	--------

### POTENTIOMETERS

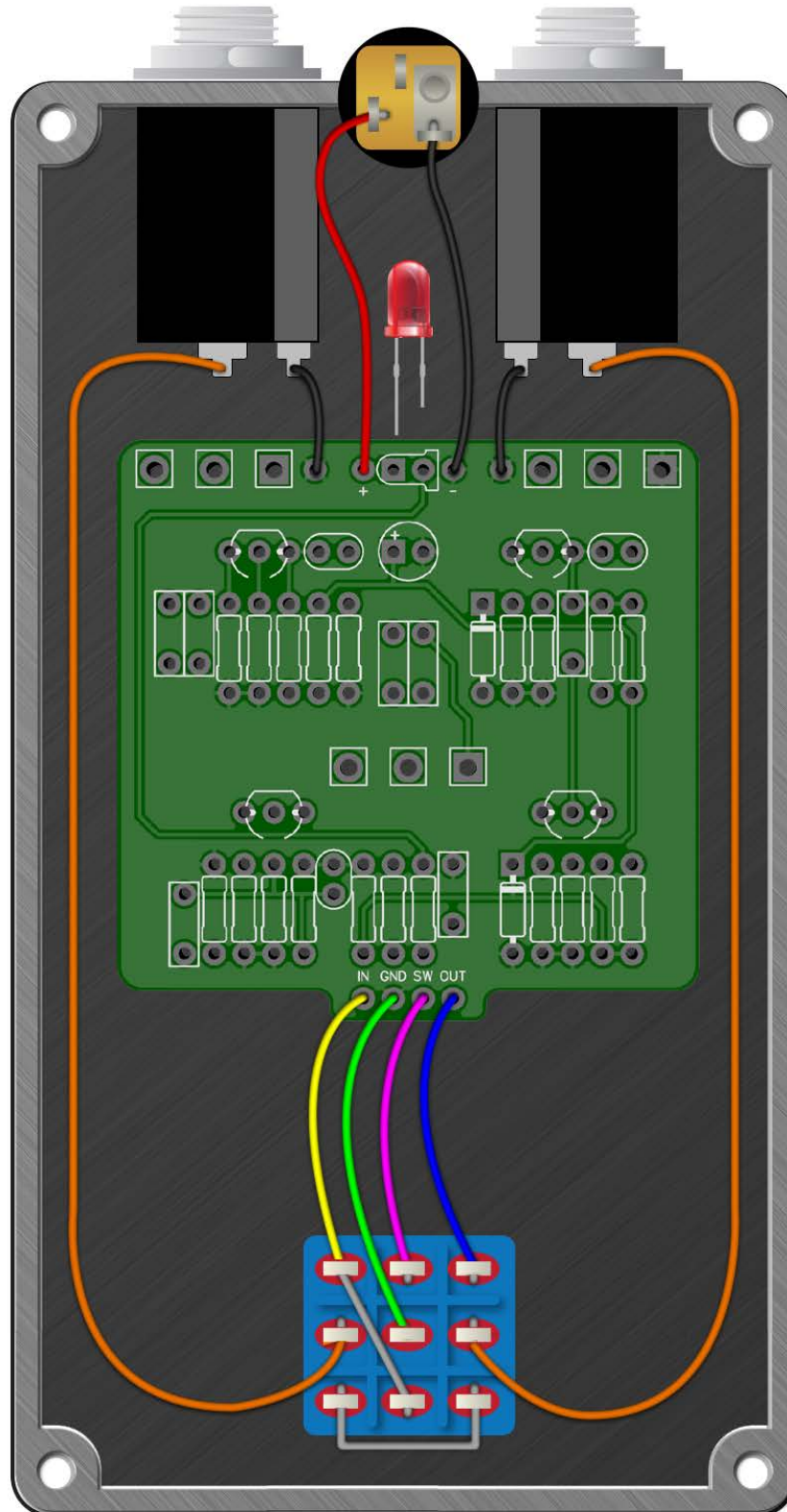
VOLUME	B50K
--------	------

# Two Sticks of Derm



# Two Sticks of Derm

Wiring Diagram



# Two Sticks of Derm

Drill Template  
125B Enclosure

