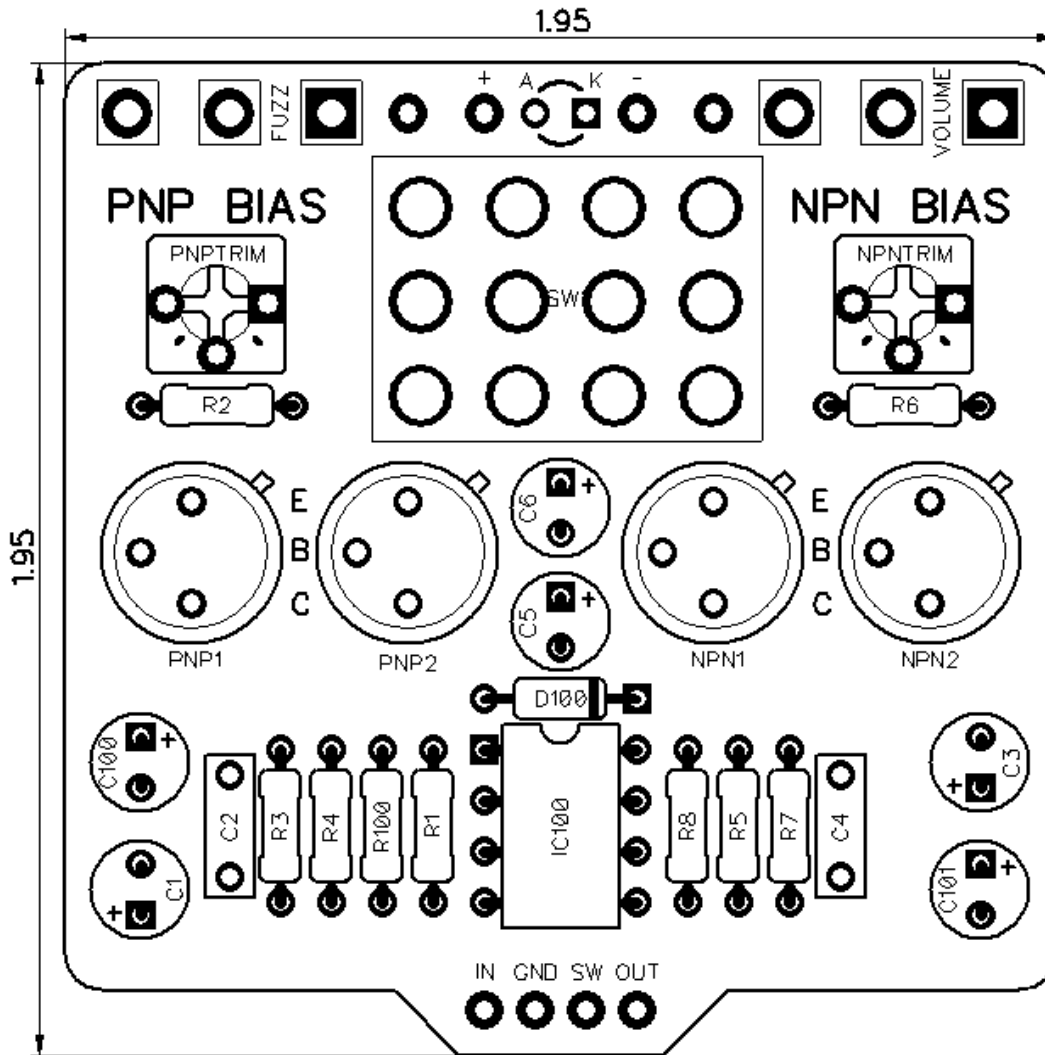


PedalPCB.com

# Twin Face

Revision 04.26.20



### Resistors

R1	33K
R2	1K
R3	470R
R4	100K
R5	33K
R6	1K
R7	470R
R8	100K
R100	4K7

### Capacitors

C1	2u2
C2	10n
C3	20u
C4	10n
C5	20u
C6	2u2
C100	10u
C101	47u

### Semiconductors

PNP1	AC128 (or equivalent)
PNP2	AC128 (or equivalent)
NPN1	BC108 (or equivalent)
NPN2	BC108 (or equivalent)
D100	1N5817
IC100	TC1044SCPA

### Potentiometers

FUZZ	B1K
VOLUME	A500K

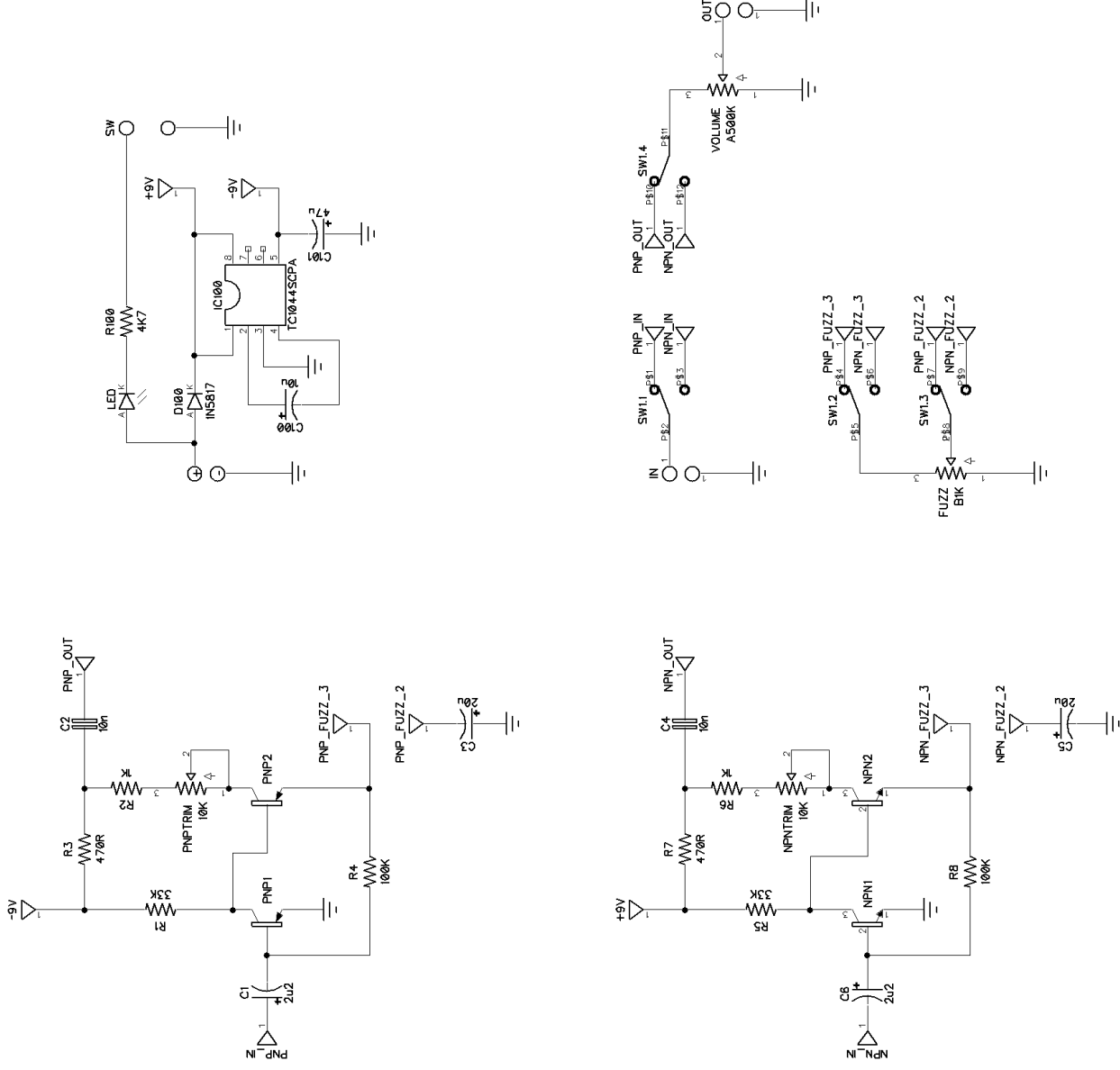
### Trim Pots (3362P Type)

NPNTTRIM	10K
PNPTRIM	10K

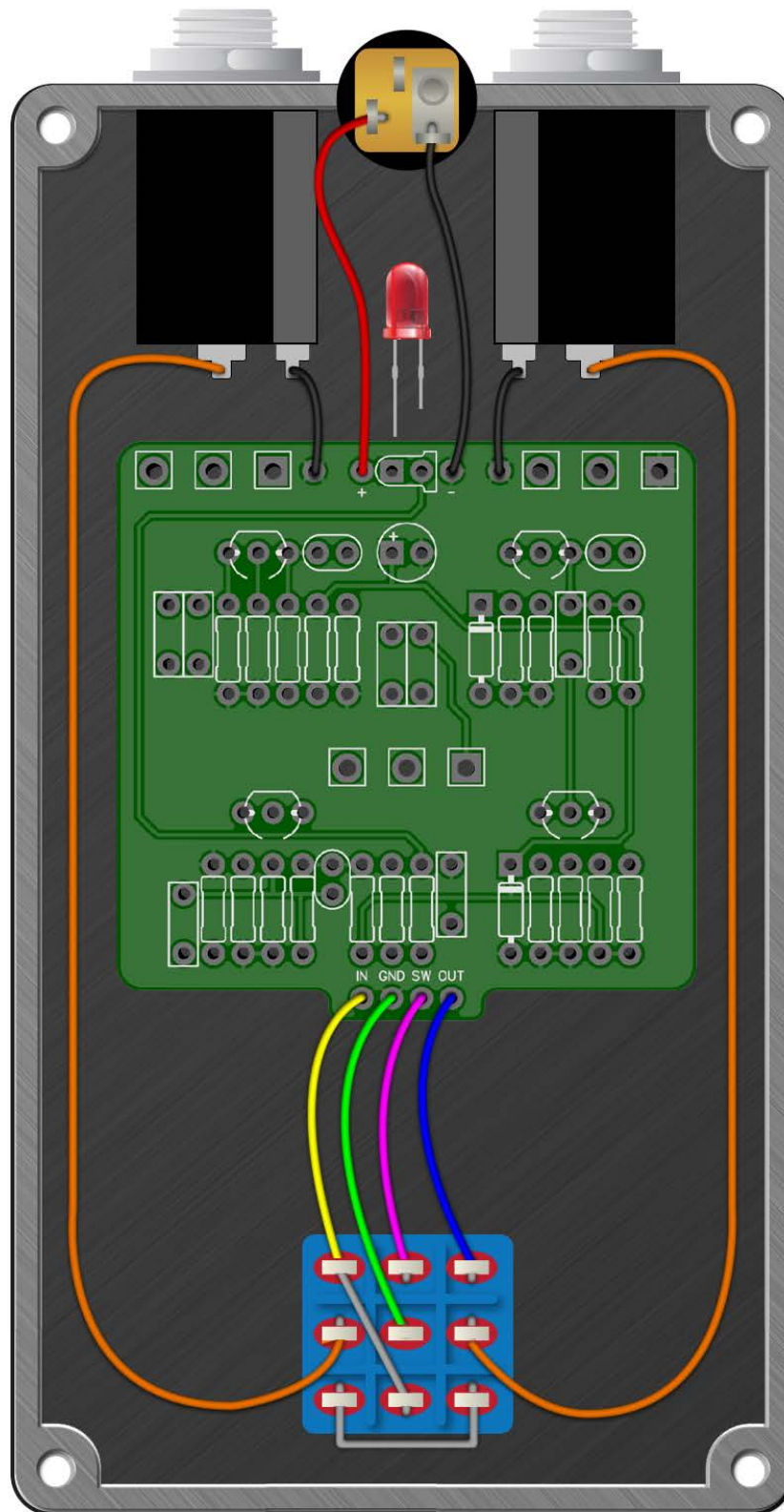
### Switches

SW1	4PDT Toggle (On/On)
-----	---------------------

# Twin Face



# Wiring Diagram



# Drill Template

## 4S125B enclosure with top mounted jacks

