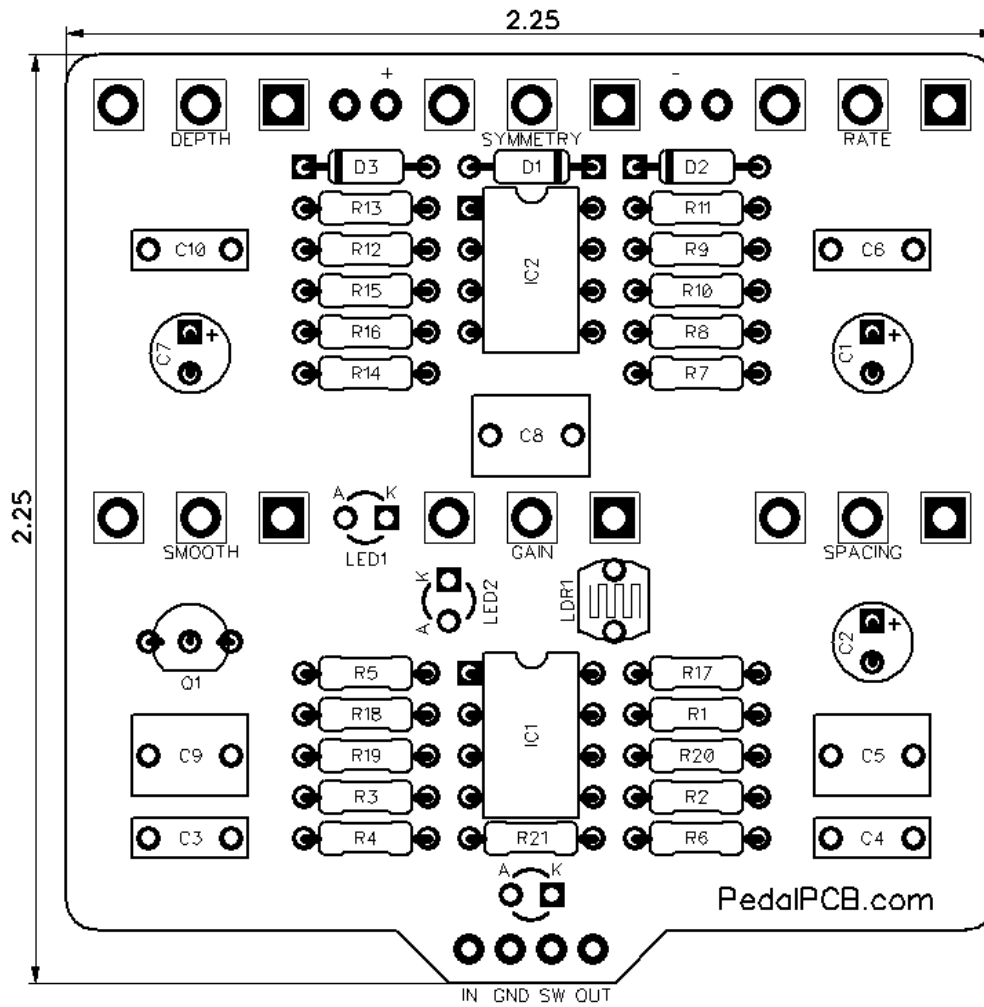




PedalPCB

Trembling Loon

Revision 05.05.20



Controls

- Rate
- Symmetry
- Depth
- Spacing
- Gain
- Smooth

All trademarks and registered trademarks are the property of their respective owners. The company, product, and service names used in this web site are for identification purposes only. Use of these names, logos, and brands does not imply endorsement.

RESISTORS (1/4W)

R1	100K
R2	100K
R3	2M2
R4	1K
R5	47K
R6	1M
R7	220K
R8	470K
R9	220K
R10	220K
R11	2K7
R12	330R
R13	1K
R14	1K
R15	1K
R16	1K
R17	150K
R18	47K
R19	1K
R20	470K
R21	4K7

CAPACITORS

C1	100u
C2	10u
C3	100n
C4	330p
C5	1u FILM
C6	10n
C7	10u
C8	1u FILM
C9	1u FILM
C10	100n

INTEGRATED CIRCUITS

IC1	TL072
IC2	TL022

TRANSISTORS

Q1	2N5088
----	--------

DIODES

D1	1N5817
D2	1N4148
D3	1N4148

LED1	3mm Red LED
LED2	3mm Red LED

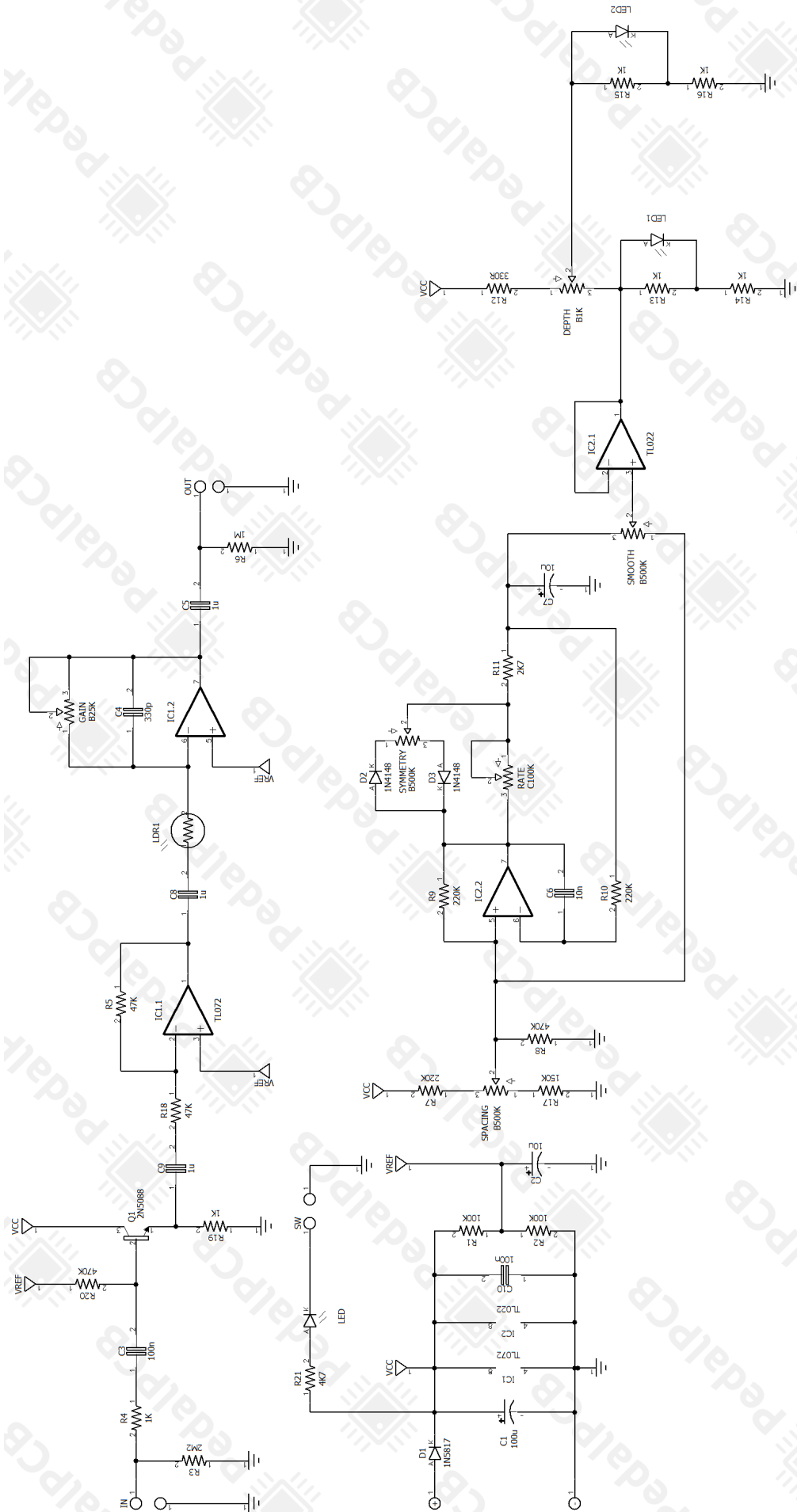
POTENTIOMETERS

RATE	C100K
SYMMETRY	B500K
DEPTH	B1K
SPACING	B500K
GAIN	B25K
SMOOTH	B500K

OPTICAL

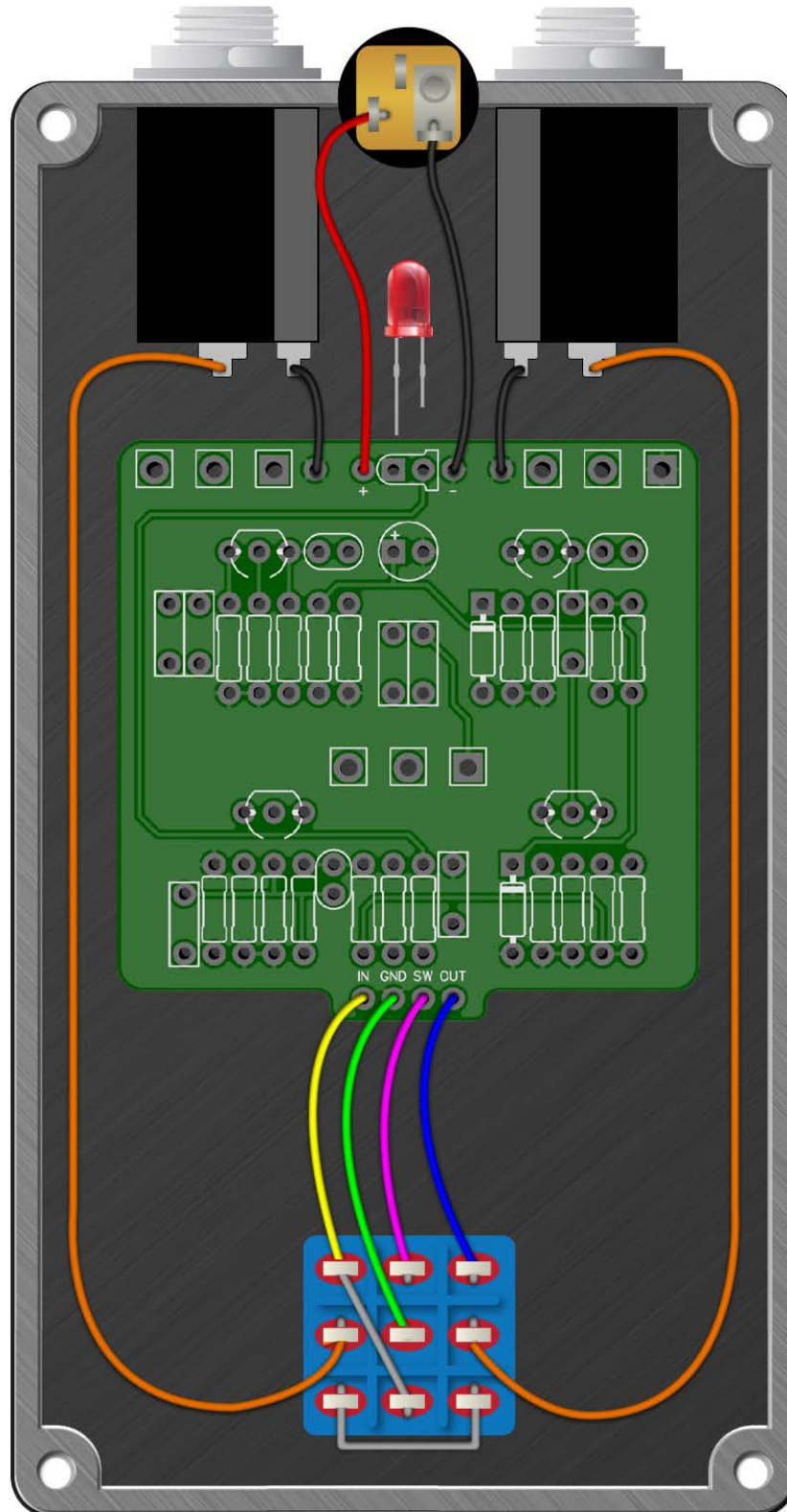
LDR1	GL5516 LDR
------	------------

Trembling Loon



Trembling Loon

Wiring Diagram



Trembling Loon

Drill Template
125B Enclosure

