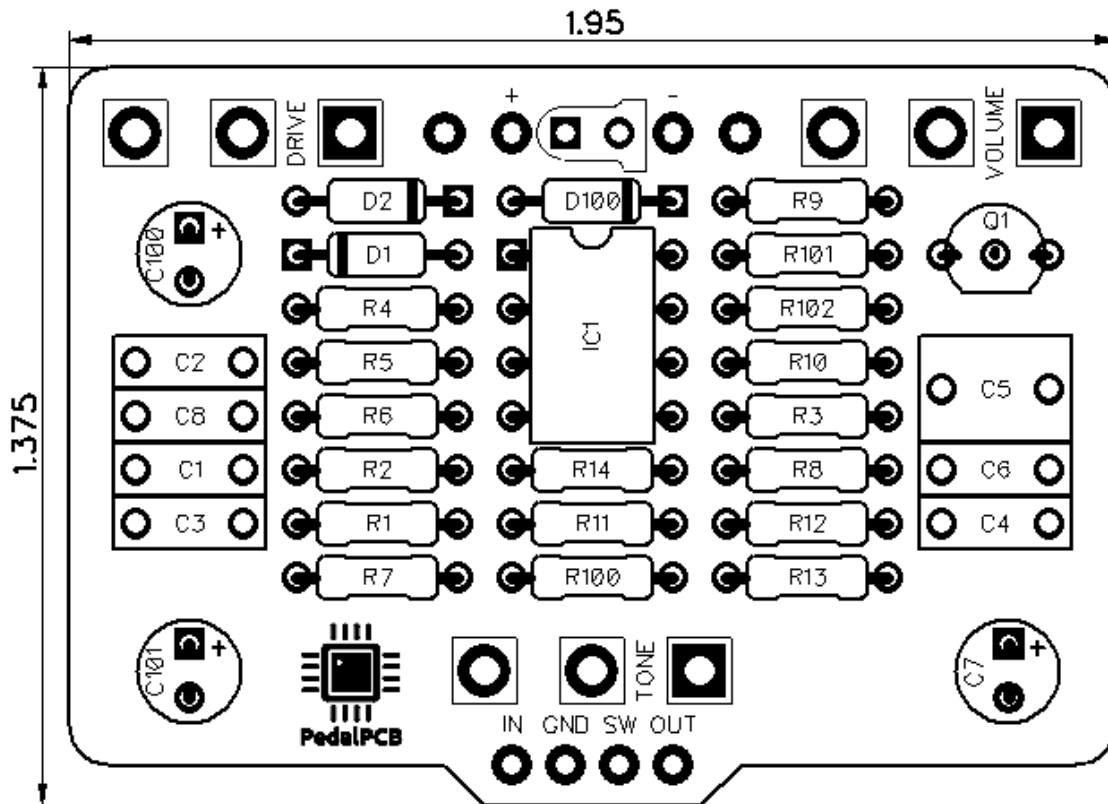




# PedalPCB

## Tower Overdrive

Revision 06.26.18



### Controls

- **Volume** - Controls the overall output volume
- **Tone** - Adjusts the tone from warm to bright
- **Drive** - Controls the amount of overdrive

All trademarks and registered trademarks are the property of their respective owners. The company, product, and service names used in this web site are for identification purposes only. Use of these names, logos, and brands does not imply endorsement.

# Tower Overdrive

## Parts List

**RESISTORS**

R1 1M  
R2 1K  
R3 470K  
R4 18K  
R5 1K  
R6 10K  
R7 1K  
R8 220R  
R9 1K  
R10 510K  
R11 10K  
R12 100R  
R13 100K  
R14 4K7  
R100 4K7  
R101 10K  
R102 10K

**CAPACITORS**

C1 22n  
C2 51p  
C3 220n  
C4 220n  
C5 1u  
C6 100n  
C7 10u  
C8 47n  
C100 10u  
C101 10u

**INTEGRATED CIRCUITS**

IC1 JRC4558

**TRANSISTORS**

Q1 2SC1815

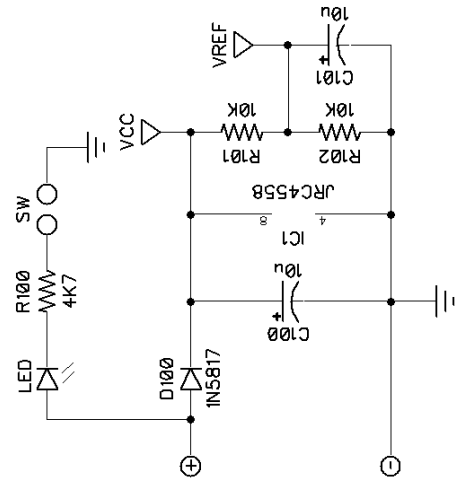
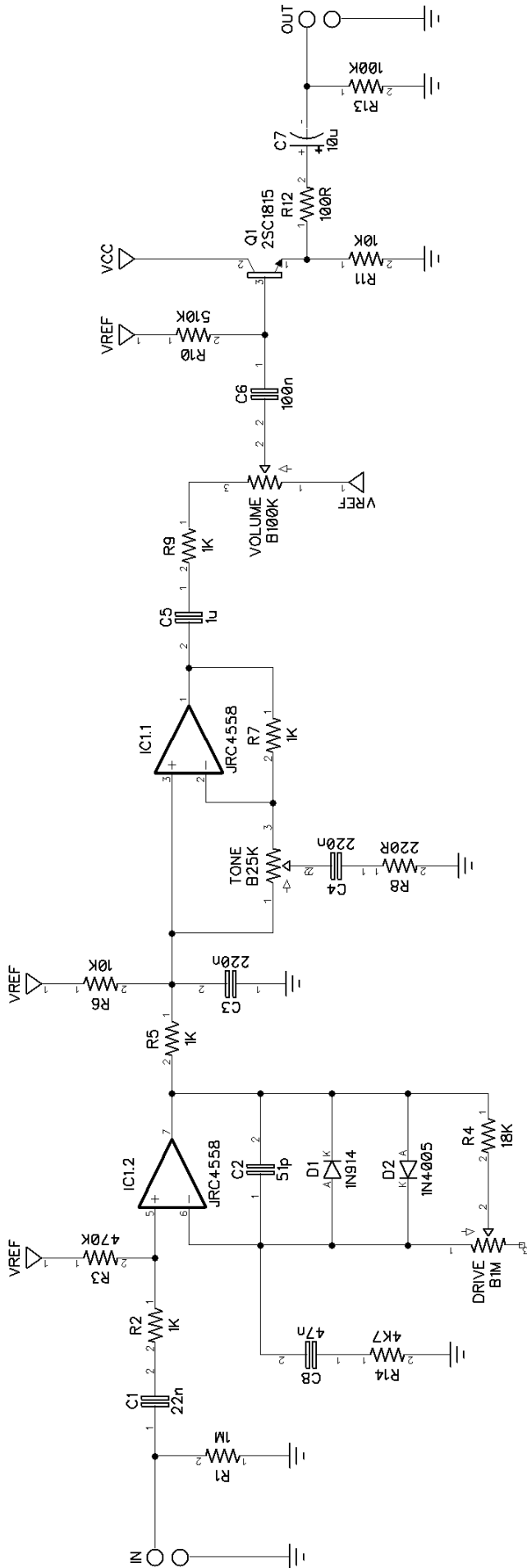
**DIODES**

D1 1N914  
D2 1N4005  
D100 1N5817

**POTENTIOMETERS**

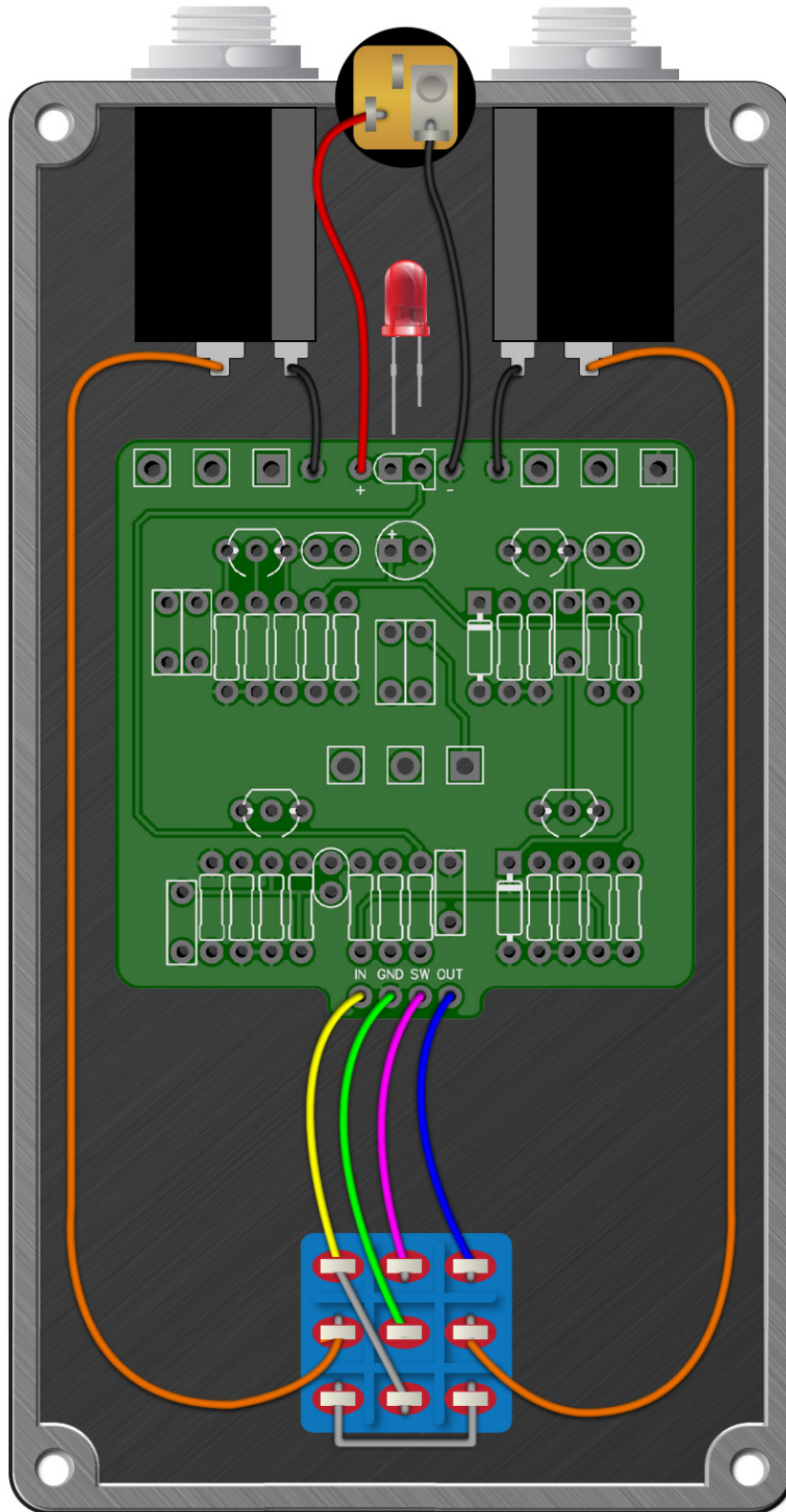
VOLUME B100K  
TONE B25K  
DRIVE B1M

# Tower Overdrive



# Tower Overdrive

Wiring Diagram



# Tower Overdrive

Drill Template  
125B enclosure with top mounted jacks

