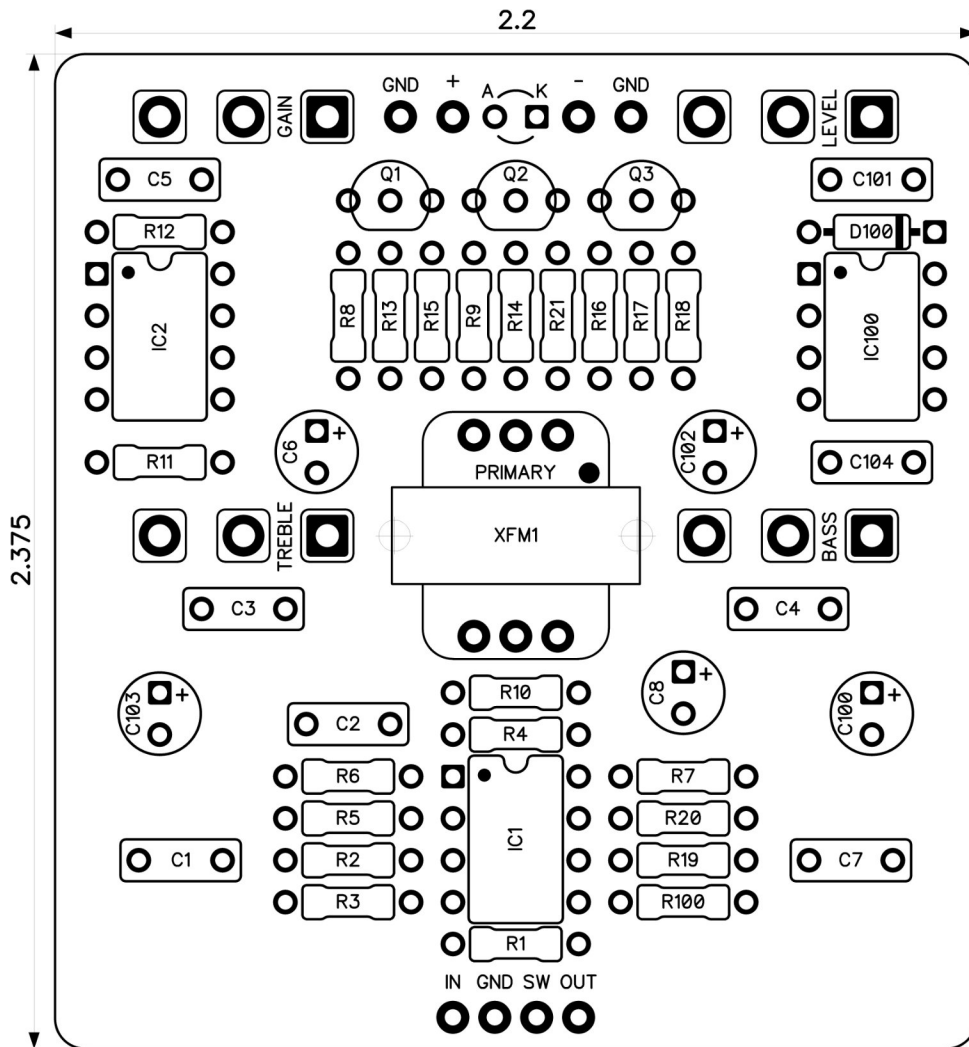




# Topographer Distortion

Revised 12/23/23



## CONTROLS AND FEATURES

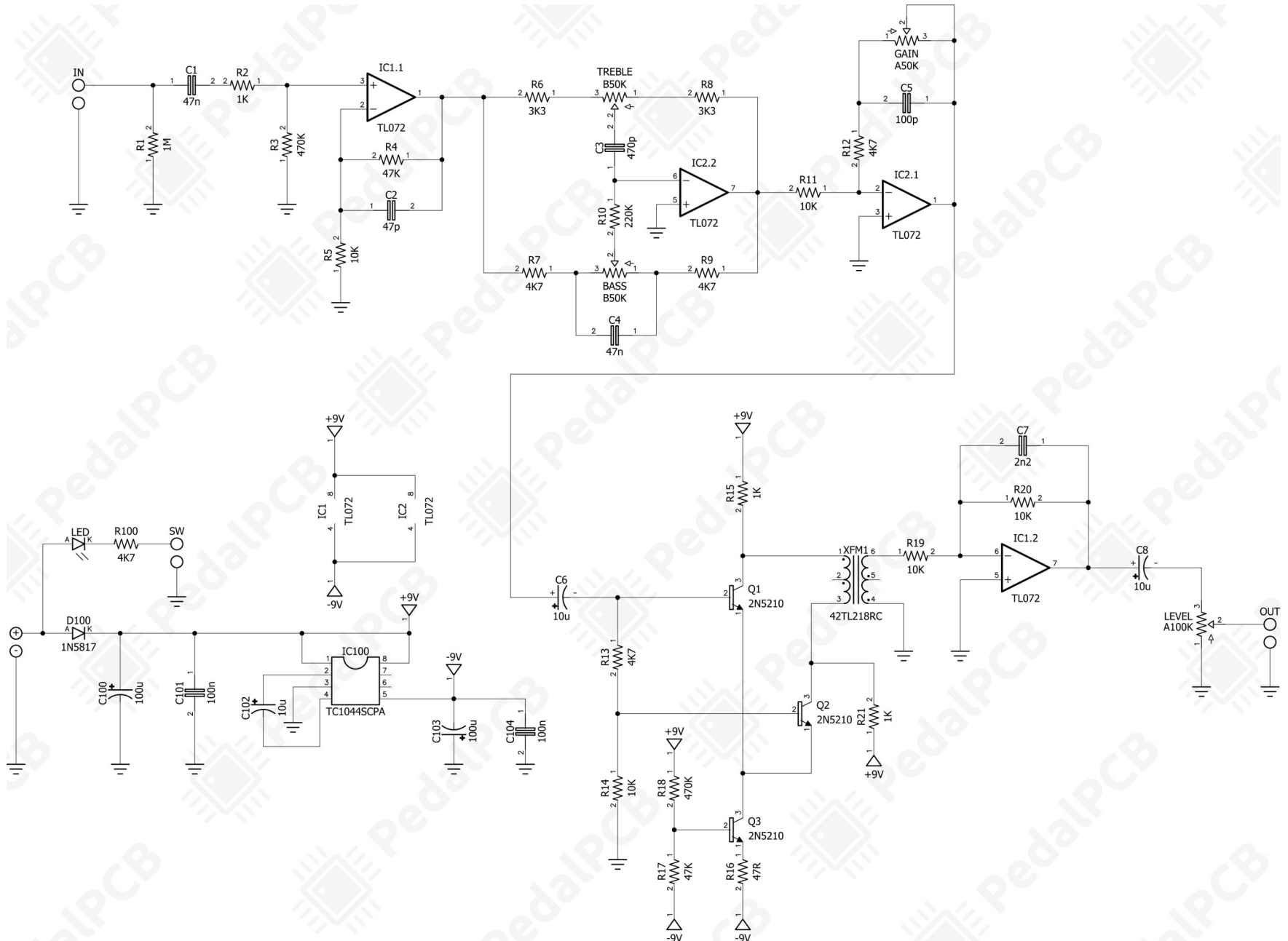
- Level
- Gain
- Bass
- Treble

All trademarks and registered trademarks are the property of their respective owners. The company, product, and service names used in this web site are for identification purposes only. Use of these names, logos, and brands does not imply endorsement.

LOCATION	VALUE	TYPE	NOTES
R1	1M	Resistor, 1/4W	
R2	1K	Resistor, 1/4W	
R3	470K	Resistor, 1/4W	
R4	47K	Resistor, 1/4W	
R5	10K	Resistor, 1/4W	
R6	3K3	Resistor, 1/4W	
R7	4K7	Resistor, 1/4W	
R8	3K3	Resistor, 1/4W	
R9	4K7	Resistor, 1/4W	
R10	220K	Resistor, 1/4W	
R11	10K	Resistor, 1/4W	
R12	4K7	Resistor, 1/4W	
R13	4K7	Resistor, 1/4W	
R14	10K	Resistor, 1/4W	
R15	1K	Resistor, 1/4W	
R16	47R	Resistor, 1/4W	
R17	47K	Resistor, 1/4W	
R18	470K	Resistor, 1/4W	
R19	10K	Resistor, 1/4W	
R20	10K	Resistor, 1/4W	
R21	1K	Resistor, 1/4W	
R100	4K7	Resistor, 1/4W	* LED current limiting resistor
C1	47n	Film capacitor, 7.2 x 2.5mm	
C2	47p	Ceramic capacitor	
C3	470p	Ceramic capacitor	
C4	47n	Film capacitor, 7.2 x 2.5mm	
C5	100p	Ceramic capacitor	
C6	10u	Electrolytic capacitor, 5mm	
C7	2n2	Film capacitor, 7.2 x 2.5mm	
C8	10u	Electrolytic capacitor, 5mm	
C100	100u	Electrolytic capacitor, 5mm	
C101	100n	Film capacitor, 7.2 x 2.5mm	
C102	10u	Electrolytic capacitor, 5mm	
C103	100u	Electrolytic capacitor, 5mm	
C104	100n	Film capacitor, 7.2 x 2.5mm	
D100	1N5817	Schottky diode, DO-41	
Q1	2N5210	BJT transistor, NPN TO-92	
Q2	2N5210	BJT transistor, NPN TO-92	
Q3	2N5210	BJT transistor, NPN TO-92	
IC1	TL072	Dual op-amp, DIP8	
IC2	TL072	Dual op-amp, DIP8	
IC100	TC1044SCPA	Charge pump IC, DIP8	
XFM1	42TL218RC	Audio Transformer	10KCT/10KCT
LEVEL	A100K	16mm right-angle PCB mount pot	
GAIN	A50K	16mm right-angle PCB mount pot	
TREBLE	B50K	16mm right-angle PCB mount pot	
BASS	B50K	16mm right-angle PCB mount pot	

# Topographer Distortion

## Schematic Diagram



# Topographer Distortion

Wiring Diagram



# Topographer Distortion

Drill Template  
125B Enclosure

