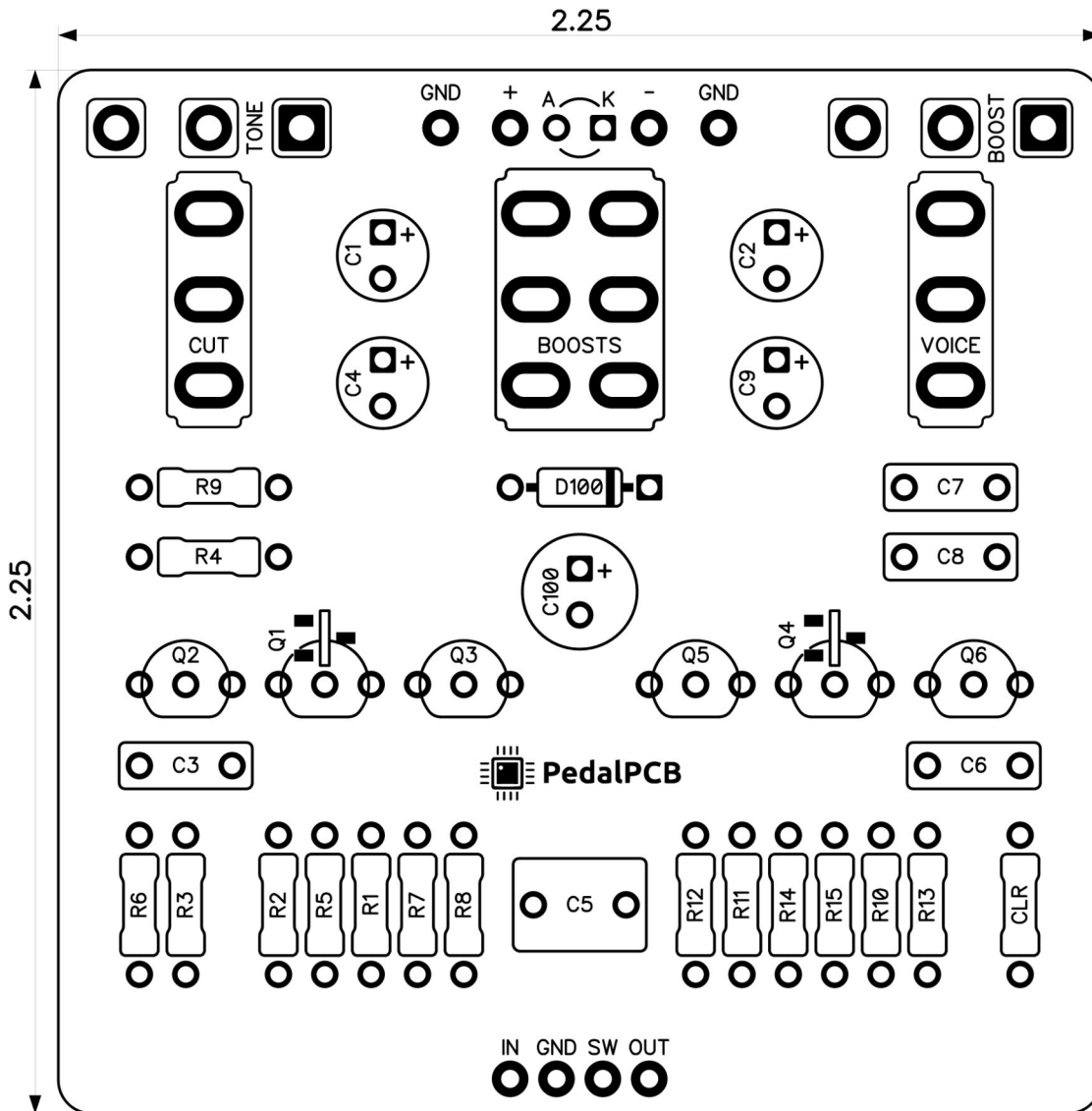


# PedalPCB

## Tone Zester Boost

Revised 4/4/26



### CONTROLS AND FEATURES

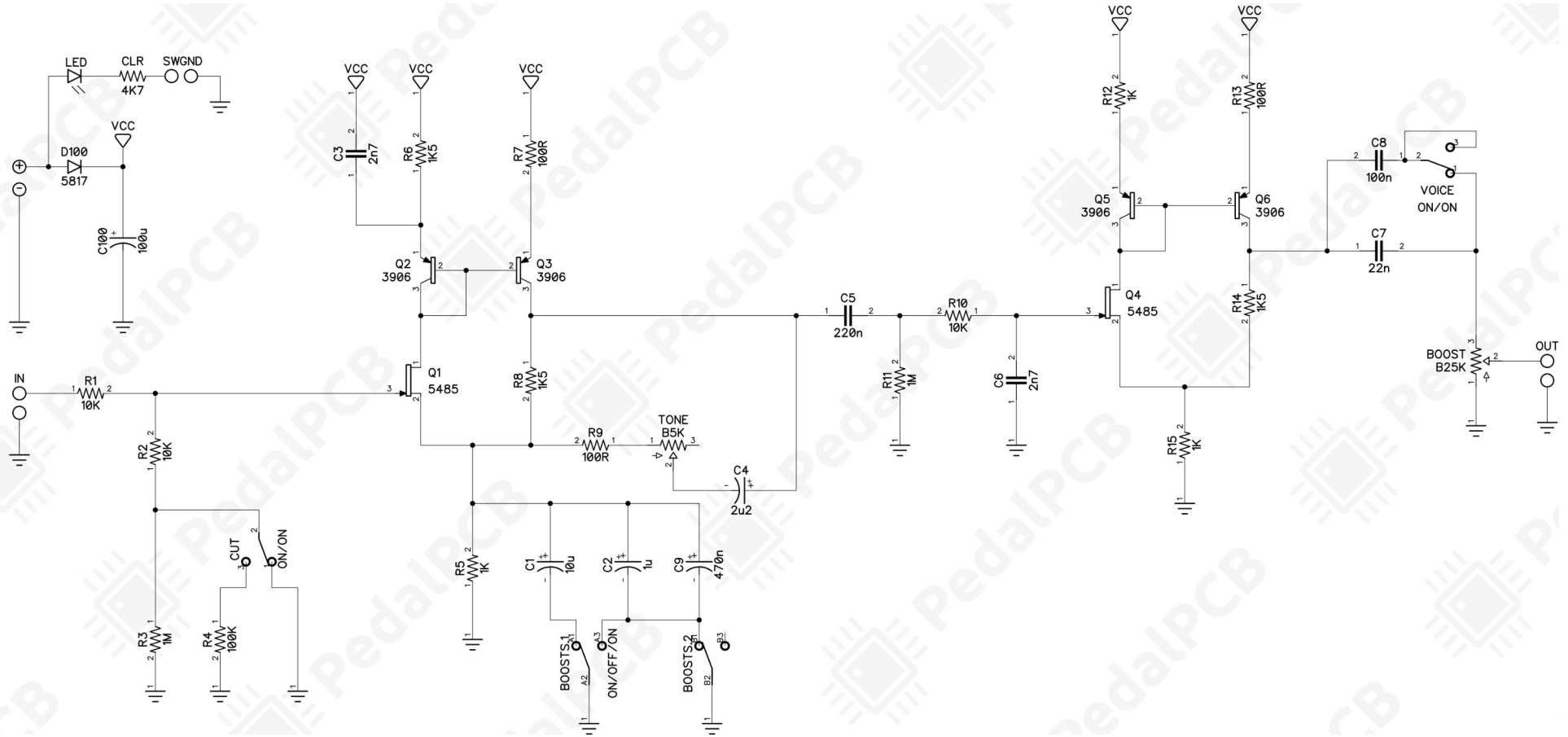
- Boost
- Tone
- Voice (Toggle switch)
- Boosts (Toggle switch)
- Cut (Toggle switch)

All trademarks and registered trademarks are the property of their respective owners. The company, product, and service names used in this web site are for identification purposes only. Use of these names, logos, and brands does not imply endorsement.



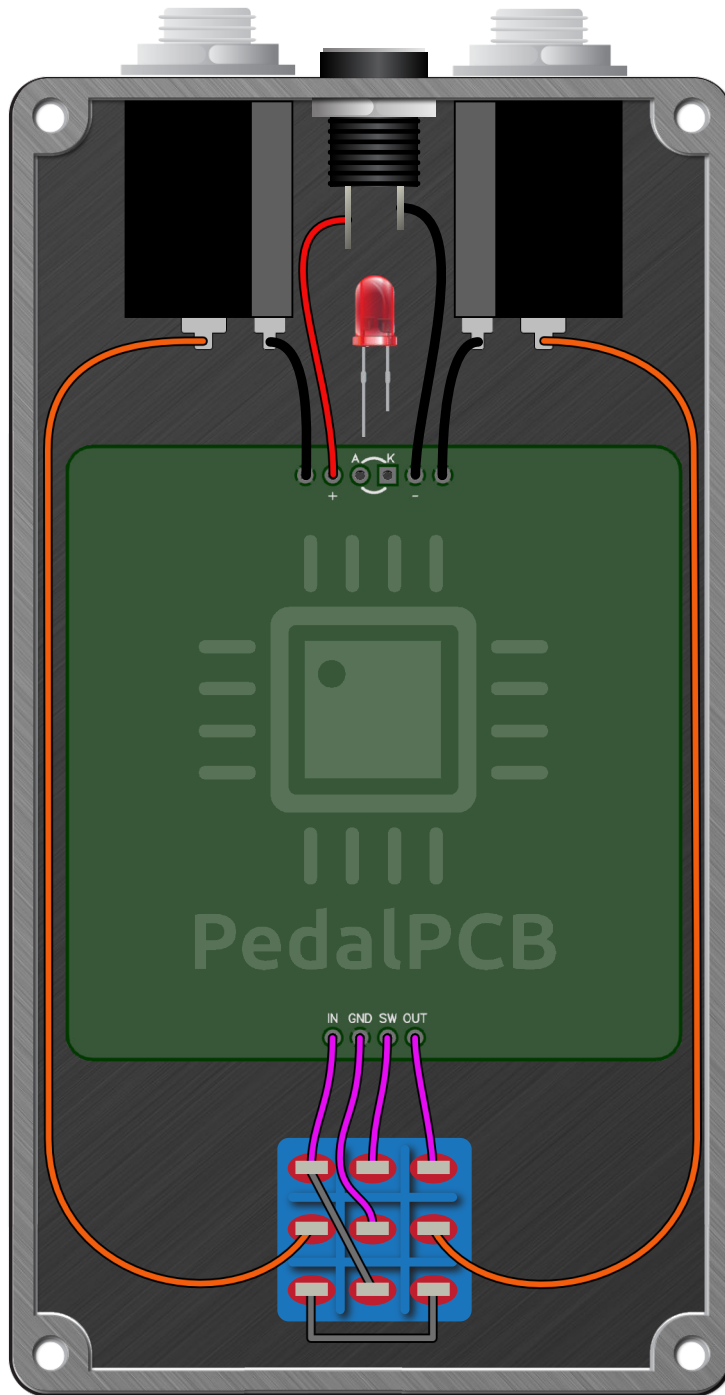
# Tone Zester Boost

Schematic Diagram



# Tone Zester Boost

Wiring Diagram



# Tone Zester Boost

Drill Template  
125B Enclosure

