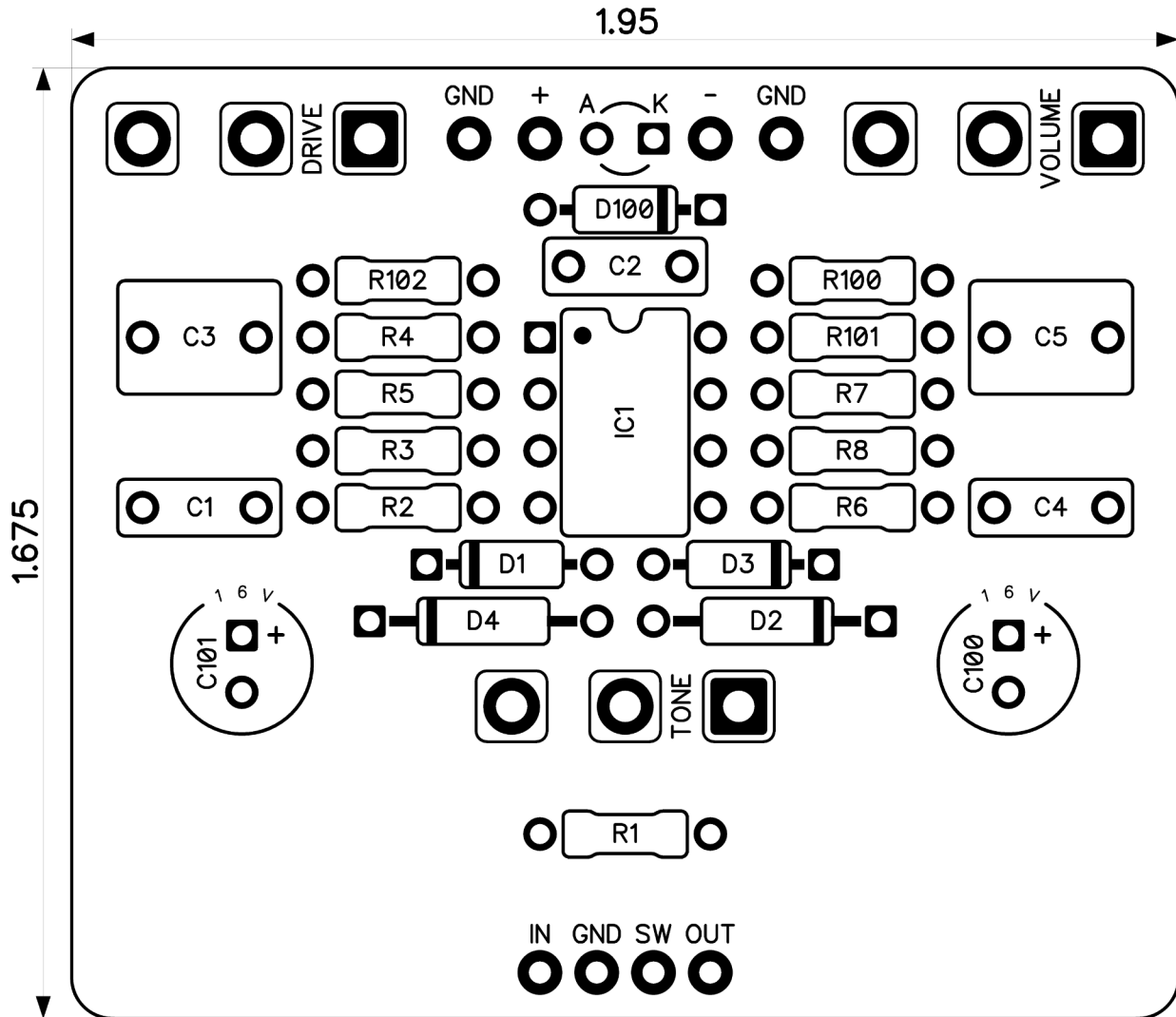


# PedalPCB

## Tellurian Drive

Revised 12/21/22



### CONTROLS AND FEATURES

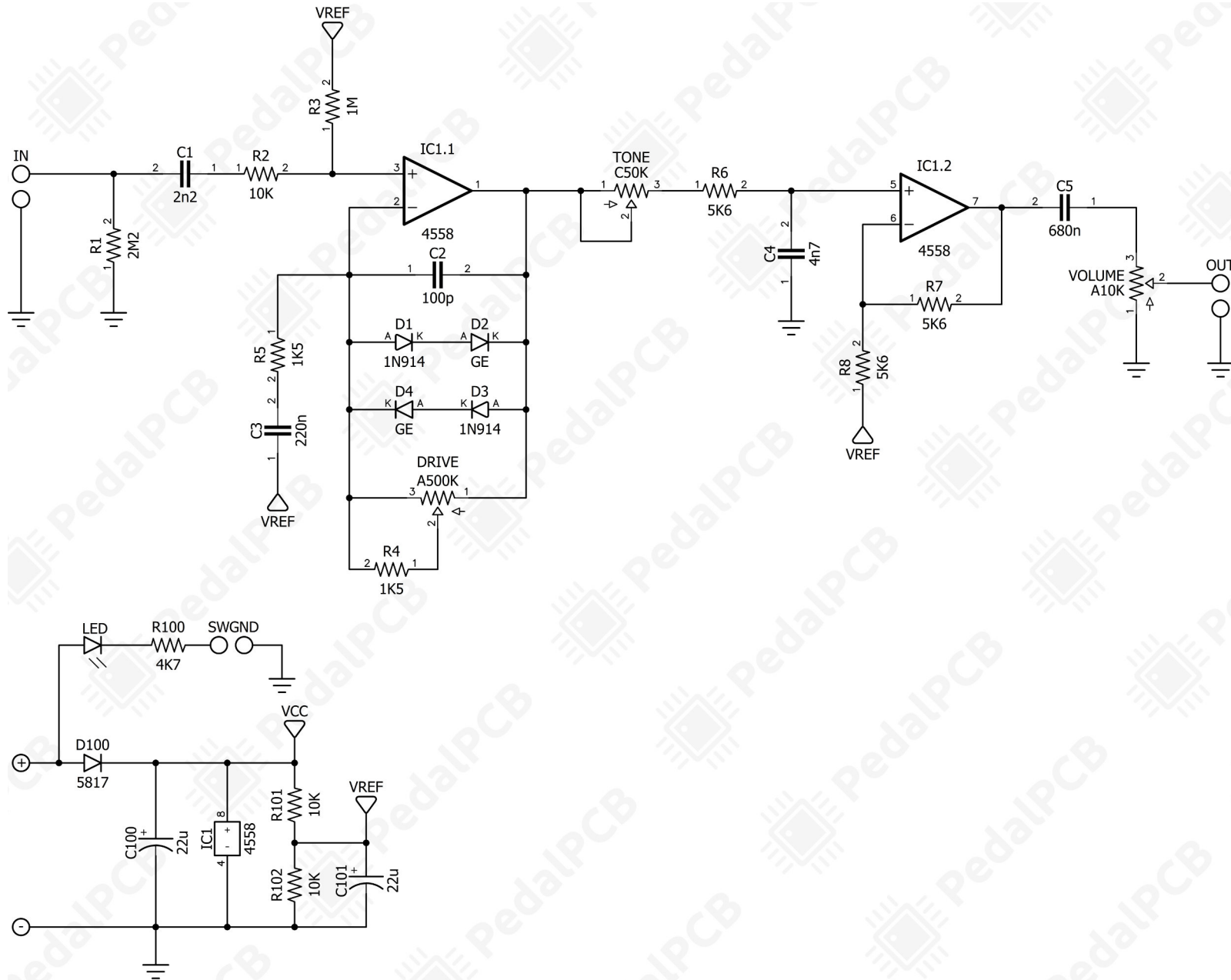
- Volume
- Tone
- Drive

All trademarks and registered trademarks are the property of their respective owners. The company, product, and service names used in this web site are for identification purposes only. Use of these names, logos, and brands does not imply endorsement.

LOCATION	VALUE	TYPE	NOTES
R1	2M2	Resistor, 1/4W	
R2	10K	Resistor, 1/4W	
R3	1M	Resistor, 1/4W	
R4	1K5	Resistor, 1/4W	
R5	1K5	Resistor, 1/4W	
R6	5K6	Resistor, 1/4W	
R7	5K6	Resistor, 1/4W	
R8	5K6	Resistor, 1/4W	
R100	4K7	Resistor, 1/4W	* LED current limiting resistor
R101	10K	Resistor, 1/4W	
R102	10K	Resistor, 1/4W	
C1	2n2	Film capacitor, 7.2 x 2.5mm	
C2	100p	Ceramic capacitor	
C3	220n	Film capacitor, 7.2 x 5.0mm	
C4	4n7	Film capacitor, 7.2 x 2.5mm	
C5	680n	Film capacitor, 7.2 x 5.0mm	
C100	22u	Electrolytic capacitor, 5.0mm	
C101	22u	Electrolytic capacitor, 5.0mm	
D1	1N914	Signal diode, DO-35	
D2	GE	Germanium diode	(1N60P, 1N34A, 1N270, etc)
D3	1N914	Signal diode, DO-35	
D4	GE	Germanium diode	(1N60P, 1N34A, 1N270, etc)y
D100	1N5817	Schottky diode, DO-41	
IC1	JRC4558	Dual op-amp, DIP8	
VOLUME	A10K	16mm right-angle PCB mount pot	
TONE	C50K	16mm right-angle PCB mount pot	
DRIVE	A500K	16mm right-angle PCB mount pot	

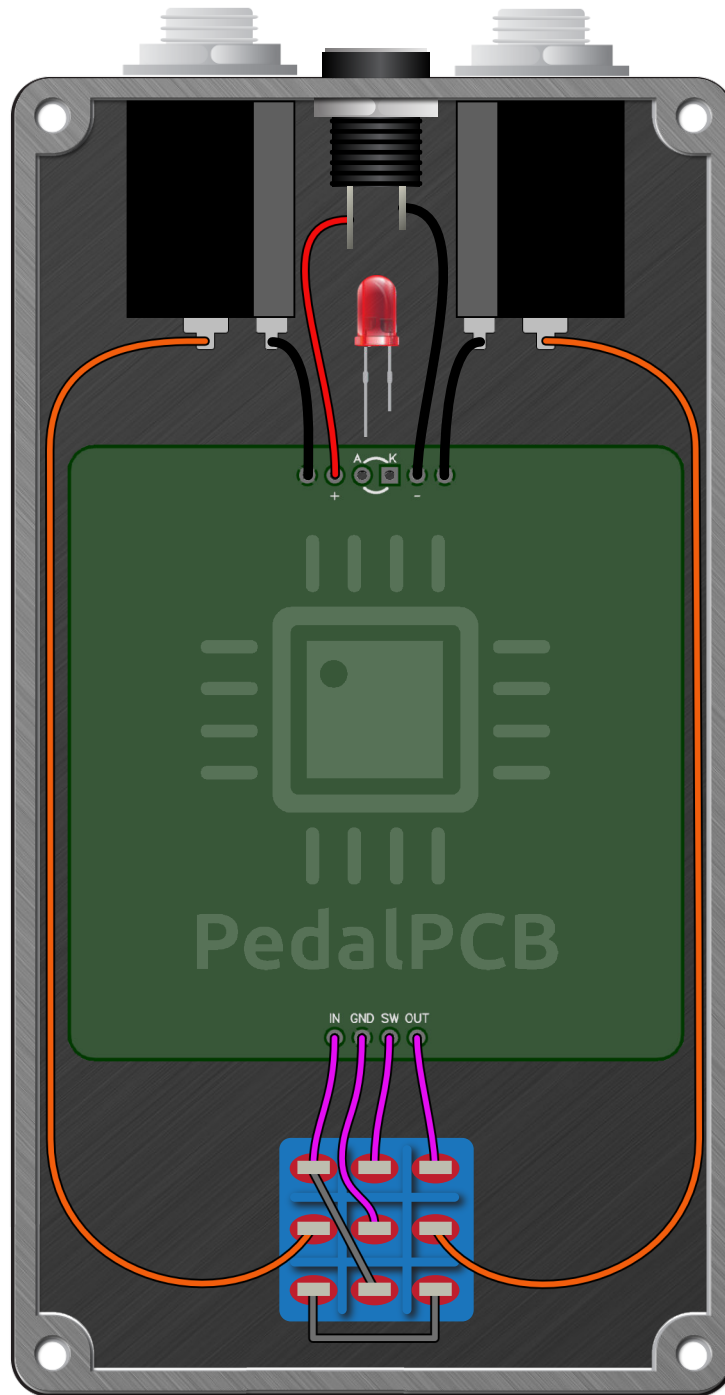
# Tellurian Drive

Schematic Diagram



# Tellurian Drive

Wiring Diagram



# Tellurian Drive

Drill Template  
125B Enclosure

