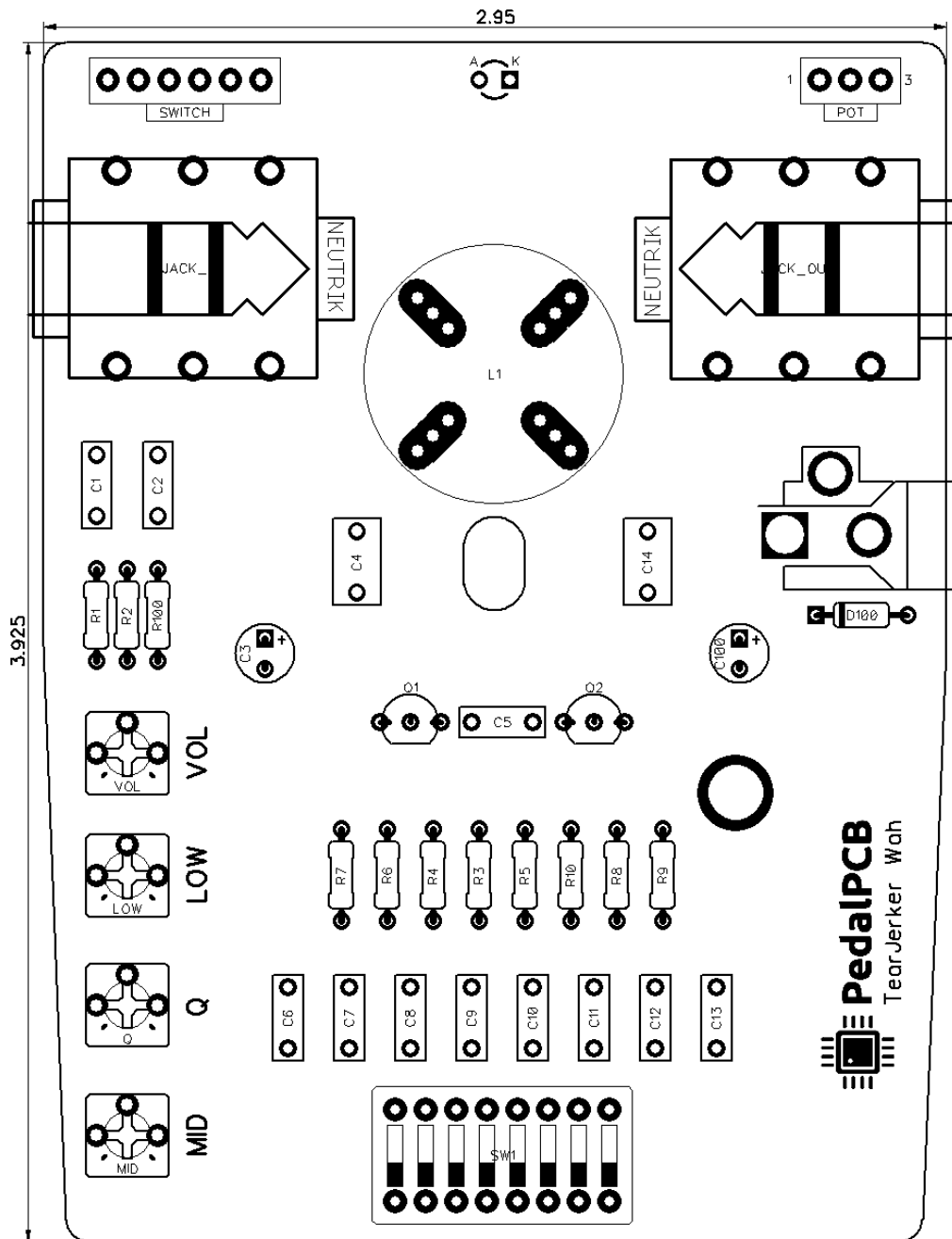




PedalPCB

Tear Jerker Wah

Revision 12.25.19



Controls

- Wah Treadle
- Mid (Trim)
- Q (Trim)
-

Trim Pots

- Vol
- Low
- Q
- Mid

Dipswitches

- Voicing

All trademarks and registered trademarks are the property of their respective owners. The company, product, and service names used in this web site are for identification purposes only. Use of these names, logos, and brands does not imply endorsement.

RESISTORS (1/4W)

R1 2M2
R2 33K
R3 22K
R4 1K
R5 470K
R6 82K
R7 20K
R8 470K
R9 1K
R10 10K
R100 4K7

INDUCTORS

L1 500mH

CAPACITORS

C1 22p
C2 10n
C3 4u7
C4 220n
C5 100p
C6 220p
C7 470p
C8 1n
C9 2n2
C10 4n7
C11 10n
C12 22n
C13 47n
C14 220n
C100 220u

DIP SWITCHES

SW1 Dip Switch (8-position)

SWITCHES

3PDT Footswitch (Latching)

TRANSISTORS

Q1 MPSA18
Q2 MPSA18

DIODES

D100 1N5817

POTENTIOMETERS

WAH 100K

TRIM POTS

VOL 50K
LOW 500R
MID 2K
Q 100K

JACKS (PCB MOUNTED)

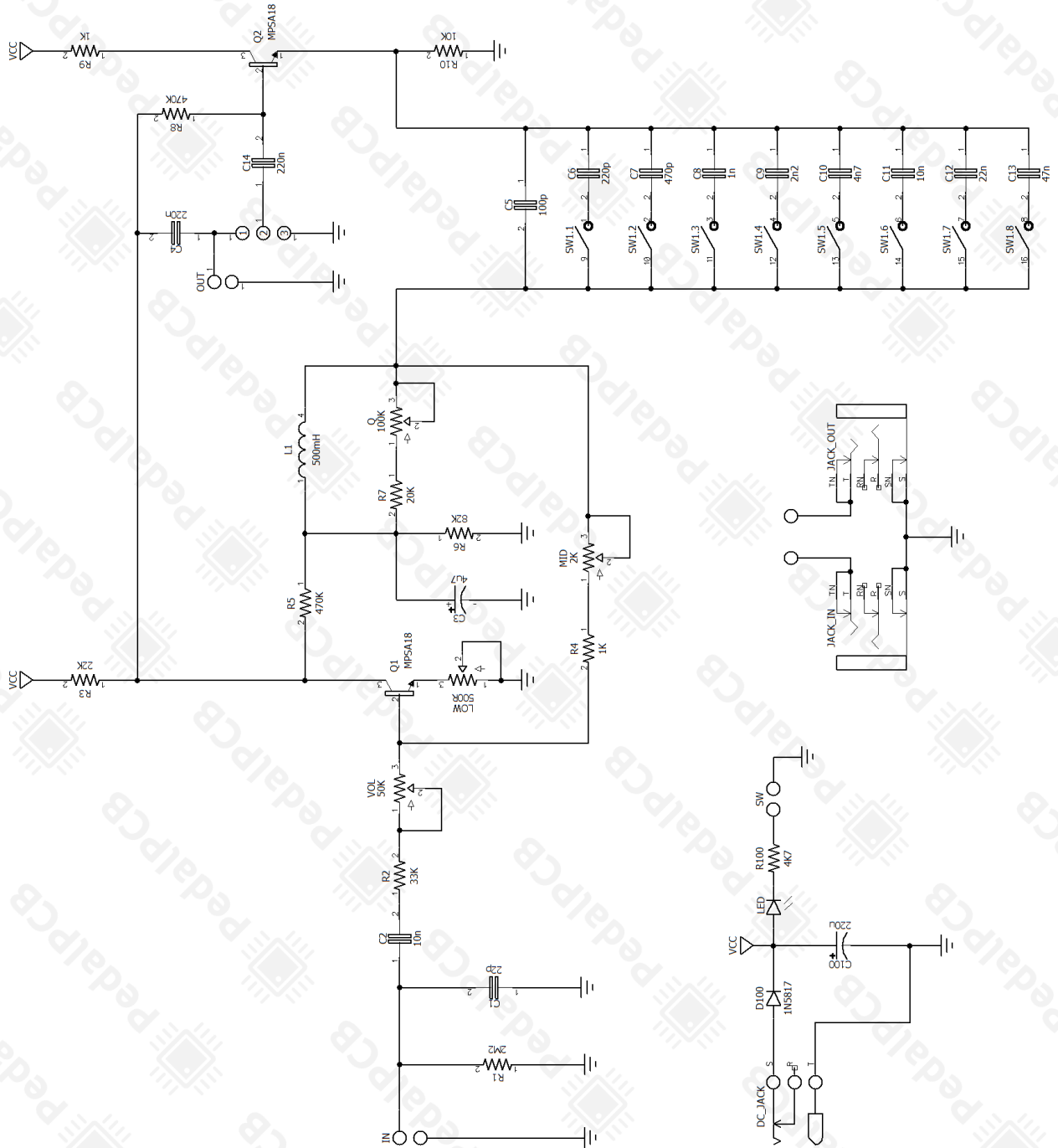
DC_JACK 2.1mm Barrel Style DC jack
<https://www.taydaelectronics.com/dc-power-jack-2-1mm-barrel-type-pcb-mount.html>

JACK_IN 6.35mm 1/4" PCB mounted jack
JACK_OUT <https://www.taydaelectronics.com/6-35mm-1-4-stereo-insulated-switched-socket-jack-pcb.html>

ENCLOSURE

Designed for a Crybaby-style enclosure with DC jack
<http://smallbear-electronics.mybigcommerce.com/expression-pedal-shell-kit/>

Tear Jerker Wah



Tear Jerker Wah

Wiring Diagram

