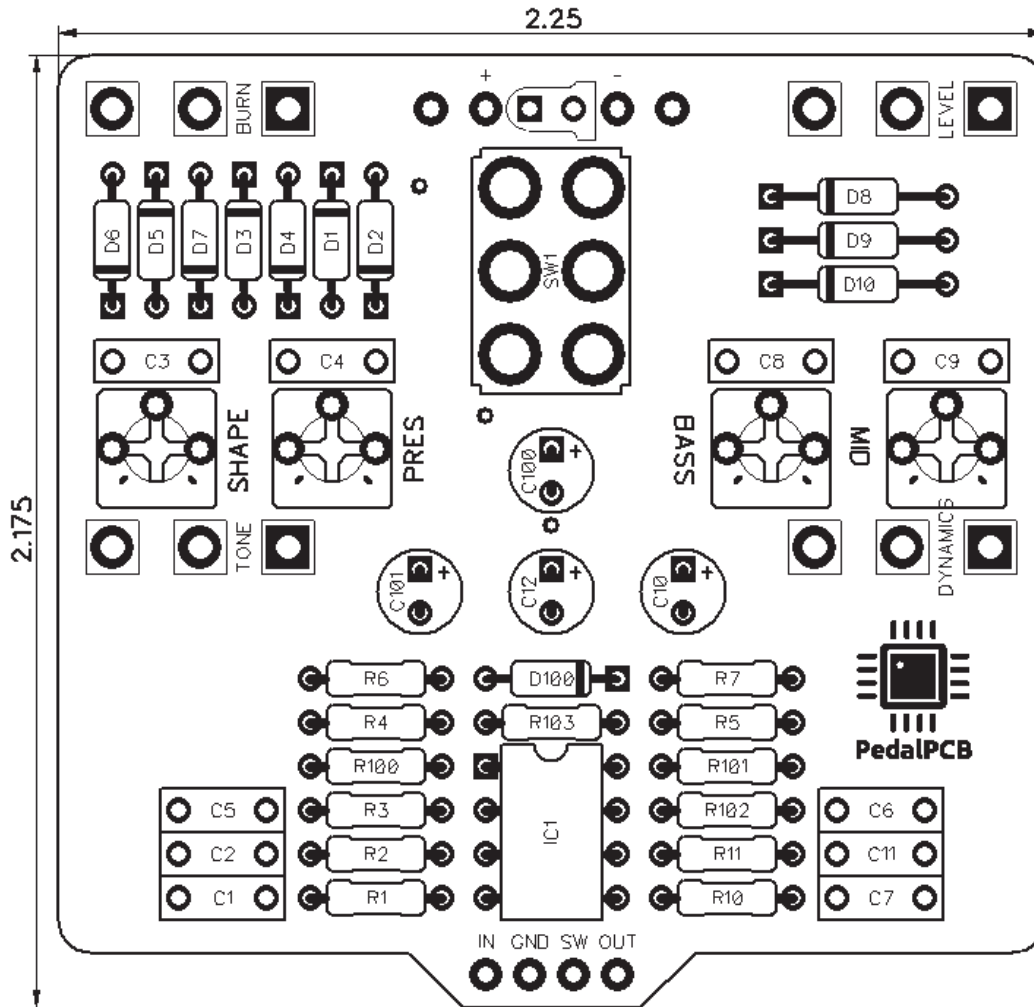




# PedalPCB

## Tater Tot

Revision 12.16.18



### Controls

- **Level**
- **Burn**
- **Tone**
- **Dynamics**
- **Clipping** (Toggle switch)
- **Shape** (Internal trim)
- **Presence** (Internal trim)
- **Bass** (Internal trim)
- **Mid** (Internal trim)

All trademarks and registered trademarks are the property of their respective owners. The company, product, and service names used in this web site are for identification purposes only. Use of these names, logos, and brands does not imply endorsement.

**RESISTORS (1/4W)**

R1 1M  
R2 470K  
R3 10K  
R4 1K  
R5 220R  
R6 3K  
R7 47K  
R10 470K  
R11 3K  
R100 4K7  
R101 10K  
R102 10K  
R103 91R

**CAPACITORS**

C1 22n  
C2 120p  
C3 100n  
C4 68n  
C5 2n2  
C6 3n3  
C7 22n  
C8 82n  
C9 10n  
C10 4u7  
C11 120p  
C12 10u  
C100 100u  
C101 47u

**INTEGRATED CIRCUITS**

IC1 JRC4559D

**DIODES**

D1 1N4148  
D2 1N4148  
D3 1N4148  
D4 1N4148  
D5 1N4148  
D6 1N4148  
D7 1N4148  
D8 1N34A  
D9 1N34A  
D10 1N34A  
D100 1N5817

**POTENTIOMETERS**

LEVEL A50K  
BURN A1M  
TONE B50K  
DYNAMICS B5K

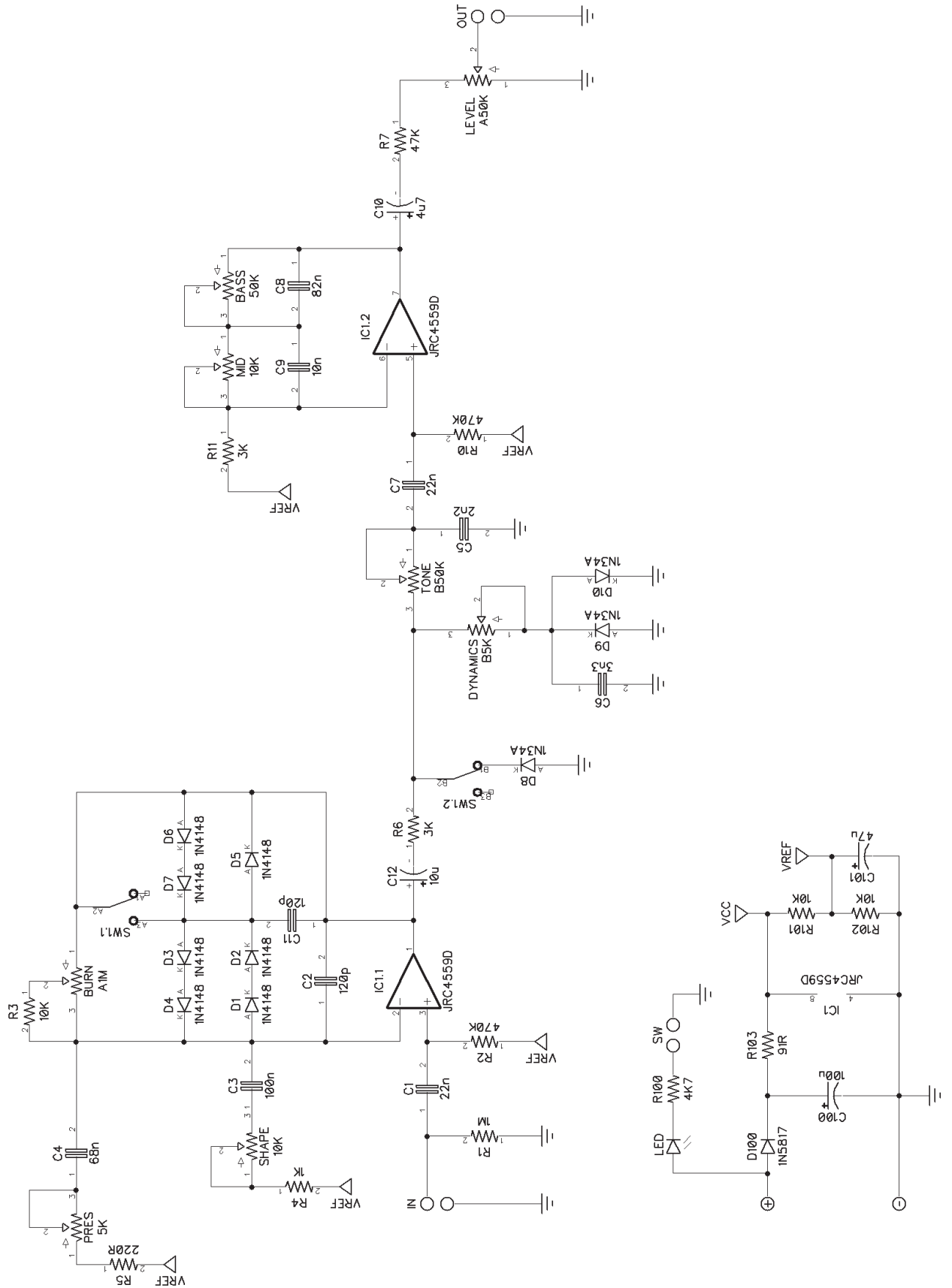
**TRIM POTS**

BASS 50K (3362P Trim)  
MID 10K (3362P Trim)  
PRES 5K (3362P Trim)  
SHAPE 10K (3362P Trim)

**SWITCHES**

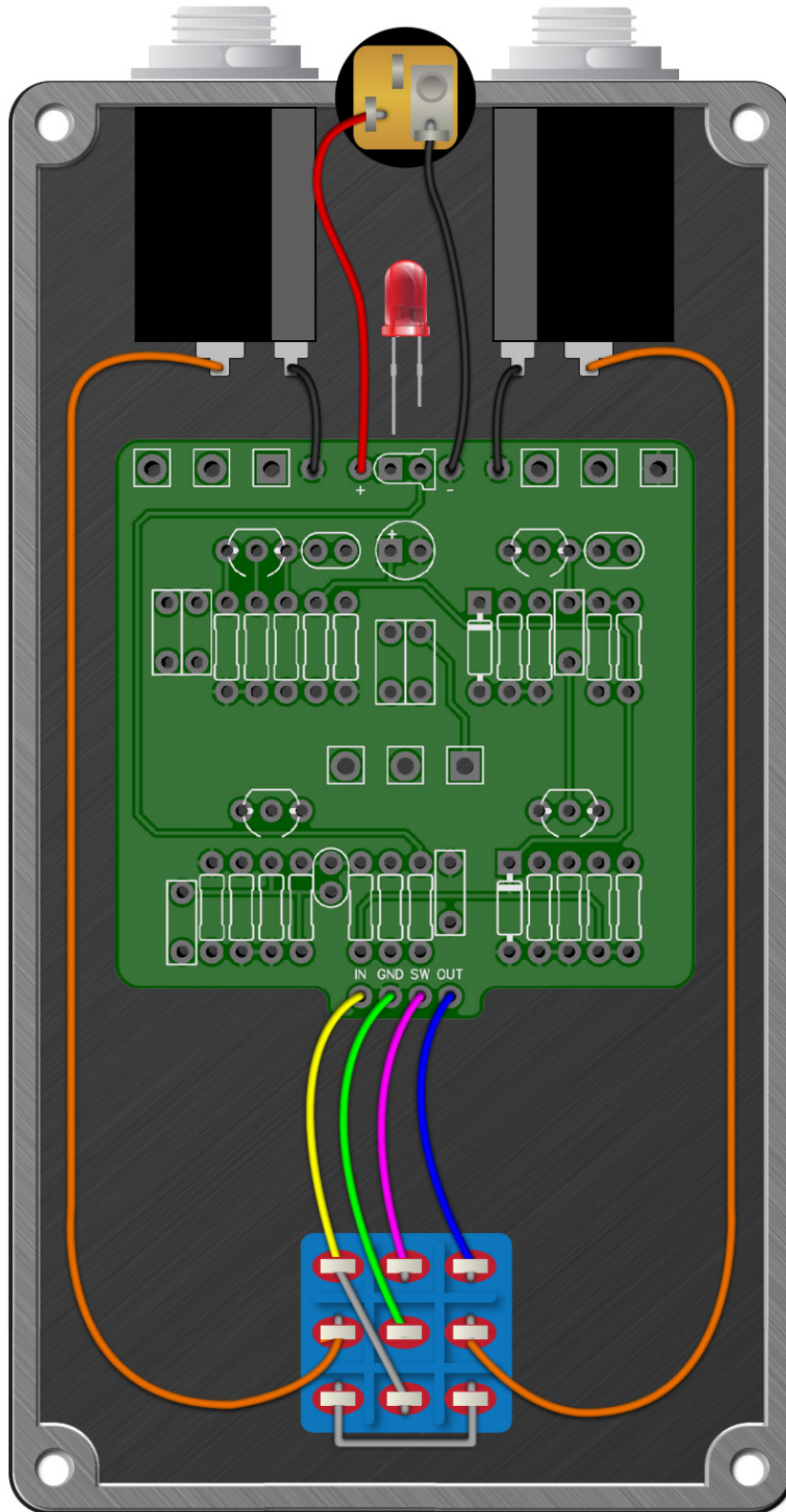
SW1 DPDT (On / Off / On)

# PedalPCB Tater Tot



# Tater Tot

Wiring Diagram



# Tater Tot

Drill Template  
125B enclosure with top mounted jacks

