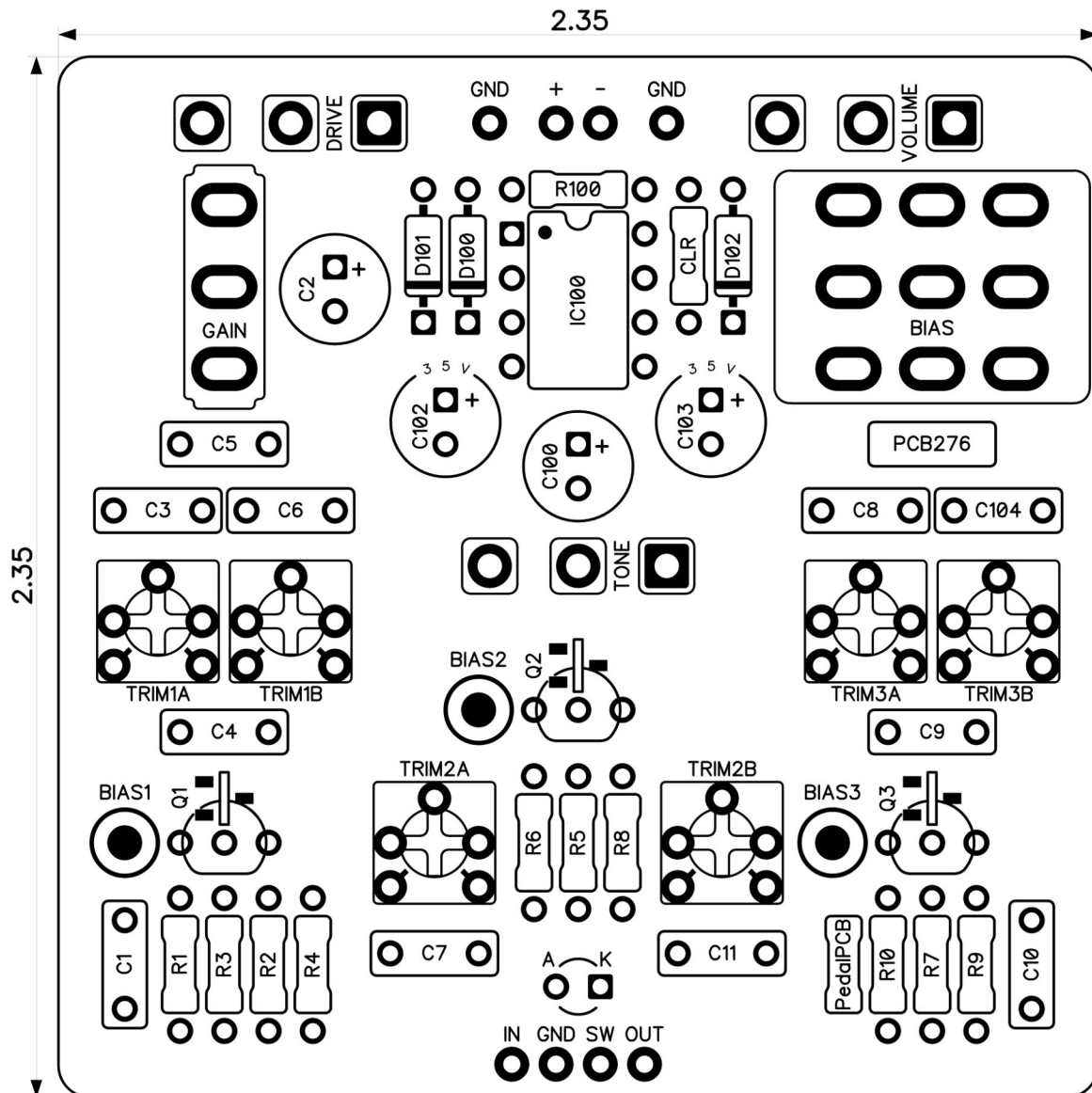




Taqueria Overdrive

Revised 4/9/24



CONTROLS AND FEATURES

- Volume
- Tone
- Drive

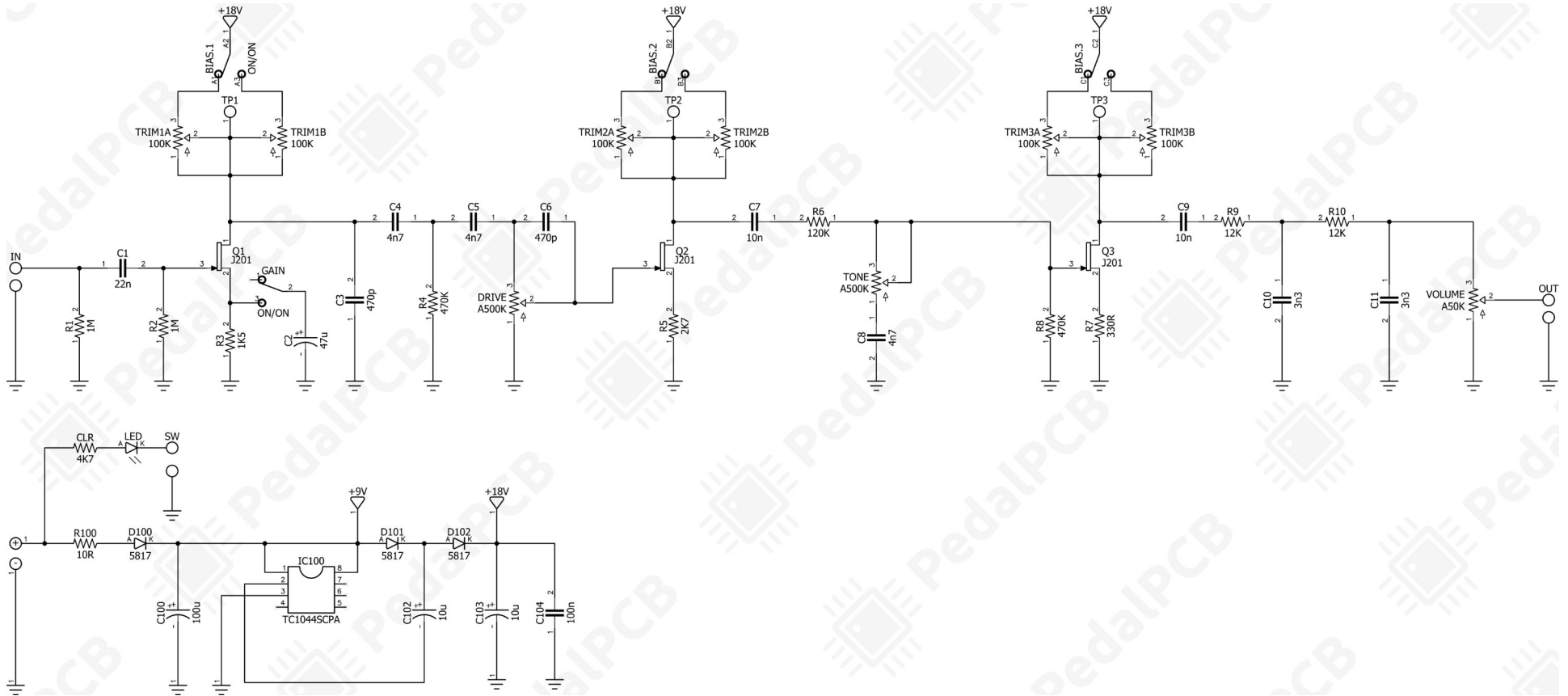
- Bias (Toggle switch)
- Gain (Toggle switch)

All trademarks and registered trademarks are the property of their respective owners. The company, product, and service names used in this web site are for identification purposes only. Use of these names, logos, and brands does not imply endorsement.

LOCATION	VALUE	TYPE	NOTES
R1	1M	Resistor, 1/4W	
R2	1M	Resistor, 1/4W	
R3	1K5	Resistor, 1/4W	
R4	470K	Resistor, 1/4W	
R5	2K7	Resistor, 1/4W	
R6	120K	Resistor, 1/4W	
R7	330R	Resistor, 1/4W	
R8	470K	Resistor, 1/4W	
R9	12K	Resistor, 1/4W	
R10	12K	Resistor, 1/4W	
R100	10R	Resistor, 1/4W	
CLR	4K7	Resistor, 1/4W	* LED current limiting resistor
C1	22n	Film capacitor, 7.2 x 2.5mm	
C2	47u	Electrolytic capacitor, 5mm	
C3	470p	Ceramic capacitor	
C4	4n7	Film capacitor, 7.2 x 2.5mm	
C5	4n7	Film capacitor, 7.2 x 2.5mm	
C6	470p	Ceramic capacitor	
C7	10n	Film capacitor, 7.2 x 2.5mm	
C8	4n7	Film capacitor, 7.2 x 2.5mm	
C9	10n	Film capacitor, 7.2 x 2.5mm	
C10	3n3	Film capacitor, 7.2 x 2.5mm	
C11	3n3	Film capacitor, 7.2 x 2.5mm	
C100	100u	Electrolytic capacitor, 5mm	
C102	10u	Electrolytic capacitor, 5mm	⚡ 25V Minimum Voltage
C103	10u	Electrolytic capacitor, 5mm	⚡ 25V Minimum Voltage
C104	100n	Film capacitor, 7.2 x 2.5mm	
D100	1N5817	Schottky diode, DO-41	
D101	1N5817	Schottky diode, DO-41	
D102	1N5817	Schottky diode, DO-41	
Q1	J201	JFET transistor, N-channel	
Q2	J201	JFET transistor, N-channel	
Q3	J201	JFET transistor, N-channel	
IC100	TC1044SCPA	Charge pump IC, DIP8	
VOLUME	A50K	16mm right-angle PCB mount pot	
TONE	A500K	16mm right-angle PCB mount pot	
DRIVE	A500K	16mm right-angle PCB mount pot	
BIAS	ON/ON	Toggle switch, 3PDT	2-position (ON/ON)
GAIN	ON/ON	Toggle switch, SPDT	2-position (ON/ON)
TRIM1A	100K	Trimmer potentiometer, 3362P type	
TRIM1B	100K	Trimmer potentiometer, 3362P type	
TRIM2A	100K	Trimmer potentiometer, 3362P type	
TRIM2B	100K	Trimmer potentiometer, 3362P type	
TRIM3A	100K	Trimmer potentiometer, 3362P type	
TRIM3B	100K	Trimmer potentiometer, 3362P type	

Taqueria Overdrive

Schematic Diagram



Taqueria Overdrive

Wiring Diagram



Taqueria Overdrive

Drill Template
125B Enclosure

