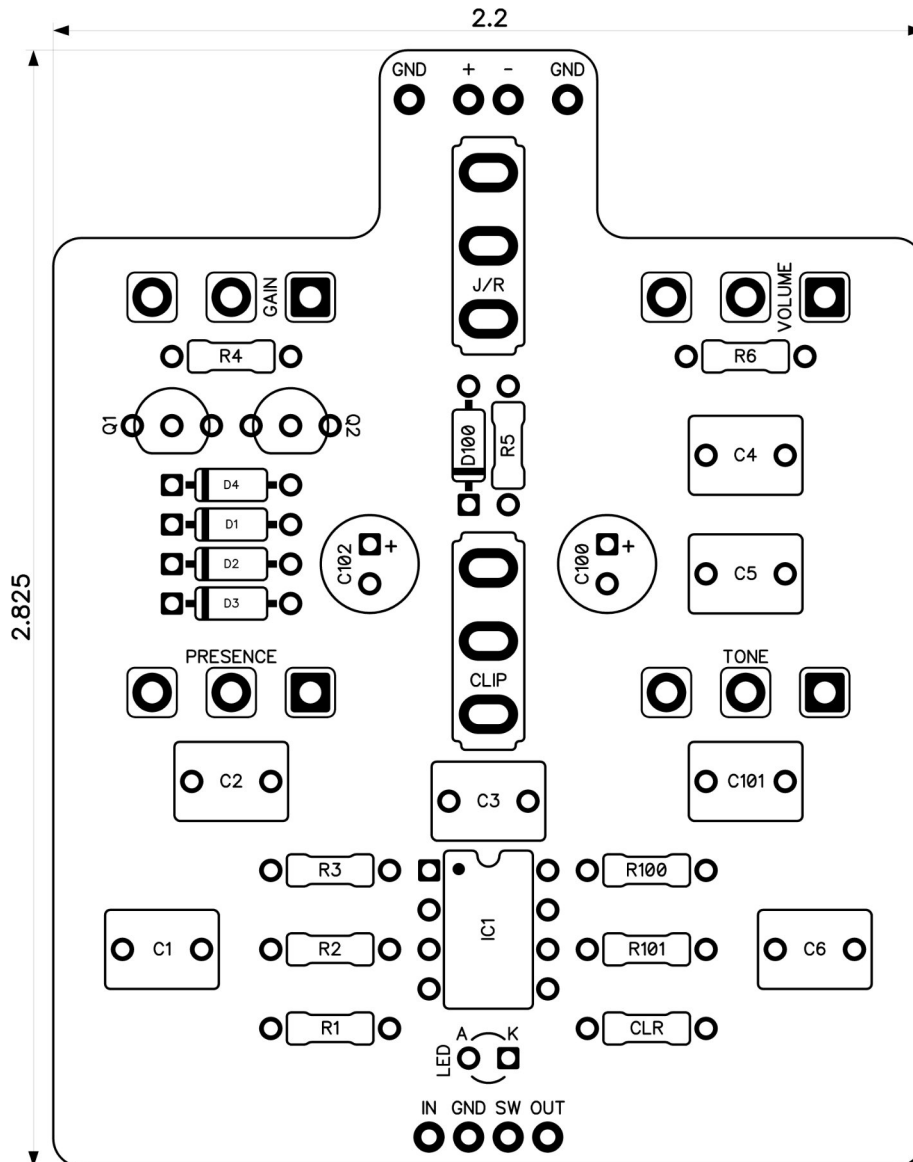


PedalPCB

Synopsis Overdrive

Revised 4/23/24



CONTROLS AND FEATURES

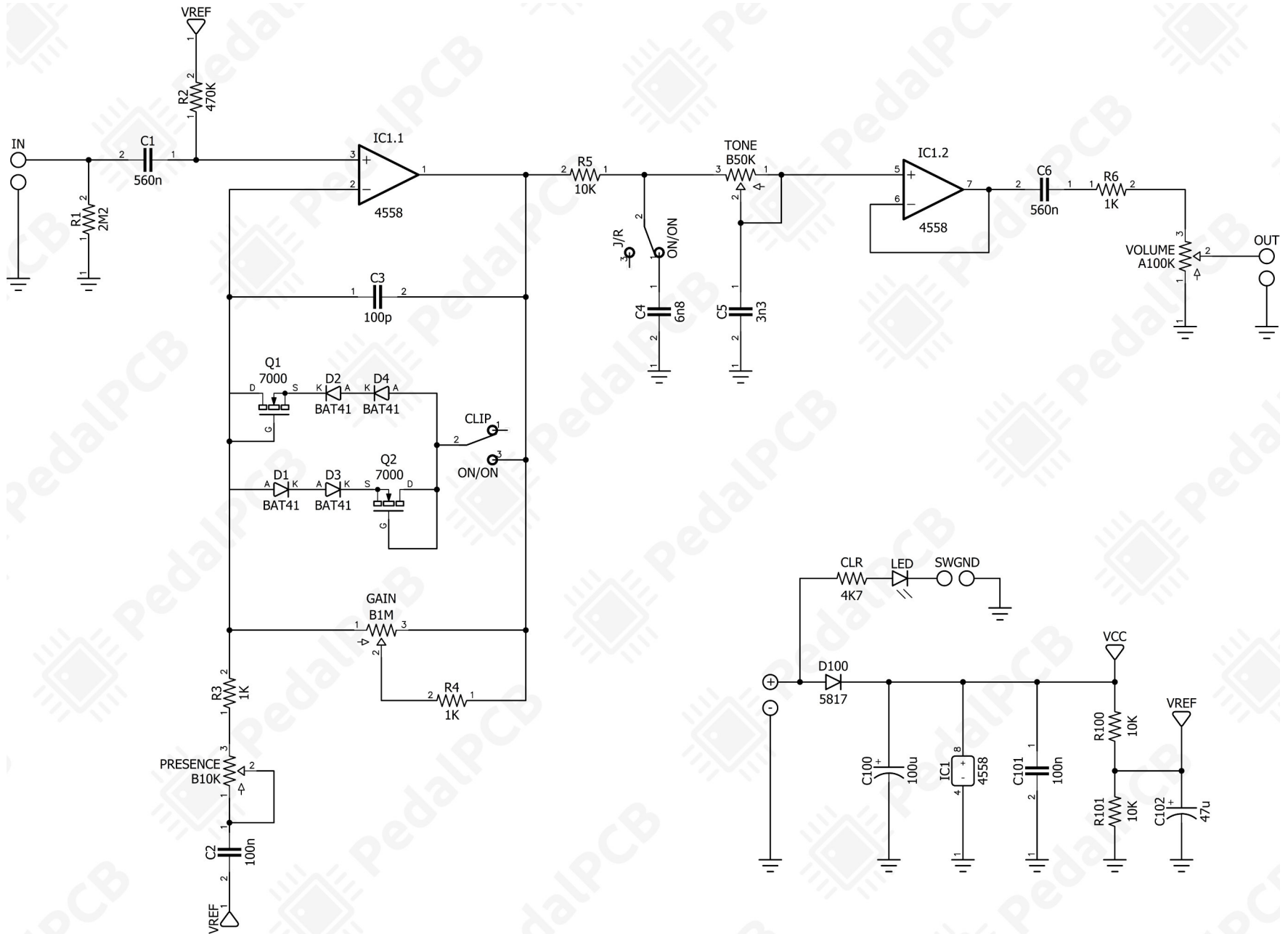
- Volume
- Gain
- Tone
- Presence
- Jazz/Rock (Toggle switch)
- Clipping (Toggle switch)

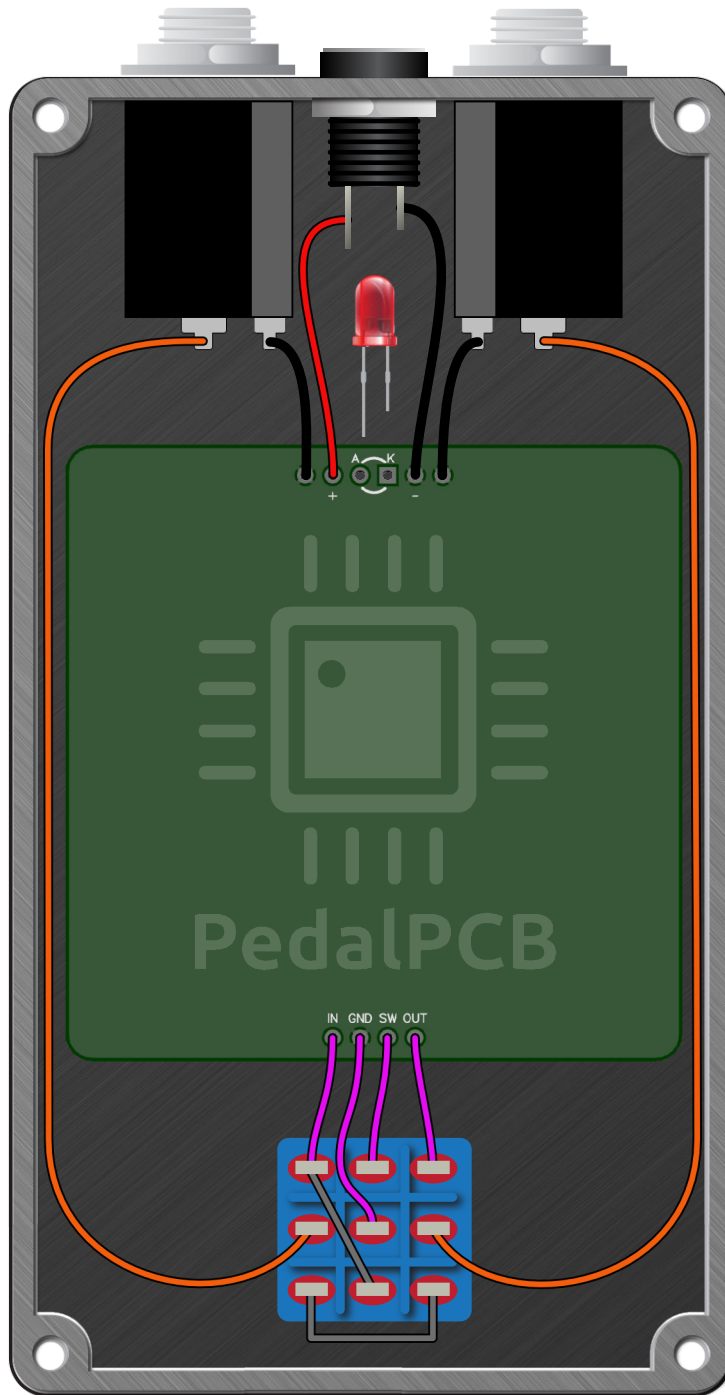
All trademarks and registered trademarks are the property of their respective owners. The company, product, and service names used in this web site are for identification purposes only. Use of these names, logos, and brands does not imply endorsement.

LOCATION	VALUE	TYPE	NOTES
R1	2M2	Resistor, 1/4W	
R2	470K	Resistor, 1/4W	
R3	1K	Resistor, 1/4W	
R4	1K	Resistor, 1/4W	
R5	10K	Resistor, 1/4W	
R6	1K	Resistor, 1/4W	
R100	10K	Resistor, 1/4W	
R101	10K	Resistor, 1/4W	
CLR	4K7	Resistor, 1/4W	* LED current limiting resistor
C1	560n	Film capacitor, 7.2 x 5.0mm	
C2	100n	Film capacitor, 7.2 x 2.5mm	
C3	100p	Ceramic capacitor	
C4	6n8	Film capacitor, 7.2 x 2.5mm	
C5	3n3	Film capacitor, 7.2 x 2.5mm	
C6	560n	Film capacitor, 7.2 x 5.0mm	
C100	100u	Electrolytic capacitor, 5mm	
C101	100n	Film capacitor, 7.2 x 2.5mm	
C102	47u	Electrolytic capacitor, 5mm	
D1	BAT41	Schottky diode, DO-35	
D2	BAT41	Schottky diode, DO-35	
D3	BAT41	Schottky diode, DO-35	
D4	BAT41	Schottky diode, DO-35	
D100	1N5817	Schottky diode, DO-41	
Q1	2N7000	N-Channel MOSFET	
Q2	2N7000	N-Channel MOSFET	
IC1	RC4558	Dual op-amp, DIP8	
VOLUME	A100K	16mm right-angle PCB mount pot	
GAIN	B1M	16mm right-angle PCB mount pot	
TONE	B50K	16mm right-angle PCB mount pot	
PRESENCE	B10K	16mm right-angle PCB mount pot	
J/R	ON/ON	Toggle switch, SPDT	2-position (ON/ON)
CLIP	ON/ON	Toggle switch, SPDT	2-position (ON/ON)

Synopsis Overdrive

Schematic Diagram





Synopsis Overdrive

Drill Template
125B Enclosure

