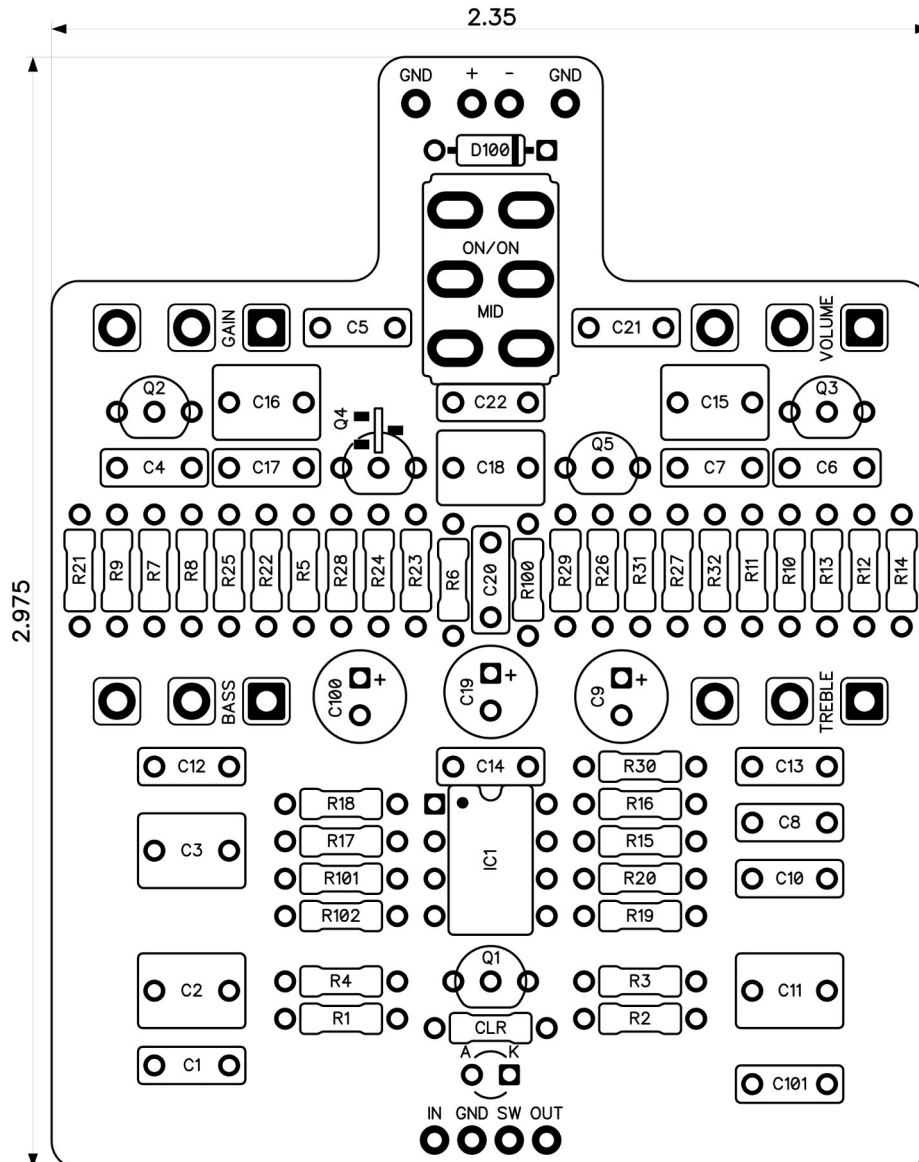


PedalPCB

Superflare Fuzz

Revised 12/18/23



CONTROLS AND FEATURES

- Volume
- Gain
- Treble
- Bass
- Mid-Boost (Toggle switch)

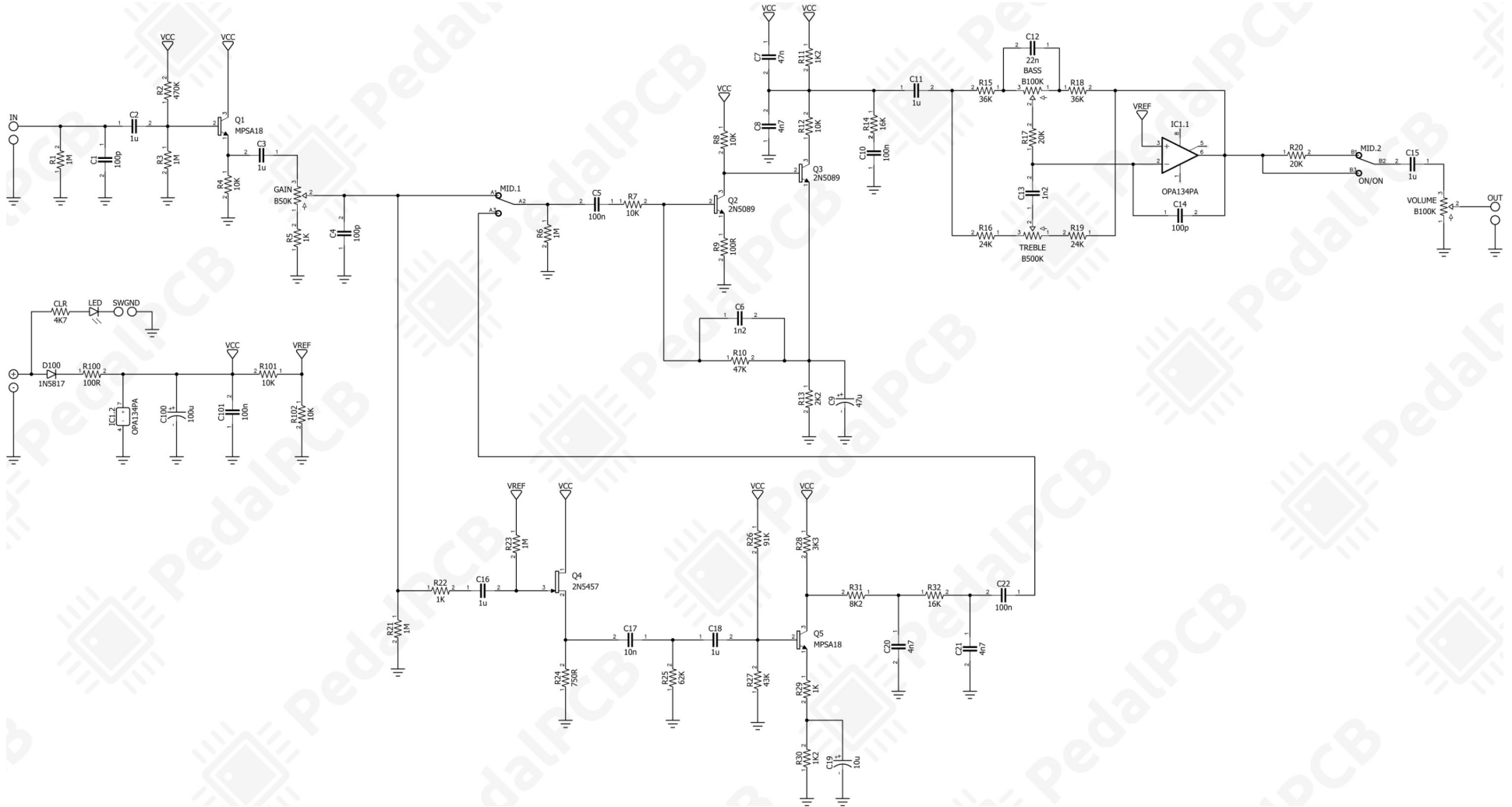
All trademarks and registered trademarks are the property of their respective owners. The company, product, and service names used in this web site are for identification purposes only. Use of these names, logos, and brands does not imply endorsement.

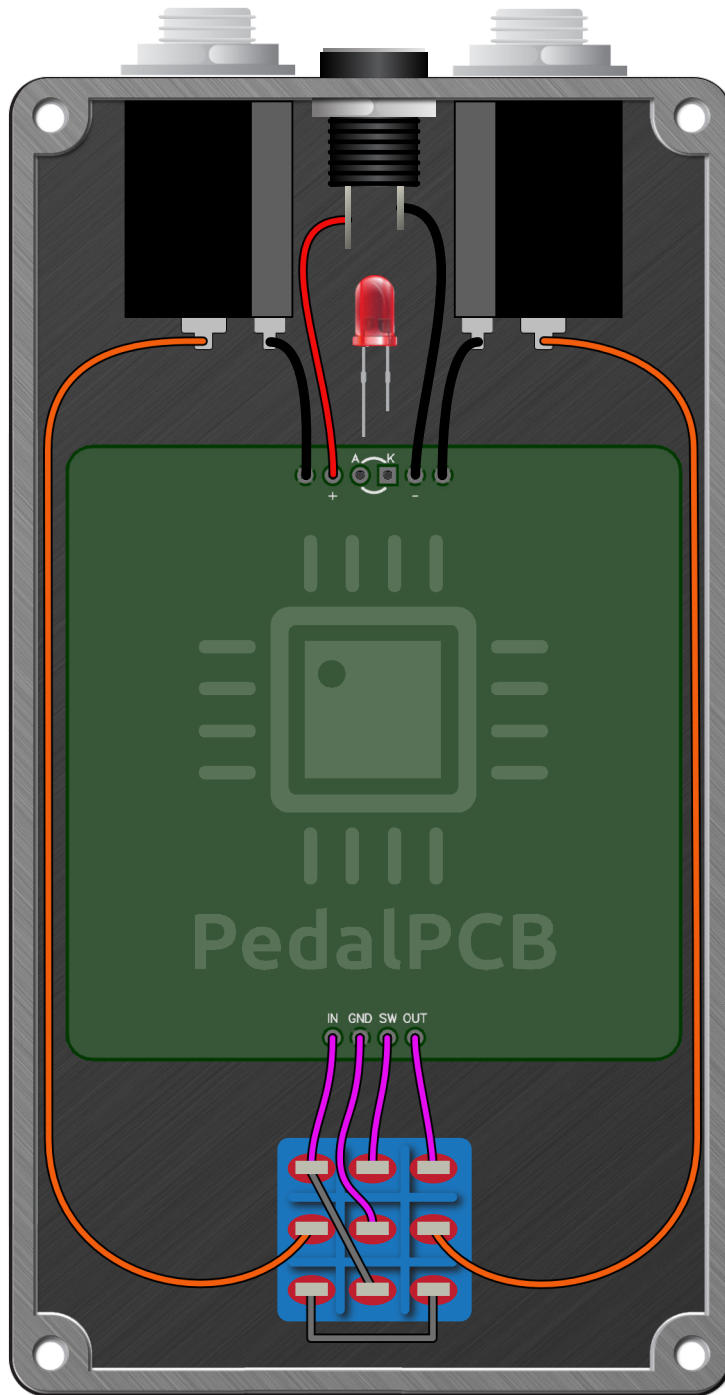
LOCATION	VALUE	TYPE	NOTES
R1	1M	Resistor, 1/4W	
R2	470K	Resistor, 1/4W	
R3	1M	Resistor, 1/4W	
R4	10K	Resistor, 1/4W	
R5	1K	Resistor, 1/4W	
R6	1M	Resistor, 1/4W	
R7	10K	Resistor, 1/4W	
R8	10K	Resistor, 1/4W	
R9	100R	Resistor, 1/4W	
R10	47K	Resistor, 1/4W	
R11	1K2	Resistor, 1/4W	
R12	10K	Resistor, 1/4W	
R13	2K2	Resistor, 1/4W	
R14	16K	Resistor, 1/4W	
R15	36K	Resistor, 1/4W	
R16	24K	Resistor, 1/4W	
R17	20K	Resistor, 1/4W	
R18	36K	Resistor, 1/4W	
R19	24K	Resistor, 1/4W	
R20	20K	Resistor, 1/4W	
R21	1M	Resistor, 1/4W	
R22	1K	Resistor, 1/4W	
R23	1M	Resistor, 1/4W	
R24	750R	Resistor, 1/4W	
R25	62K	Resistor, 1/4W	
R26	91K	Resistor, 1/4W	
R27	43K	Resistor, 1/4W	
R28	3K3	Resistor, 1/4W	
R29	1K	Resistor, 1/4W	
R30	1K2	Resistor, 1/4W	
R31	8K2	Resistor, 1/4W	
R32	16K	Resistor, 1/4W	
R100	100R	Resistor, 1/4W	
R101	10K	Resistor, 1/4W	
R102	10K	Resistor, 1/4W	
CLR	4K7	Resistor, 1/4W	* LED current limiting resistor
D100	1N5817	Schottky diode, DO-41	
Q1	MPSA18	BJT transistor, NPN TO-92	
Q2	2N5089	BJT transistor, NPN TO-92	
Q3	2N5089	BJT transistor, NPN TO-92	
Q4	2N5457	JFET transistor, N-channel	
Q5	MPSA18	BJT transistor, NPN TO-92	
			<i>Continued on next page...</i>

LOCATION	VALUE	TYPE	NOTES
C1	100p	Ceramic capacitor	
C2	1u	Film capacitor, 7.2 x 5.0mm	
C3	1u	Film capacitor, 7.2 x 5.0mm	
C4	100p	Ceramic capacitor	
C5	100n	Film capacitor, 7.2 x 2.5mm	
C6	1n2	Film capacitor, 7.2 x 2.5mm	
C7	47n	Film capacitor, 7.2 x 2.5mm	
C8	4n7	Film capacitor, 7.2 x 2.5mm	
C9	47u	Electrolytic capacitor, 5mm	
C10	100n	Film capacitor, 7.2 x 2.5mm	
C11	1u	Film capacitor, 7.2 x 5.0mm	
C12	22n	Film capacitor, 7.2 x 2.5mm	
C13	1n2	Film capacitor, 7.2 x 2.5mm	
C14	100p	Ceramic capacitor	
C15	1u	Film capacitor, 7.2 x 5.0mm	
C16	1u	Film capacitor, 7.2 x 5.0mm	
C17	10n	Film capacitor, 7.2 x 2.5mm	
C18	1u	Film capacitor, 7.2 x 5.0mm	
C19	10u	Electrolytic capacitor, 5mm	
C20	4n7	Film capacitor, 7.2 x 2.5mm	
C21	4n7	Film capacitor, 7.2 x 2.5mm	
C22	100n	Film capacitor, 7.2 x 2.5mm	
C100	100u	Electrolytic capacitor, 5mm	
C101	100n	Film capacitor, 7.2 x 2.5mm	
IC1	OPA134PA	Dual op-amp, DIP8	
VOLUME	B100K	16mm right-angle PCB mount pot	
GAIN	B50K	16mm right-angle PCB mount pot	
TREBLE	B500K	16mm right-angle PCB mount pot	
BASS	B100K	16mm right-angle PCB mount pot	
MID	DPDT	Toggle switch, DPDT	2-position (ON/ON)

Superflare Fuzz

Schematic Diagram





Superflare Fuzz

Drill Template
125B Enclosure

