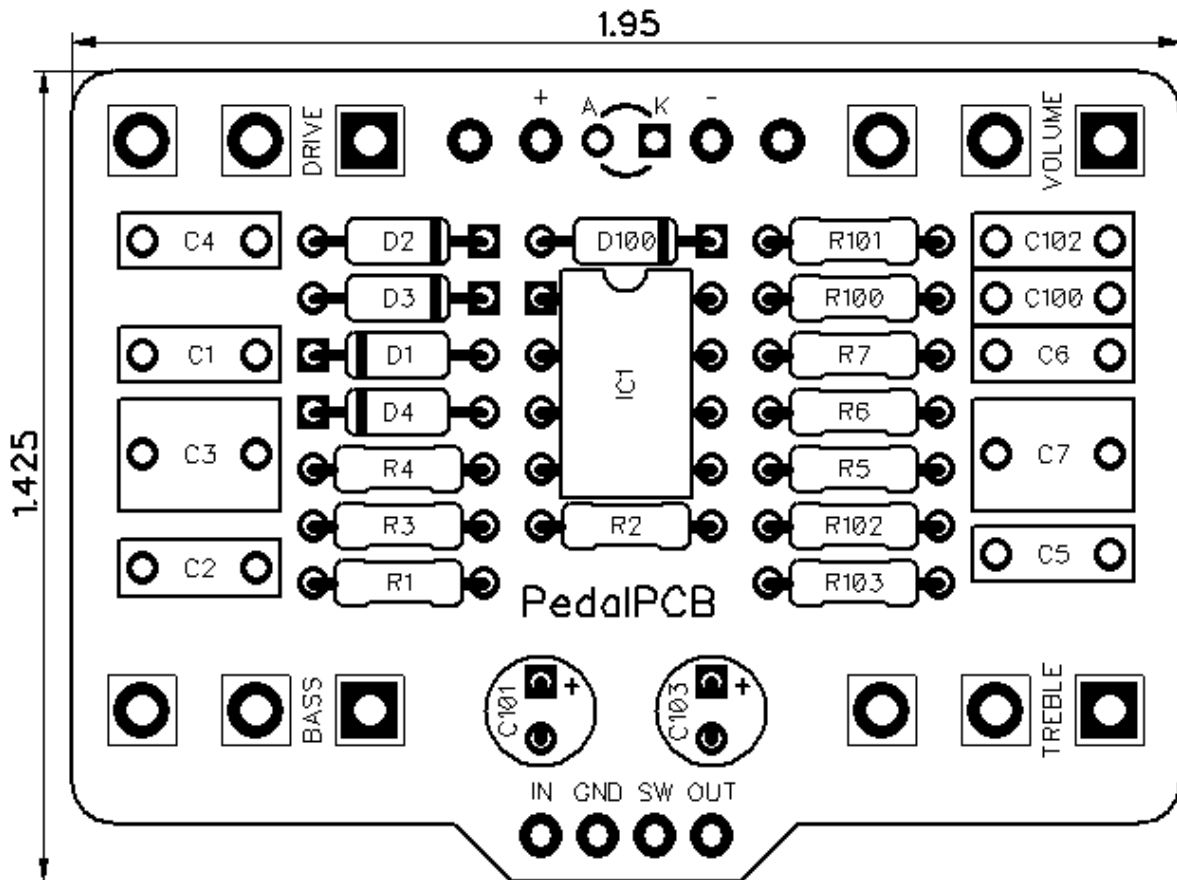




# Super Stevie Overdrive

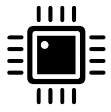
Revised 5/18/20



## CONTROLS AND FEATURES

- **Volume** adjusts the overall output volume
- **Gain** sets the amount of signal gain / drive
- **Treble** controls the amount of Treble
- **Bass** controls the amount of Bass

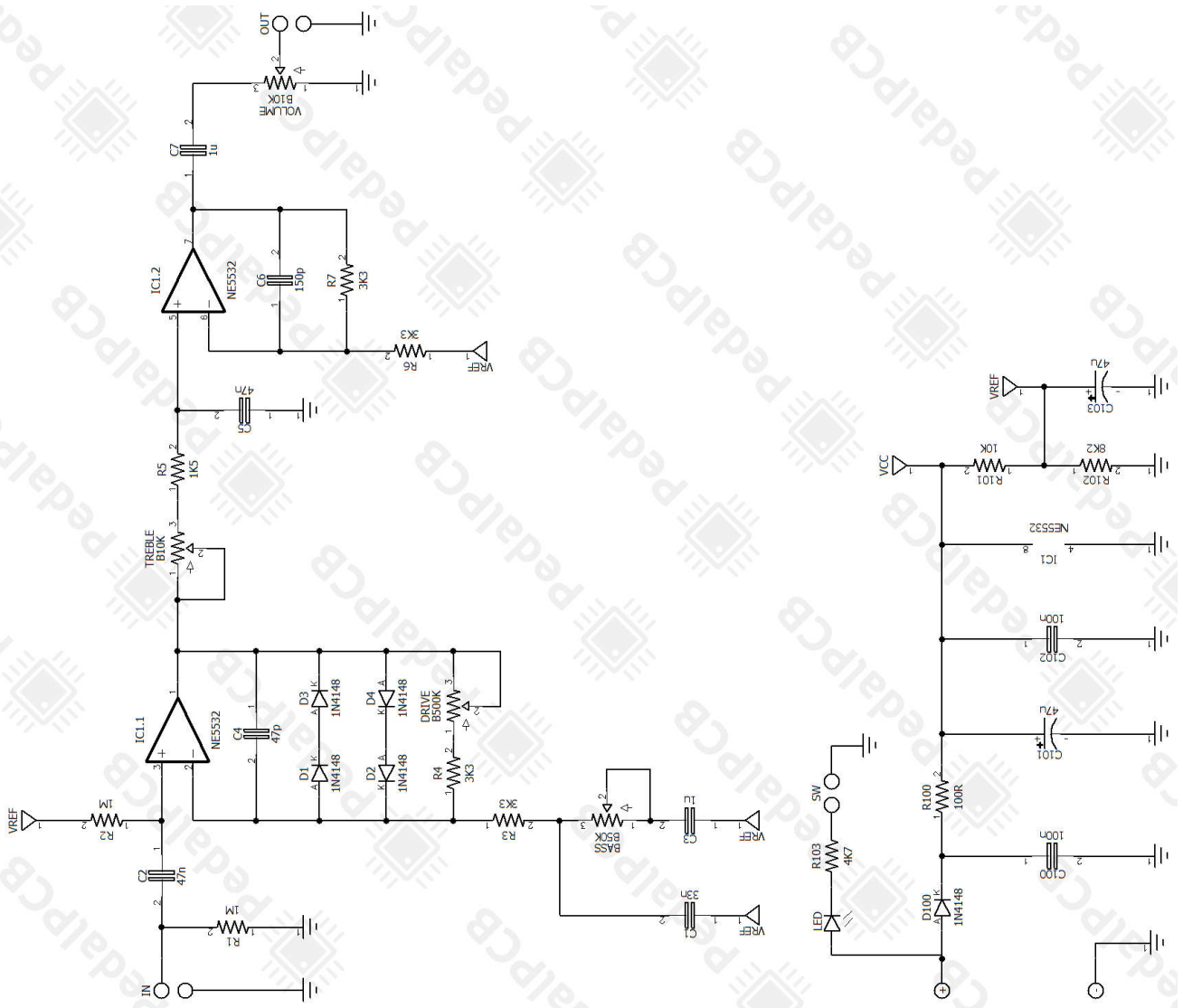
All trademarks and registered trademarks are the property of their respective owners. The company, product, and service names used in this web site are for identification purposes only. Use of these names, logos, and brands does not imply endorsement.



LOCATION	VALUE	TYPE	NOTES
R1	1M	Resistor, 1/4W	
R2	1M	Resistor, 1/4W	
R3	3K3	Resistor, 1/4W	
R4	3K3	Resistor, 1/4W	
R5	1K5	Resistor, 1/4W	
R6	3K3	Resistor, 1/4W	Omit for <b>High Gain</b> version
R7	3K3	Resistor, 1/4W	
R100	100R	Resistor, 1/4W	
R101	10K	Resistor, 1/4W	
R102	8K2	Resistor, 1/4W	
R103	4K7	Resistor, 1/4W	
C1	33n	Film capacitor, 7.2 x 2.5mm	
C2	47n	Film capacitor, 7.2 x 2.5mm	
C3	1u	Film capacitor, 7.2 x 5mm	
C4	47p	Ceramic capacitor	
C5	47n	Film capacitor, 7.2 x 2.5mm	
C6	150p	Ceramic capacitor	
C7	1u	Film capacitor, 7.2 x 5mm	
C100	100n	Film capacitor, 7.2 x 2.5mm	
C101	47u	Electrolytic capacitor, 5mm	
C102	100n	Film capacitor, 7.2 x 2.5mm	
C103	47u	Electrolytic capacitor, 5mm	
D1	1N4148	Signal diode, DO-35	
D2	1N4148	Signal diode, DO-35	
D3	1N4148	Signal diode, DO-35	
D4	1N4148	Signal diode, DO-35	
D100	1N4148	Signal diode, DO-35	
IC1	NE5532	Dual op-amp, DIP8	
VOLUME	B10K	16mm right-angle PCB mount pot	
DRIVE	B500K	16mm right-angle PCB mount pot	<b>B1M</b> for <b>High Gain</b> version
TREBLE	B10K	16mm right-angle PCB mount pot	<b>B5K</b> for <b>Flat EQ</b> version
BASS	B50K	16mm right-angle PCB mount pot	

# Super Stevie Overdrive

## Schematic Diagram



# Super Stevie Overdrive

Wiring Diagram

