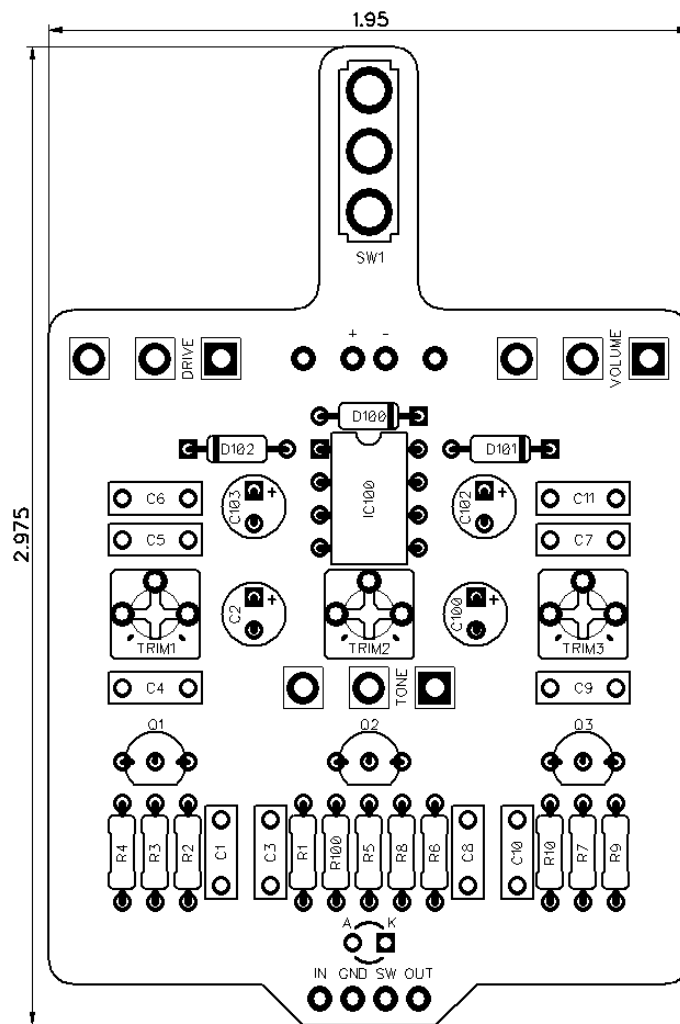




PedalPCB

Super '64 Overdrive

Revision 12.28.19



Controls

- Volume
- Tone
- Drive
- Gain (Toggle Switch)

All trademarks and registered trademarks are the property of their respective owners. The company, product, and service names used in this web site are for identification purposes only. Use of these names, logos, and brands does not imply endorsement.

RESISTORS (1/4W)

R1 1M
R2 1M
R3 1K5
R4 470K
R5 2K7
R6 120K
R7 220R
R8 470K
R9 12K
R10 12K
R100 4K7

CAPACITORS

C1 22n
C2 33u
C3 470p
C4 4n7
C5 4n7
C6 470p
C7 10n
C8 4n7
C9 10n
C10 3n3
C11 3n3
C100 100u
C102 10u
C103 10u

INTEGRATED CIRCUITS

IC100 TC1044SCPA

TRANSISTORS

Q1 J201
Q2 J201
Q3 J201

DIODES

D100 1N5817
D101 1N5817
D102 1N5817

POTENTIOMETERS

VOLUME A100K
TONE A500K
GAIN A500K

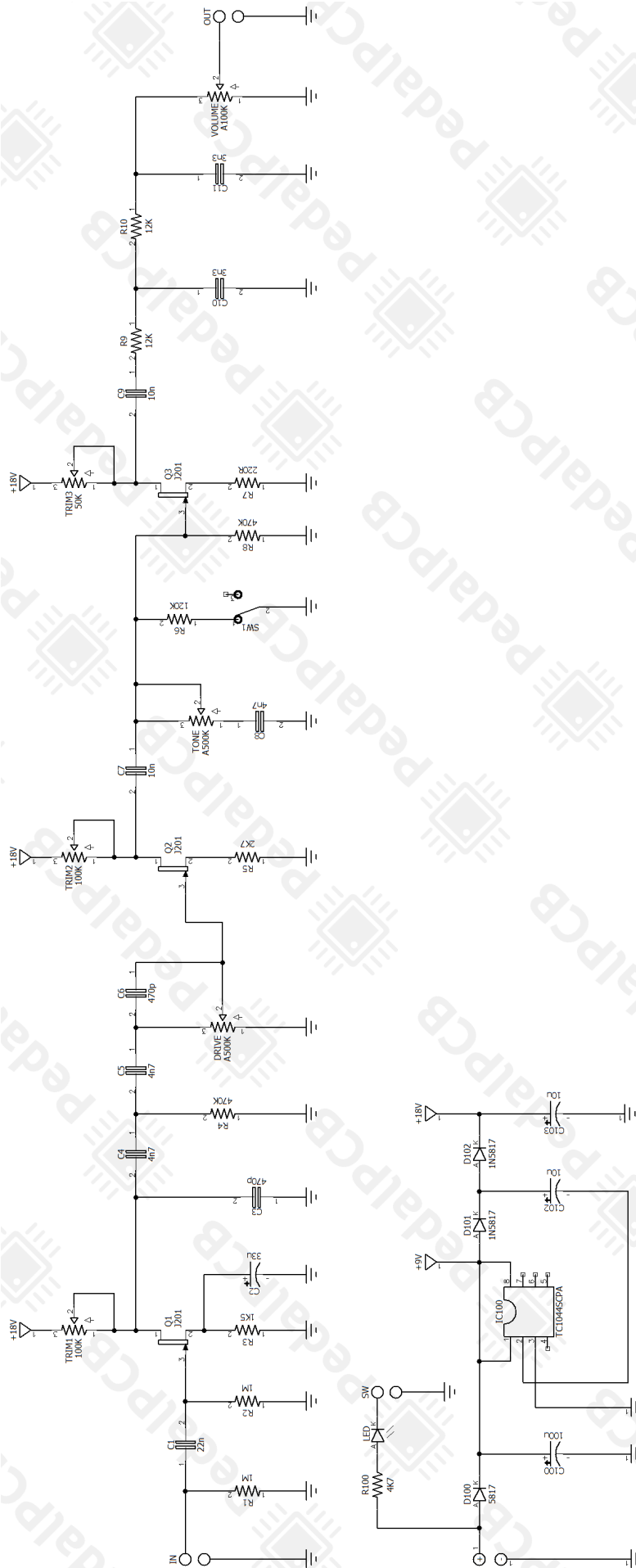
TRIM POTS (3362P Style)

TRIM1 100K
TRIM2 100K
TRIM3 50K

SWITCHES

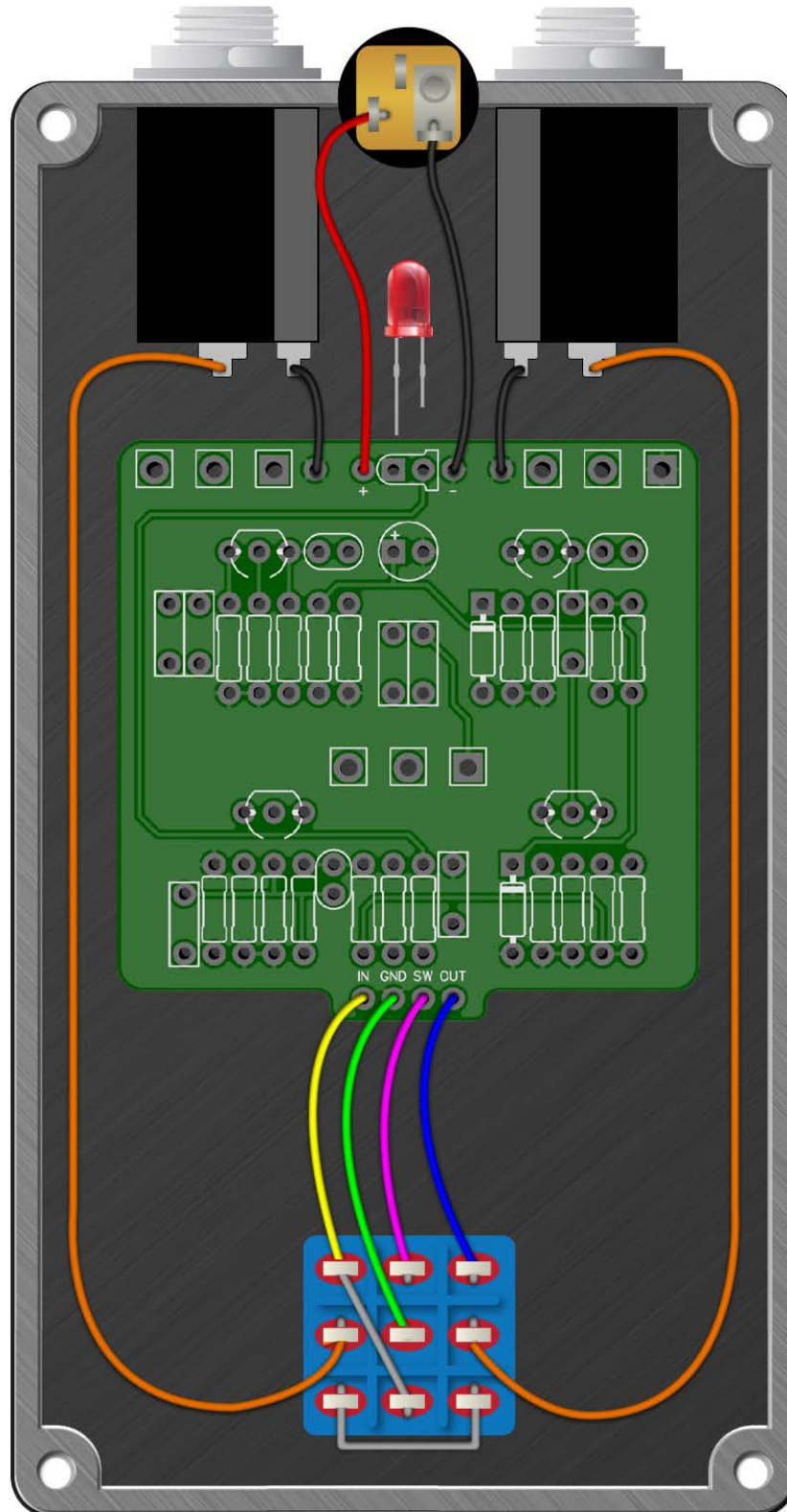
SW1 SPDT (On/On)

Super '64 Overdrive



Super '64 Overdrive

Wiring Diagram



Super '64 Overdrive

Drill Template
125B Enclosure

