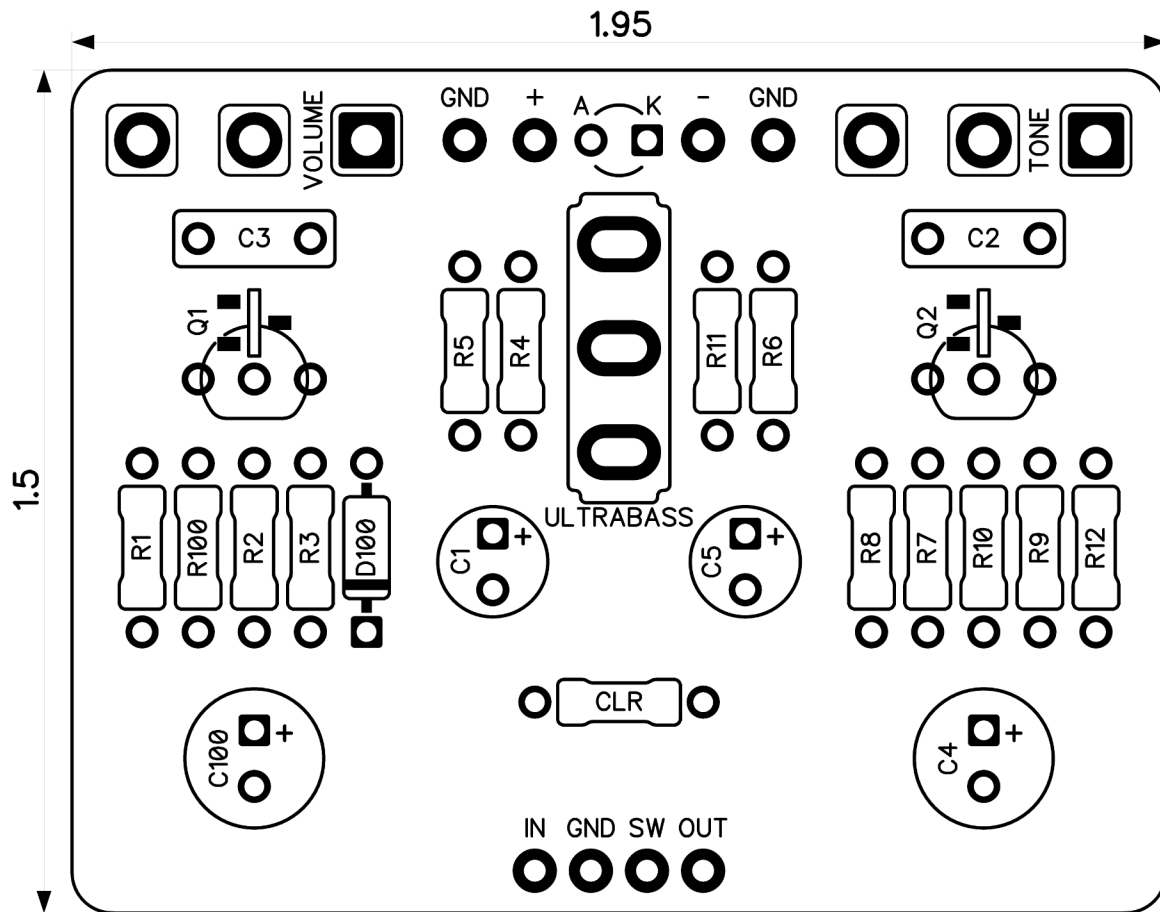




Submersible Preamp

Revised 5/14/24



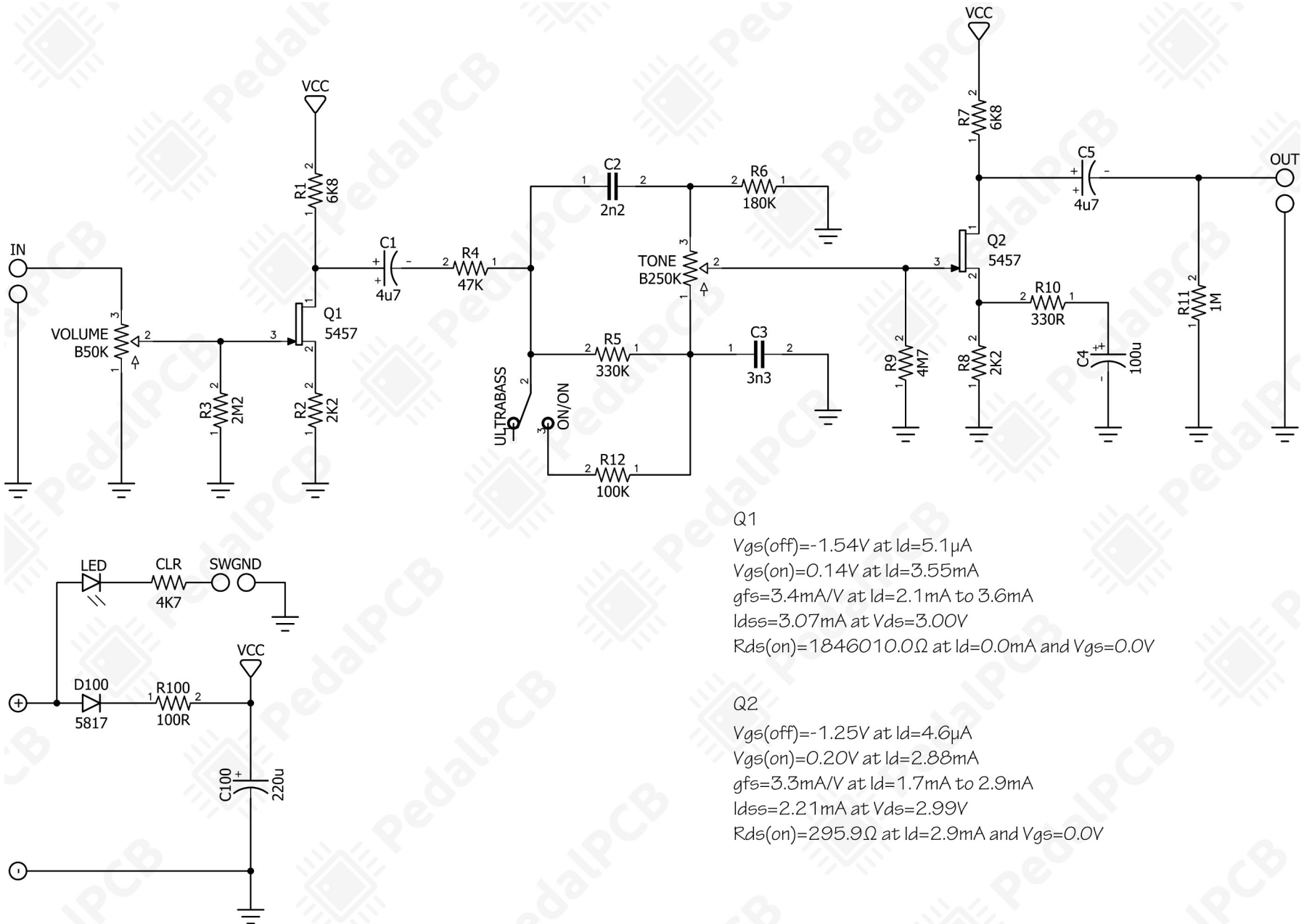
CONTROLS AND FEATURES

- Volume
- Tone
- Ultra-Bass (Toggle switch)

All trademarks and registered trademarks are the property of their respective owners. The company, product, and service names used in this web site are for identification purposes only. Use of these names, logos, and brands does not imply endorsement.

Submersible Preamp

Schematic Diagram



Q1

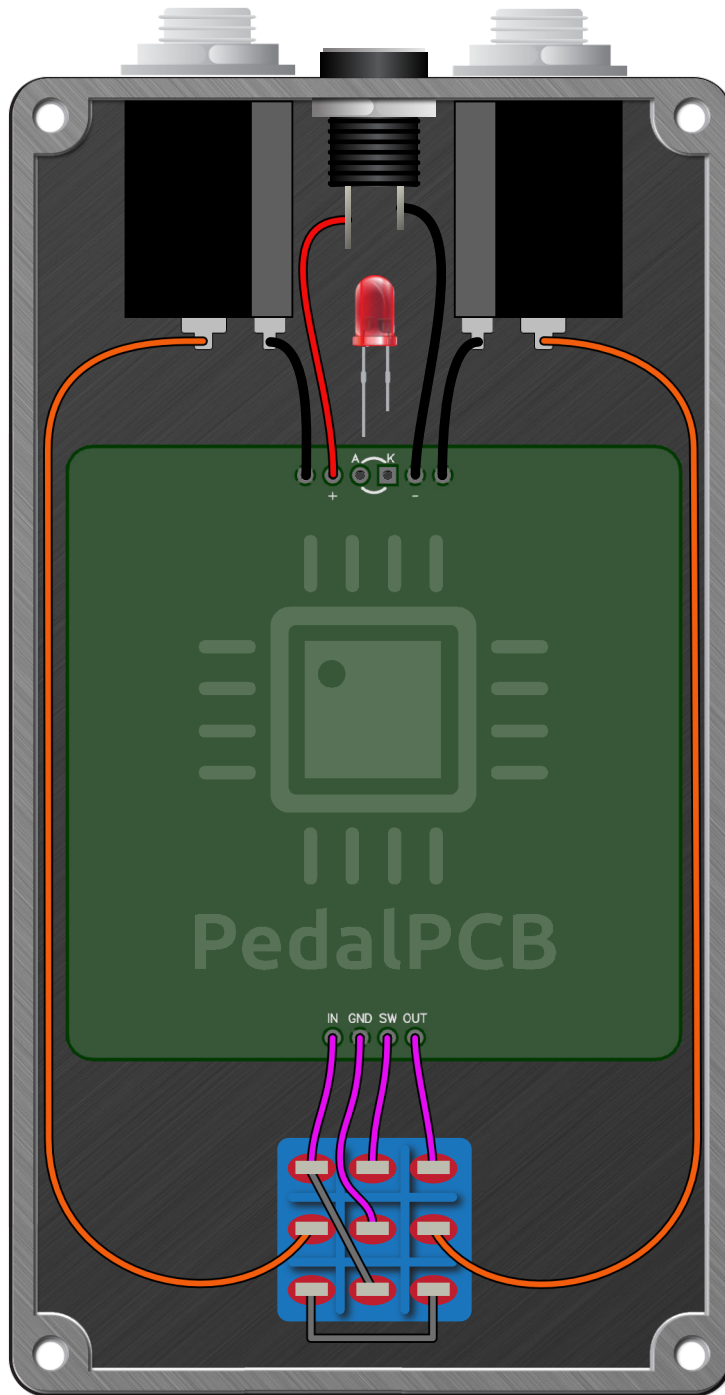
$V_{gs(off)} = -1.54V$ at $I_d = 5.1\mu A$
 $V_{gs(on)} = 0.14V$ at $I_d = 3.55mA$
 $g_{fs} = 3.4mA/V$ at $I_d = 2.1mA$ to $3.6mA$
 $I_{dss} = 3.07mA$ at $V_{ds} = 3.00V$
 $R_{ds(on)} = 1846010.0\Omega$ at $I_d = 0.0mA$ and $V_{gs} = 0.0V$

Q2

$V_{gs(off)} = -1.25V$ at $I_d = 4.6\mu A$
 $V_{gs(on)} = 0.20V$ at $I_d = 2.88mA$
 $g_{fs} = 3.3mA/V$ at $I_d = 1.7mA$ to $2.9mA$
 $I_{dss} = 2.21mA$ at $V_{ds} = 2.99V$
 $R_{ds(on)} = 295.9\Omega$ at $I_d = 2.9mA$ and $V_{gs} = 0.0V$

Submersible Preamp

Wiring Diagram



Submersible Preamp

Drill Template
125B Enclosure

