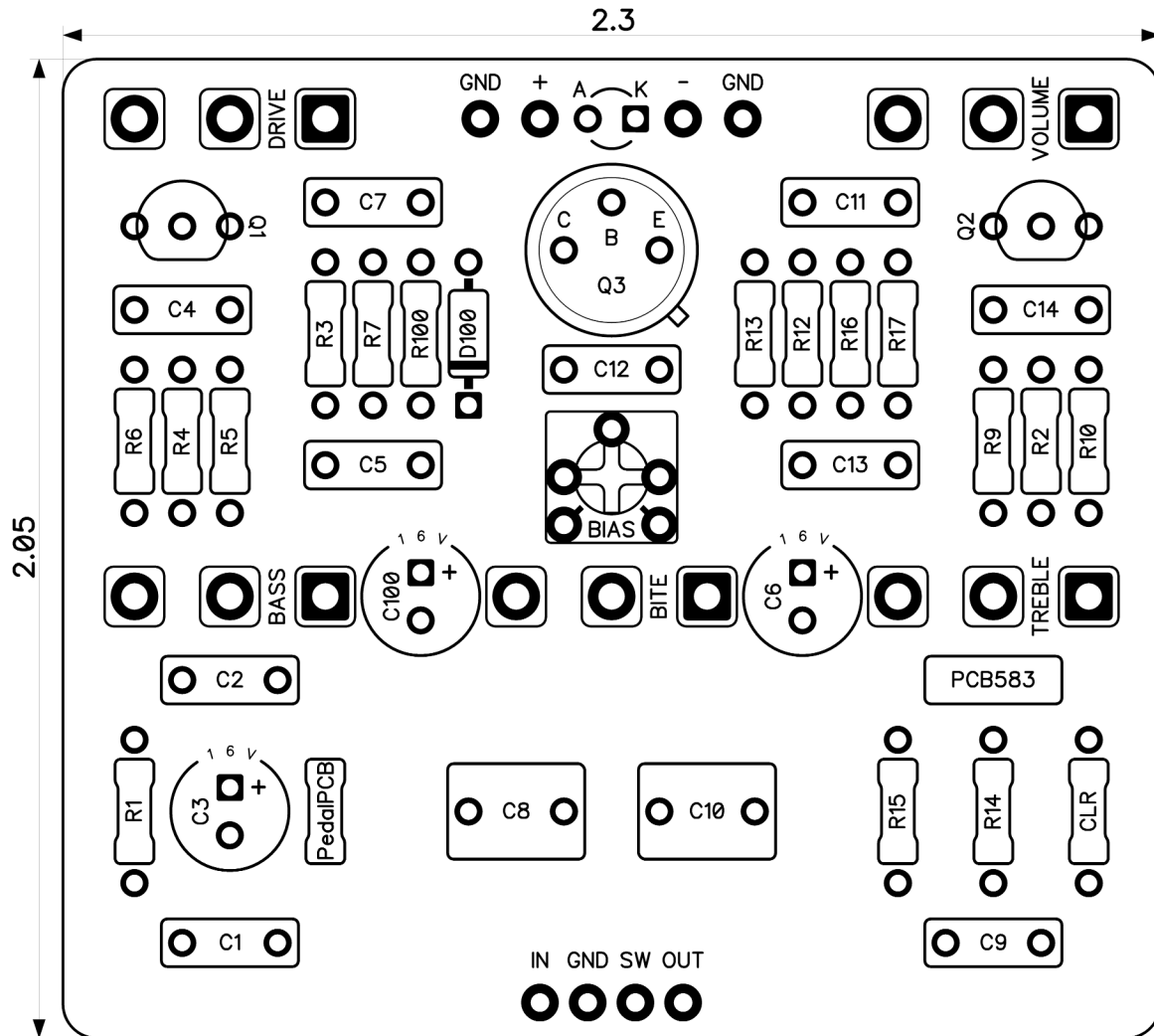




# PedalPCB

## Stun Gun Fuzz

Revised 12/18/23



## CONTROLS AND FEATURES

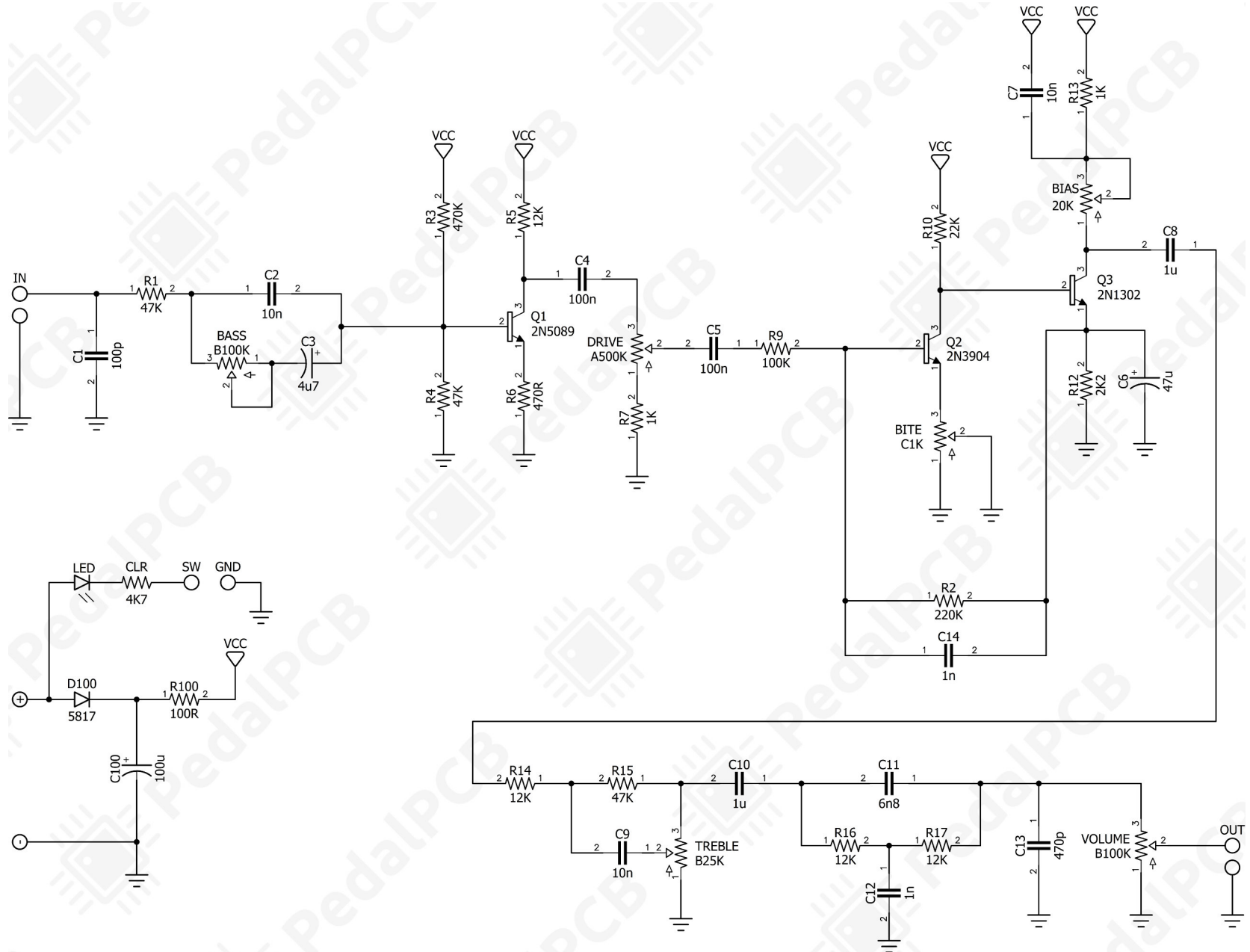
- Volume
- Drive
- Treble
- Bite
- Bass
- Bias (Internal trim pot)

All trademarks and registered trademarks are the property of their respective owners. The company, product, and service names used in this web site are for identification purposes only. Use of these names, logos, and brands does not imply endorsement.

LOCATION	VALUE	TYPE	NOTES
R1	47K	Resistor, 1/4W	
R2	220K	Resistor, 1/4W	
R3	470K	Resistor, 1/4W	
R4	47K	Resistor, 1/4W	
R5	12K	Resistor, 1/4W	
R6	470R	Resistor, 1/4W	
R7	1K	Resistor, 1/4W	
R9	100K	Resistor, 1/4W	
R10	22K	Resistor, 1/4W	
R12	2K2	Resistor, 1/4W	
R13	1K	Resistor, 1/4W	
R14	12K	Resistor, 1/4W	
R15	47K	Resistor, 1/4W	
R16	12K	Resistor, 1/4W	
R17	12K	Resistor, 1/4W	
R100	100R	Resistor, 1/4W	
CLR	4K7	Resistor, 1/4W	* LED current limiting resistor
C1	100p	Ceramic capacitor	
C2	10n	Film capacitor, 7.2 x 2.5mm	
C3	4u7	Electrolytic capacitor, 5mm	
C4	100n	Film capacitor, 7.2 x 2.5mm	
C5	100n	Film capacitor, 7.2 x 2.5mm	
C6	47u	Electrolytic capacitor, 5mm	
C7	10n	Film capacitor, 7.2 x 2.5mm	
C8	1u	Film capacitor, 7.2 x 5.0mm	
C9	10n	Film capacitor, 7.2 x 2.5mm	
C10	1u	Film capacitor, 7.2 x 5.0mm	
C11	6n8	Film capacitor, 7.2 x 2.5mm	
C12	1n	Film capacitor, 7.2 x 2.5mm	
C13	470p	Ceramic capacitor	
C14	1n	Film capacitor, 7.2 x 2.5mm	
C100	100u	Electrolytic capacitor, 5mm	
D100	1N5817	Schottky diode, DO-41	
Q1	2N5089	BJT transistor, NPN TO-92	
Q2	2N3904	BJT transistor, NPN TO-92	
Q3	2N1302	Germanium transistor, NPN TO-5	
BIAS	20K	Trimmer potentiometer, 3362P type	
VOLUME	B100K	16mm right-angle PCB mount pot	
DRIVE	A500K	16mm right-angle PCB mount pot	
TREBLE	B25K	16mm right-angle PCB mount pot	
BITE	C1K	16mm right-angle PCB mount pot	
BASS	B100K	16mm right-angle PCB mount pot	

# Stun Gun Fuzz

Schematic Diagram





# Stun Gun Fuzz

Drill Template  
125B Enclosure

