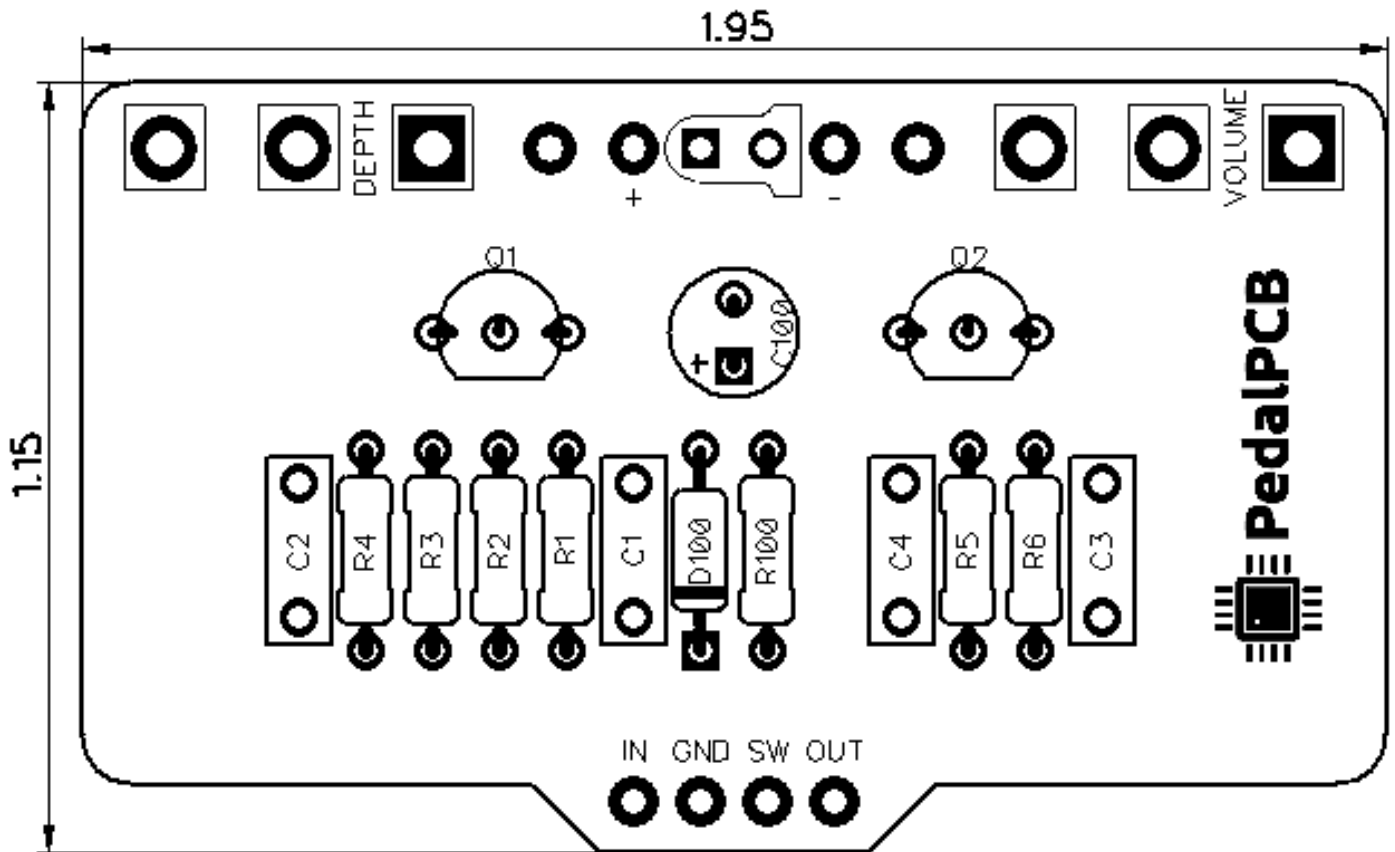


PedalPCB

Starboard Fuzz

Revision 07.02.18



Controls

- **Volume** - Sets the overall output volume
- **Depth** - Controls the amount of fuzz

All trademarks and registered trademarks are the property of their respective owners. The company, product, and service names used in this web site are for identification purposes only. Use of these names, logos, and brands does not imply endorsement.

Starboard Fuzz

Parts List

RESISTORS

R1 2M
R2 470K
R3 470K
R4 22K
R5 470K
R6 470K
R100 4K7

CAPACITORS

C1 47n
C2 2n2
C3 2n2
C4 47n
C100 47u

TRANSISTORS

Q1 2N3904
Q2 2N3904

DIODES

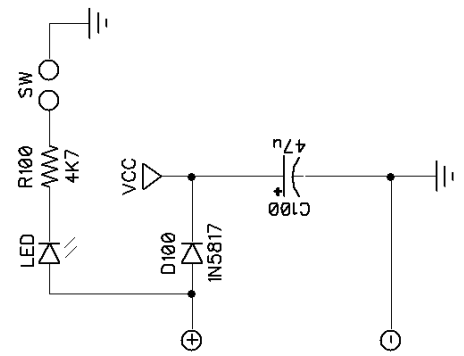
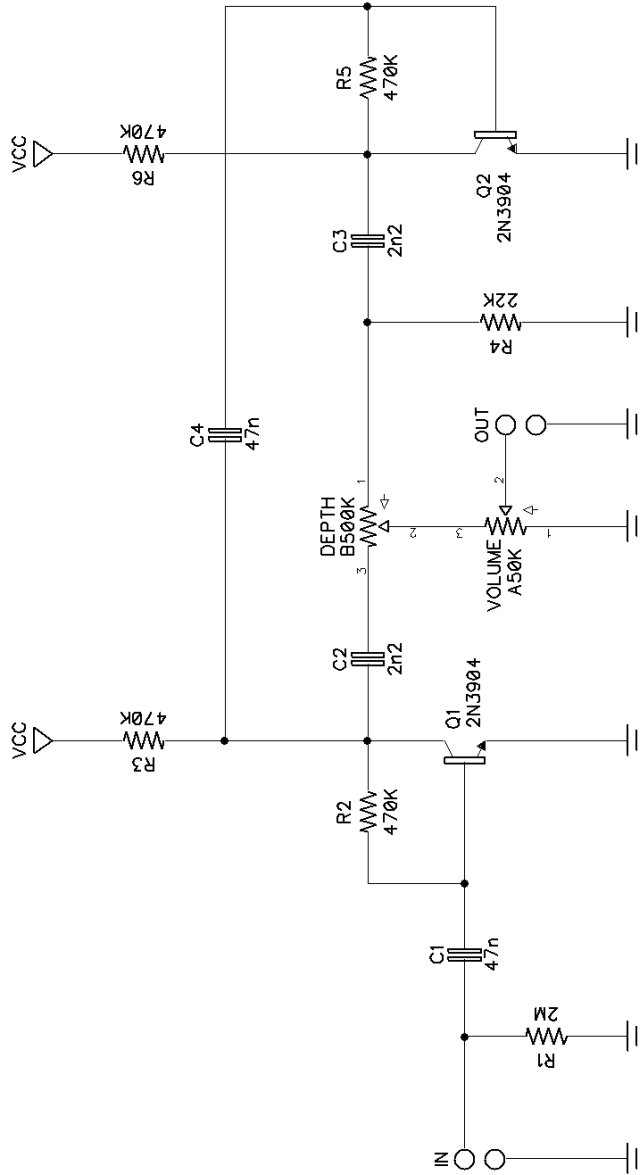
D100 1N5817

POTENTIOMETERS

DEPTH B500K
VOLUME A50K

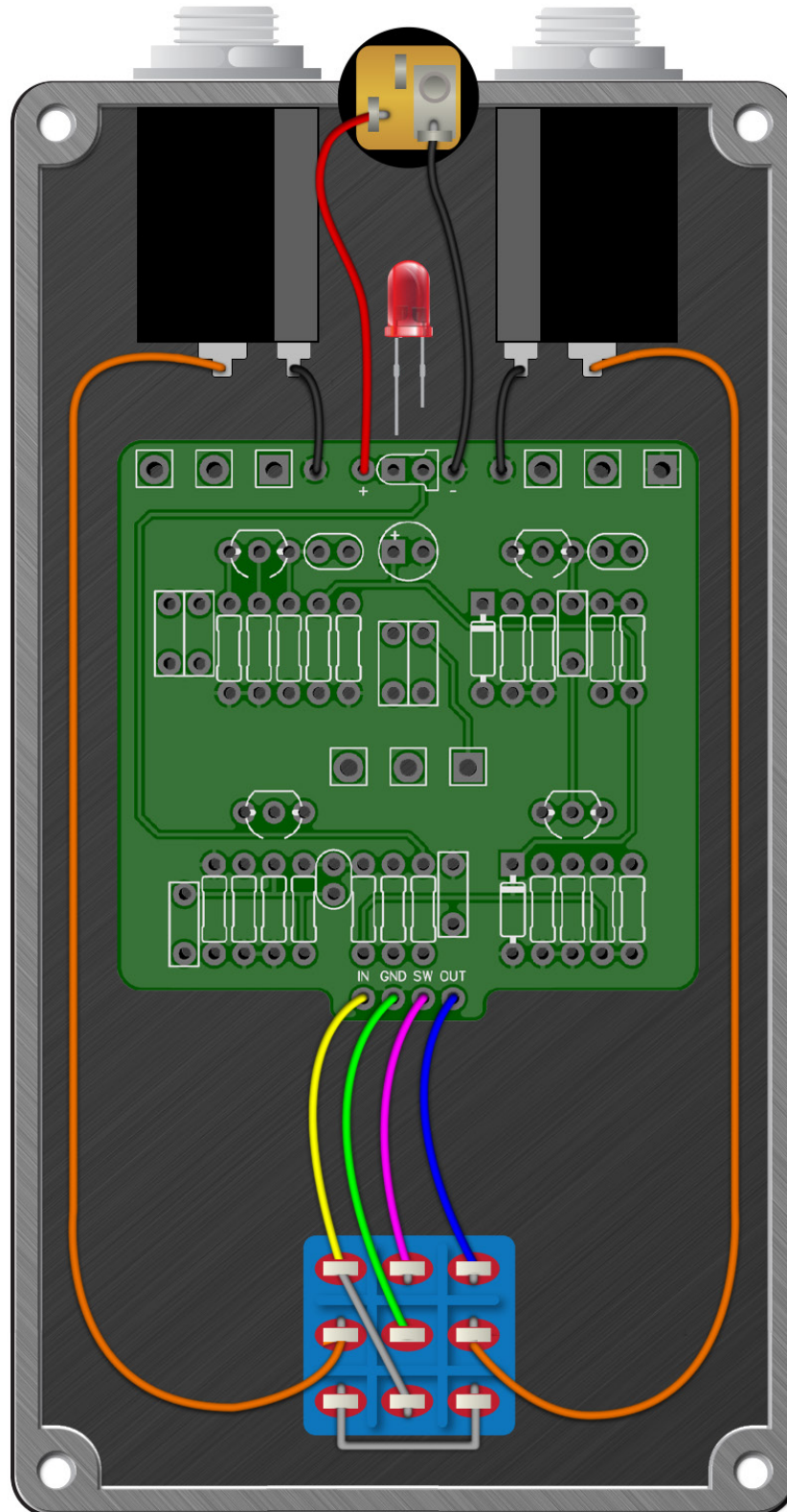


Starboard Fuzz



Starboard Fuzz

Wiring Diagram



Starboard Fuzz

Drill Template
125B enclosure with top mounted jacks

