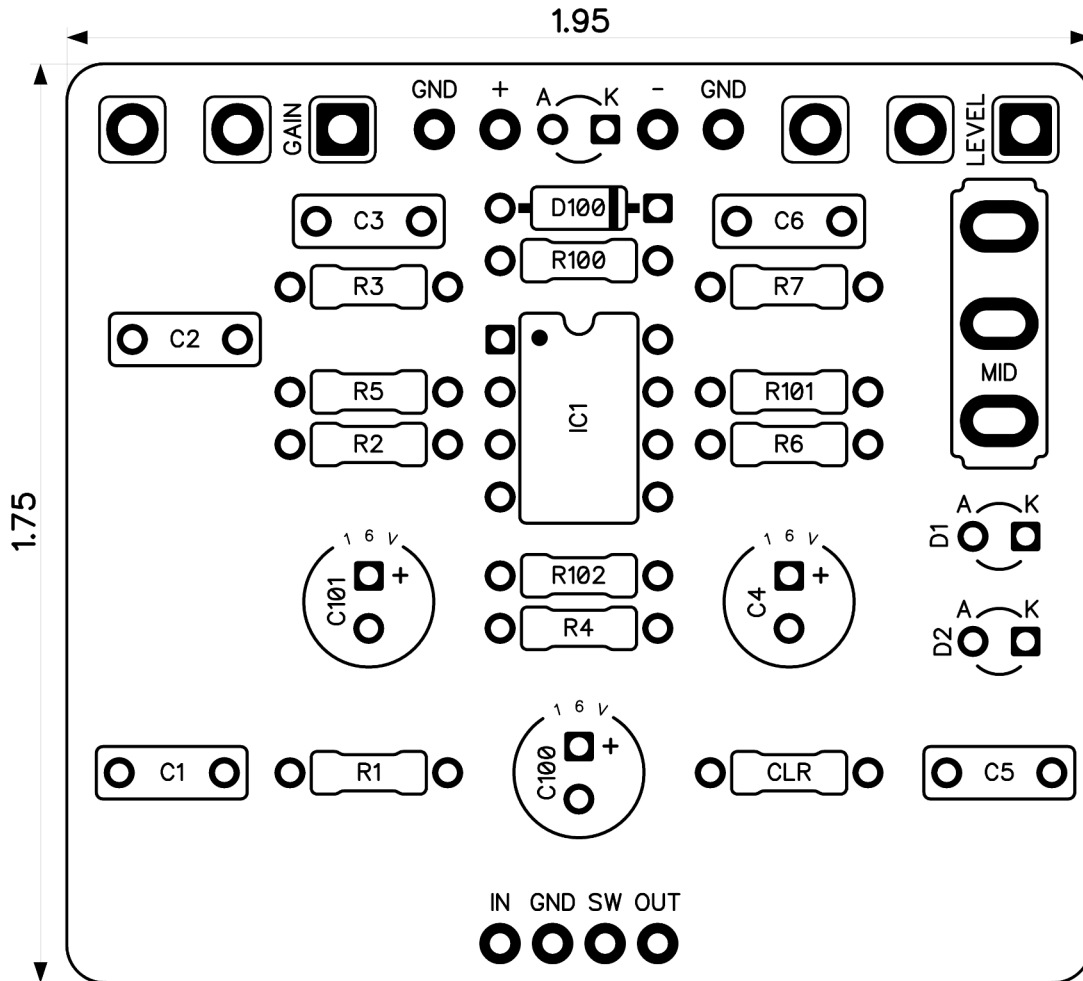




PedalPCB

Star Crunch

Revised 5/7/23



CONTROLS AND FEATURES

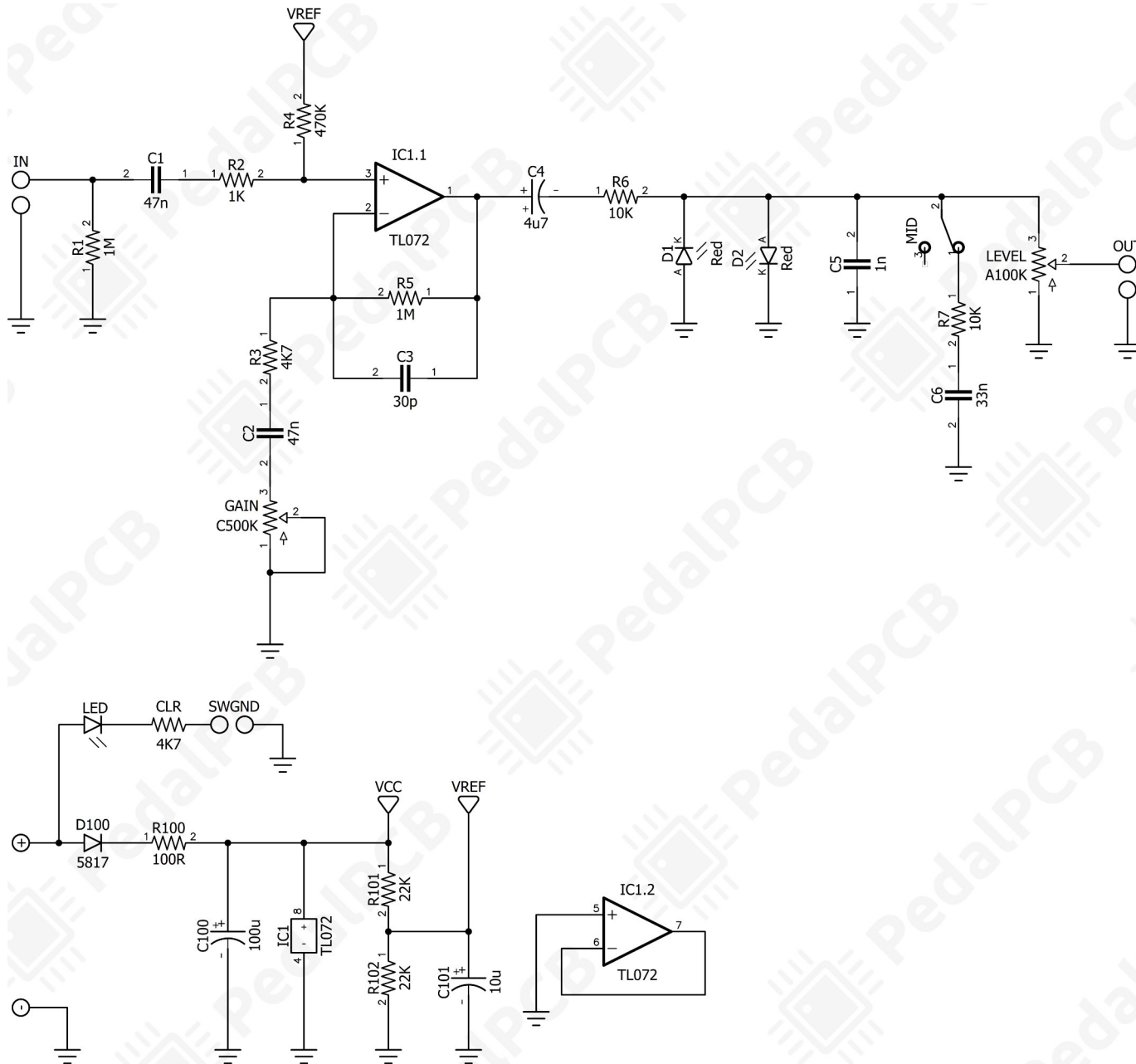
- Level
- Gain
- Mid Cut/Boost (Toggle switch)

All trademarks and registered trademarks are the property of their respective owners. The company, product, and service names used in this web site are for identification purposes only. Use of these names, logos, and brands does not imply endorsement.

LOCATION	VALUE	TYPE	NOTES
R1	1M	Resistor, 1/4W	
R2	1K	Resistor, 1/4W	
R3	4K7	Resistor, 1/4W	
R4	470K	Resistor, 1/4W	
R5	1M	Resistor, 1/4W	
R6	10K	Resistor, 1/4W	
R7	10K	Resistor, 1/4W	
R100	100R	Resistor, 1/4W	
R101	22K	Resistor, 1/4W	
R102	22K	Resistor, 1/4W	
CLR	4K7	Resistor, 1/4W	* LED current limiting resistor
C1	47n	Film capacitor, 7.2 x 2.5mm	
C2	47n	Film capacitor, 7.2 x 2.5mm	
C3	30p	Ceramic capacitor	
C4	4u7	Electrolytic capacitor, 5mm	
C5	1n	Film capacitor, 7.2 x 2.5mm	
C6	33n	Film capacitor, 7.2 x 2.5mm	
C100	100u	Electrolytic capacitor, 5mm	
C101	10u	Electrolytic capacitor, 5mm	
D1	Red	3mm Red LED, Water clear	
D2	Red	3mm Red LED, Water clear	
D100	1N5817	Schottky diode, DO-41	
IC1	TL072	Dual op-amp, DIP8	
LEVEL	A100K	16mm right-angle PCB mount pot	
GAIN	C500K	16mm right-angle PCB mount pot	

Star Crunch

Schematic Diagram





Star Crunch

Drill Template
125B Enclosure

