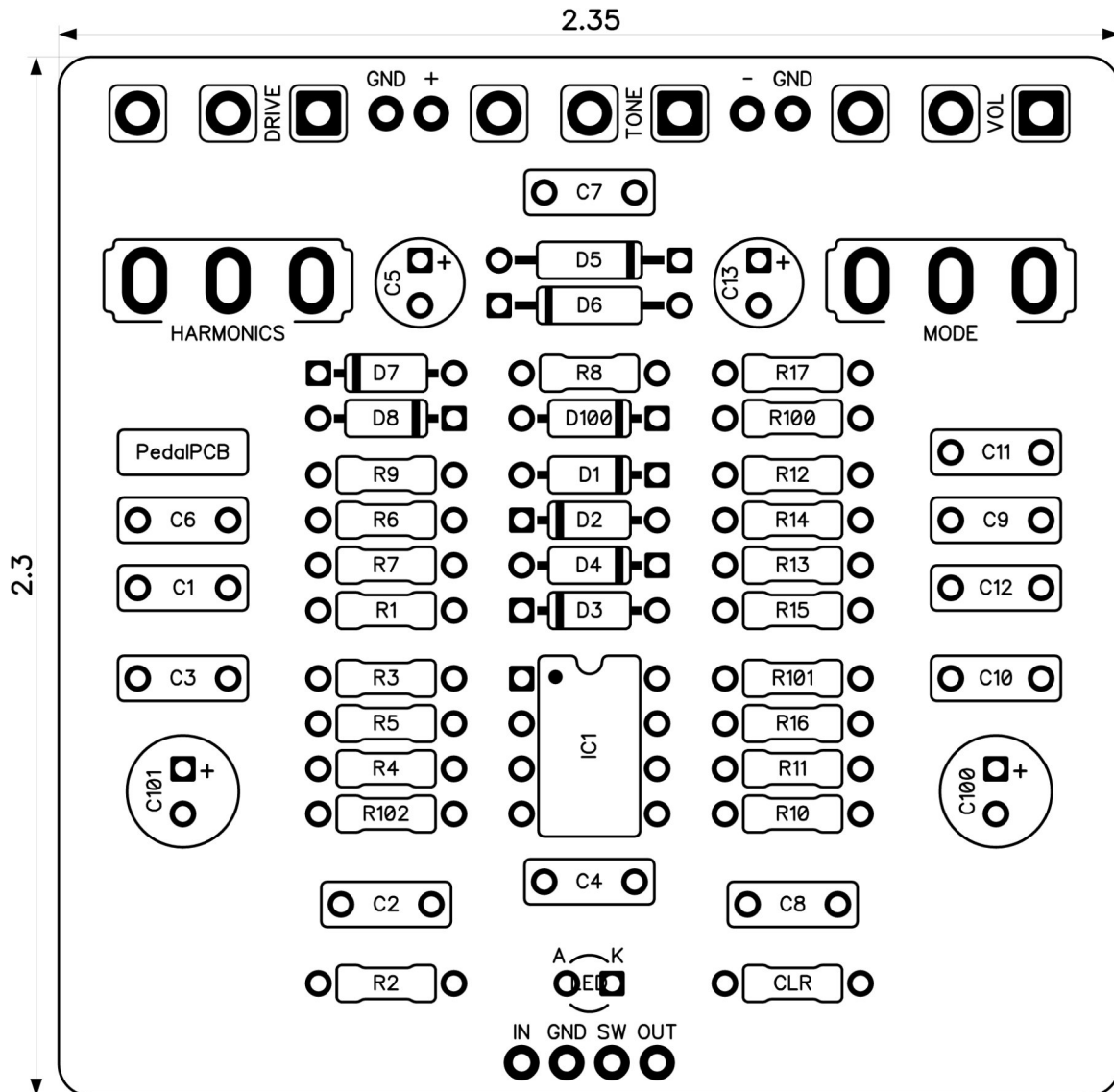


# PedalPCB

## Stagecoach Overdrive

Revised 4/14/24



### CONTROLS AND FEATURES

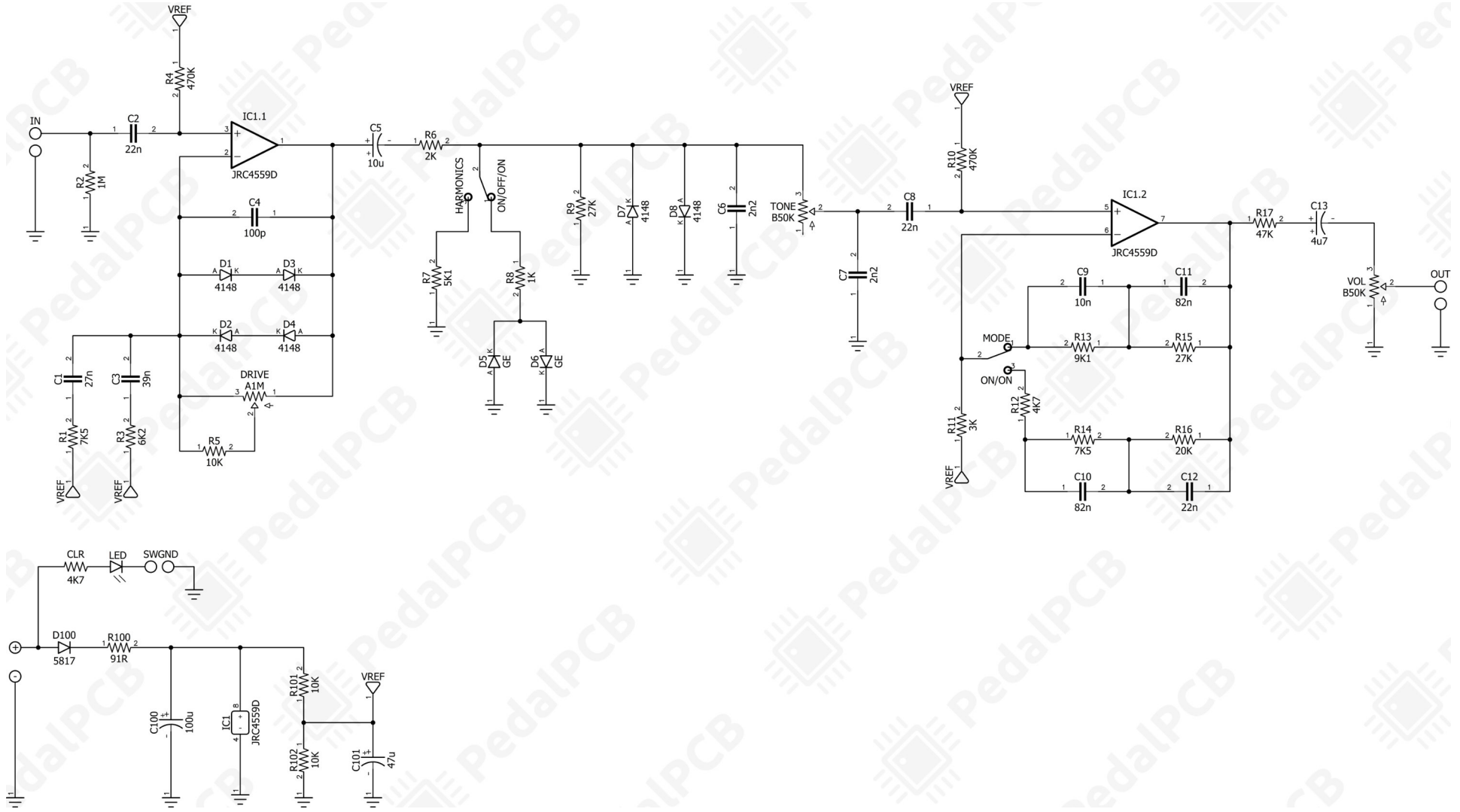
- Volume
- Tone
- Drive
- Mode (Toggle switch)
- Harmonics (Toggle switch)

All trademarks and registered trademarks are the property of their respective owners. The company, product, and service names used in this web site are for identification purposes only. Use of these names, logos, and brands does not imply endorsement.

LOCATION	VALUE	TYPE	NOTES
R1	7K5	Resistor, 1/4W	
R2	1M	Resistor, 1/4W	
R3	6K2	Resistor, 1/4W	
R4	470K	Resistor, 1/4W	
R5	10K	Resistor, 1/4W	
R6	2K	Resistor, 1/4W	
R7	5K1	Resistor, 1/4W	
R8	1K	Resistor, 1/4W	
R9	27K	Resistor, 1/4W	
R10	470K	Resistor, 1/4W	
R11	3K	Resistor, 1/4W	
R12	4K7	Resistor, 1/4W	
R13	9K1	Resistor, 1/4W	
R14	7K5	Resistor, 1/4W	
R15	27K	Resistor, 1/4W	
R16	20K	Resistor, 1/4W	
R17	47K	Resistor, 1/4W	
R100	91R	Resistor, 1/4W	
R101	10K	Resistor, 1/4W	
R102	10K	Resistor, 1/4W	
CLR	4K7	Resistor, 1/4W	* LED current limiting resistor
C1	27n	Film capacitor, 7.2 x 2.5mm	
C2	22n	Film capacitor, 7.2 x 2.5mm	
C3	39n	Film capacitor, 7.2 x 2.5mm	
C4	100p	Ceramic capacitor	
C5	10u	Electrolytic capacitor, 5mm	
C6	2n2	Film capacitor, 7.2 x 2.5mm	
C7	2n2	Film capacitor, 7.2 x 2.5mm	
C8	22n	Film capacitor, 7.2 x 2.5mm	
C9	10n	Film capacitor, 7.2 x 2.5mm	
C10	82n	Film capacitor, 7.2 x 2.5mm	
C11	82n	Film capacitor, 7.2 x 2.5mm	
C12	22n	Film capacitor, 7.2 x 2.5mm	
C13	4u7	Electrolytic capacitor, 5mm	
C100	100u	Electrolytic capacitor, 5mm	
C101	47u	Electrolytic capacitor, 5mm	
D1	1N4148	Signal diode, DO-35	
D2	1N4148	Signal diode, DO-35	
D3	1N4148	Signal diode, DO-35	
D4	1N4148	Signal diode, DO-35	
D5	GE	Germanium diode	
D6	GE	Germanium diode	
D7	1N4148	Signal diode, DO-35	
D8	1N4148	Signal diode, DO-35	
D100	1N5817	Schottky diode, DO-41	
IC1	JRC4559D	Dual op-amp, DIP8	
VOL	B50K	16mm right-angle PCB mount pot	
TONE	B50K	16mm right-angle PCB mount pot	
DRIVE	A1M	16mm right-angle PCB mount pot	
MODE	ON/ON	Toggle switch, SPDT	2-position (ON/ON)
HARMONICS	ON/OFF/ON	Toggle switch, SPDT	3-position (ON/OFF/ON)

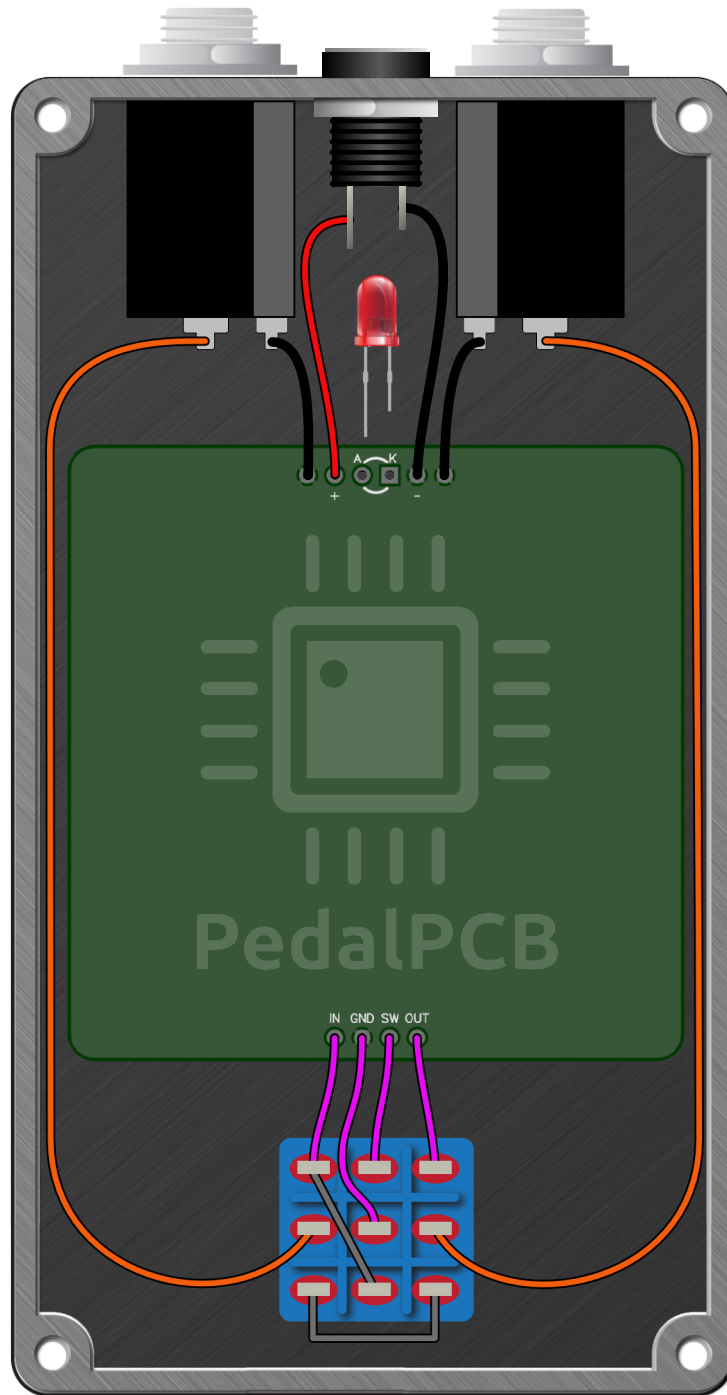
# Stagecoach Overdrive

Schematic Diagram



# Stagecoach Overdrive

Wiring Diagram



# Stagecoach Overdrive

Drill Template  
125B Enclosure

