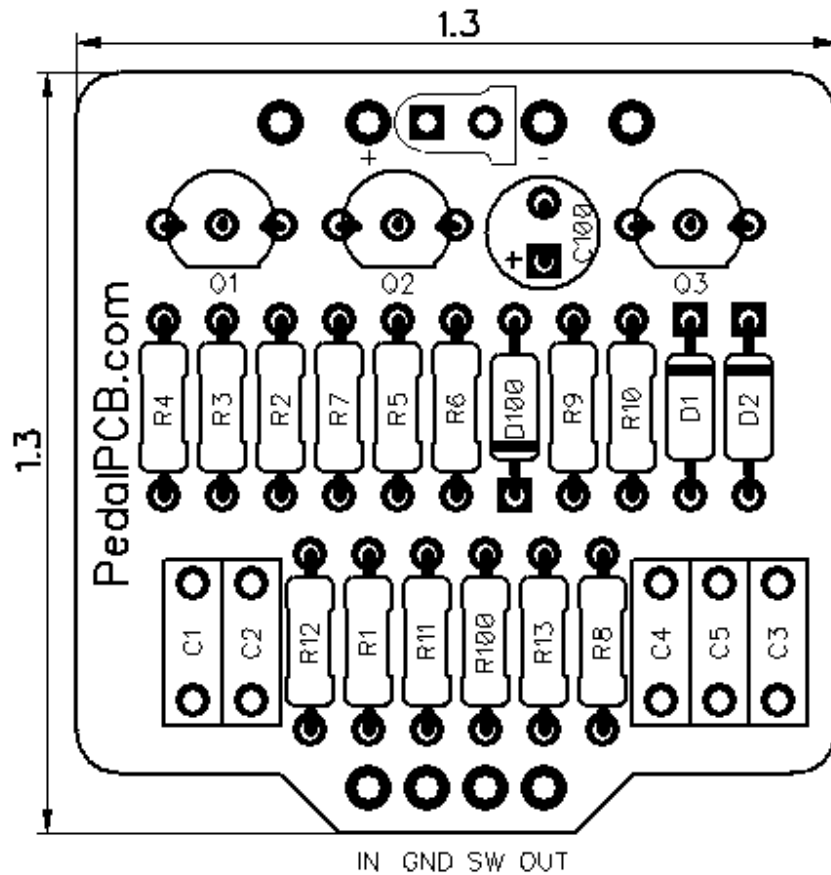


PedalPCB

Squidward

Revision 04.04.20



Controls

None!

RESISTORS

R1 2M2
R2 160K
R3 560K
R4 6K2
R5 18K
R6 10K
R7 10K
R8 68K
R9 68K
R10 10K
R11 22K
R12 22K
R13 47K
R100 4K7

CAPACITORS

C1 100p
C2 47n
C3 47n
C4 47n
C5 100n
C100 100u

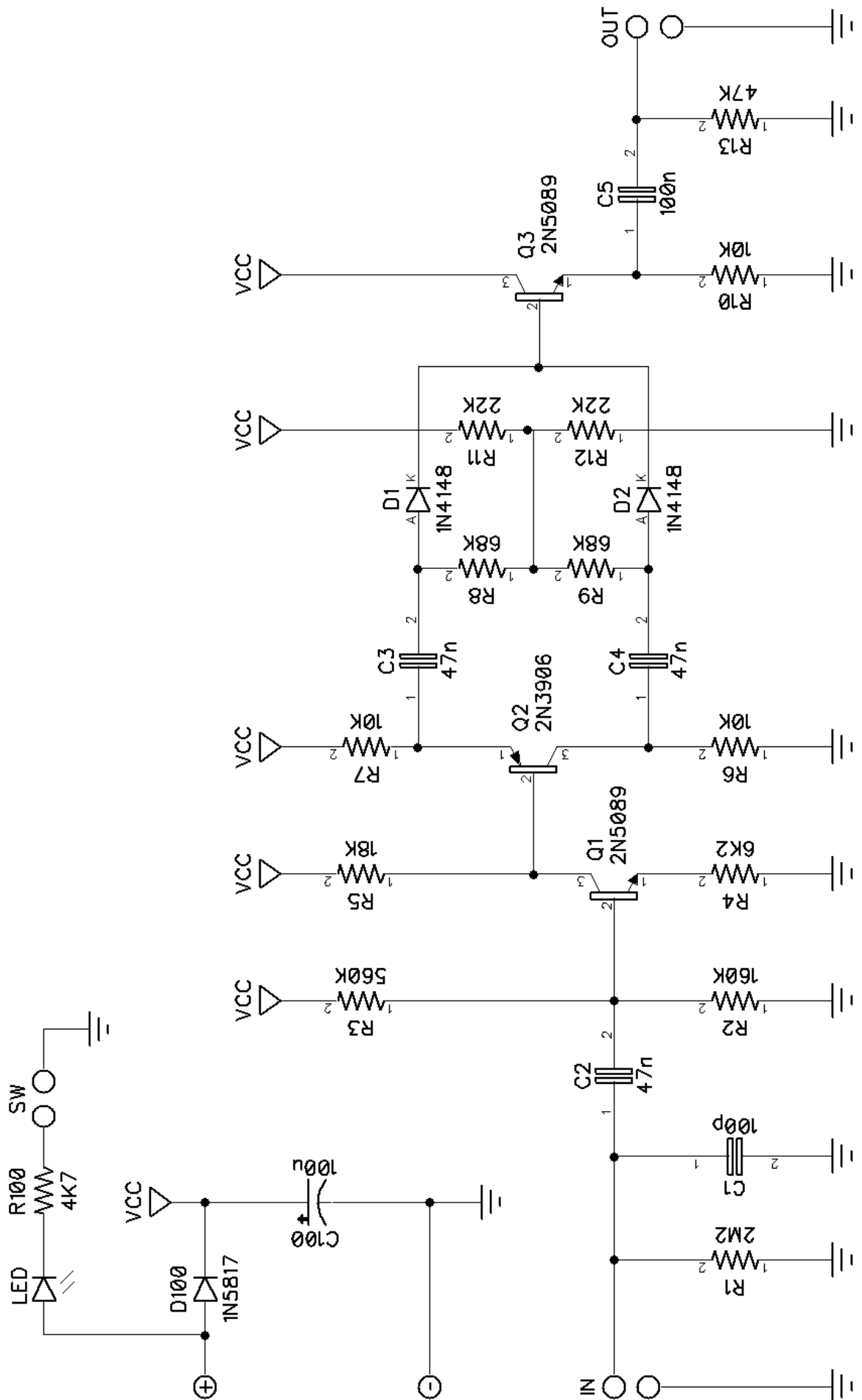
TRANSISTORS

Q1 2N5089
Q2 2N3906
Q3 2N5089

DIODES

D1 1N4148
D2 1N4148
D100 1N5817

Squidward





Squidward

Drill Template
125B enclosure with top mounted jacks

