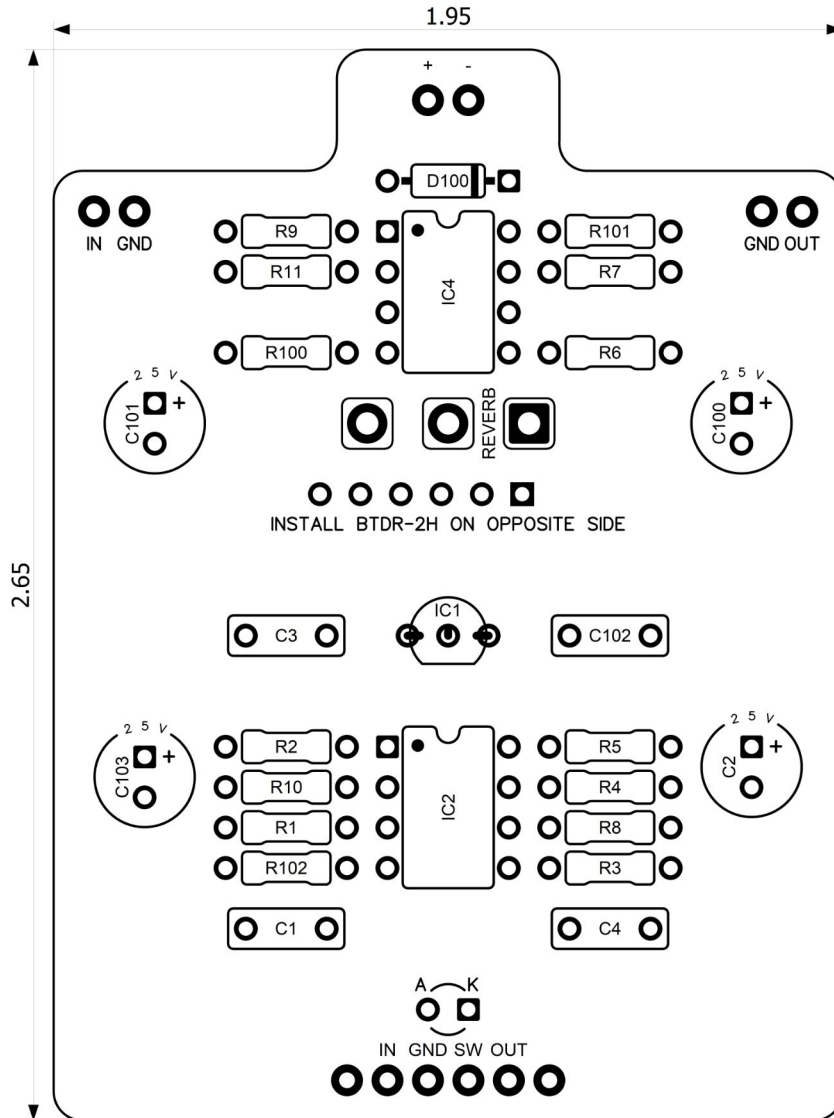


PedalPCB

Sproing Reverb

Revised 10/27/22



CONTROLS AND FEATURES

- Reverb

All trademarks and registered trademarks are the property of their respective owners. The company, product, and service names used in this web site are for identification purposes only. Use of these names, logos, and brands does not imply endorsement.

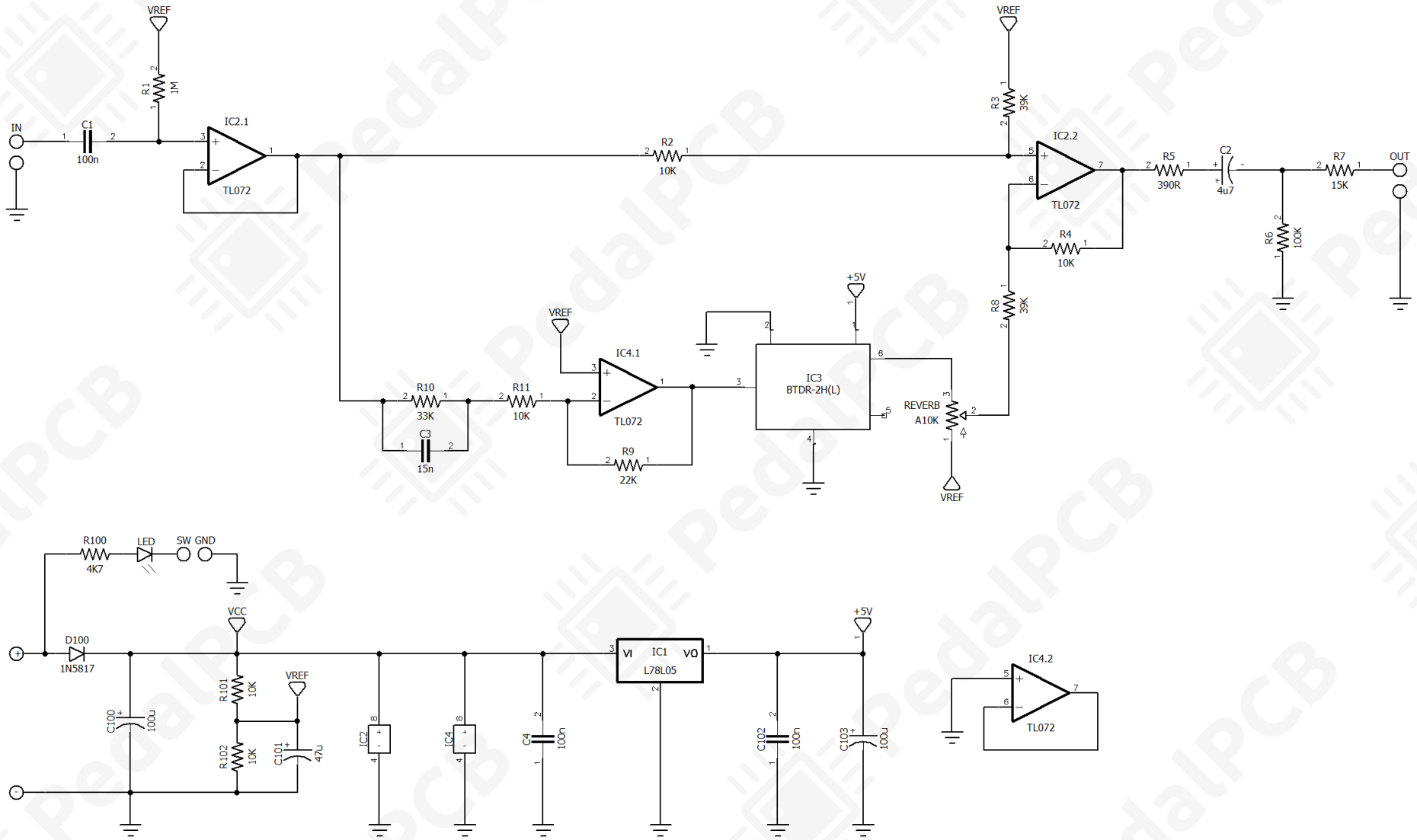
Sproing Reverb

Parts List (Page 1 of 1)

| Resistor, 1/4W | VALUE | TYPE | NOTES |
|----------------|------------|----------------------------------|-------|
| R1 | 1M | Resistor, 1/4W | |
| R2 | 10K | Resistor, 1/4W | |
| R3 | 39K | Resistor, 1/4W | |
| R4 | 10K | Resistor, 1/4W | |
| R5 | 390R | Resistor, 1/4W | |
| R6 | 100K | Resistor, 1/4W | |
| R7 | 15K | Resistor, 1/4W | |
| R8 | 39K | Resistor, 1/4W | |
| R9 | 22K | Resistor, 1/4W | |
| R10 | 33K | Resistor, 1/4W | |
| R11 | 10K | Resistor, 1/4W | |
| R100 | 4K7 | Resistor, 1/4W | |
| R101 | 10K | Resistor, 1/4W | |
| R102 | 10K | Resistor, 1/4W | |
| | | | |
| C1 | 100n | Film capacitor, 7.2 x 2.5mm | |
| C2 | 4u7 | Electrolytic capacitor, 5mm | |
| C3 | 15n | Film capacitor, 7.2 x 2.5mm | |
| C4 | 100n | Film capacitor, 7.2 x 2.5mm | |
| C100 | 100u | Electrolytic capacitor, 5mm | |
| C101 | 47u | Electrolytic capacitor, 5mm | |
| C102 | 100n | Film capacitor, 7.2 x 2.5mm | |
| C103 | 100u | Electrolytic capacitor, 5mm | |
| | | | |
| D100 | 1N5817 | Schottky diode, DO-41 | |
| | | | |
| IC1 | L78L05 | Voltage regulator, +5V | |
| IC2 | TL072 | Dual op-amp, DIP8 | |
| IC3 | BTDR-2H(L) | Accutronics/Belton Reverb Module | |
| IC4 | TL072 | Dual op-amp, DIP8 | |
| | | | |
| REVERB | A10K | 16mm right-angle PCB mount pot | |
| | | | |
| | | | |
| | | | |
| | | | |
| | | | |
| | | | |
| | | | |
| | | | |
| | | | |
| | | | |
| | | | |
| | | | |
| | | | |
| | | | |
| | | | |
| | | | |
| | | | |
| | | | |
| | | | |
| | | | |
| | | | |
| | | | |
| | | | |
| | | | |
| | | | |
| | | | |
| | | | |
| | | | |
| | | | |

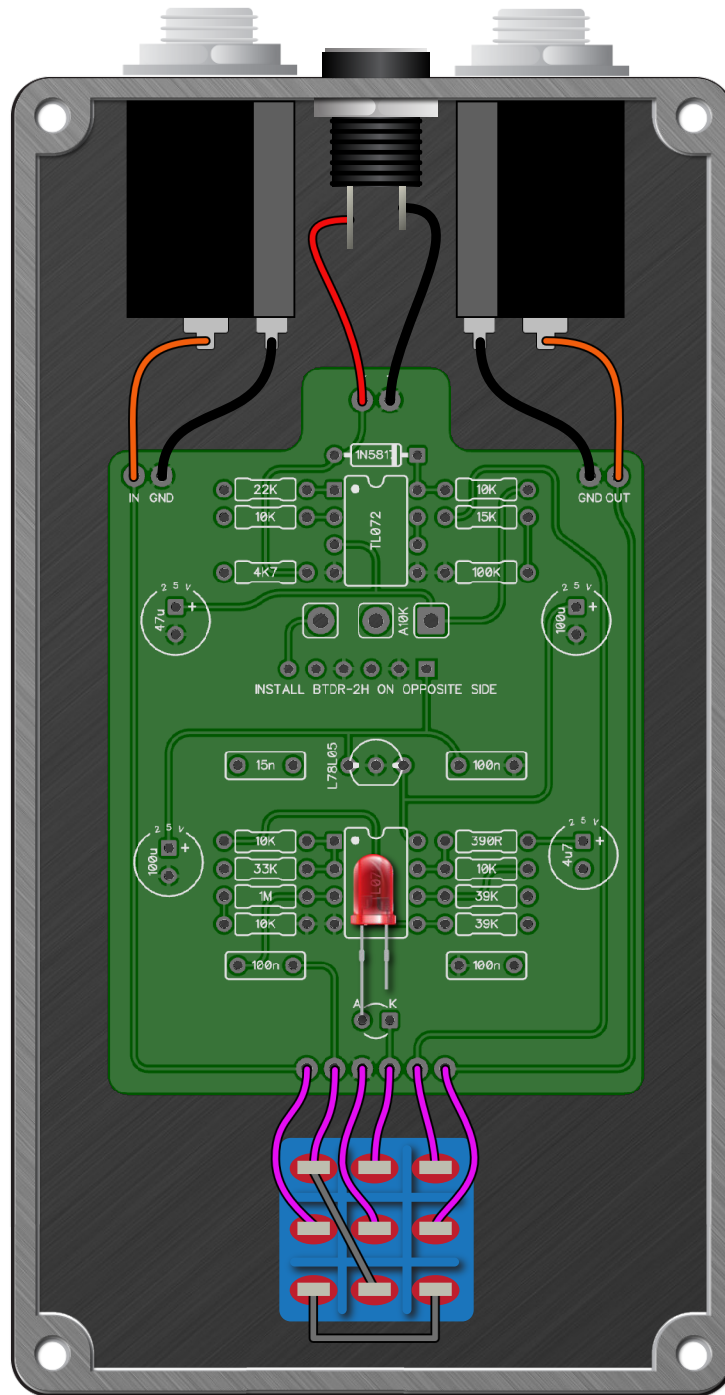
Sproing Reverb

Schematic Diagram



Sproing Reverb

Wiring Diagram



Sproing Reverb

Drill Template
125B Enclosure

