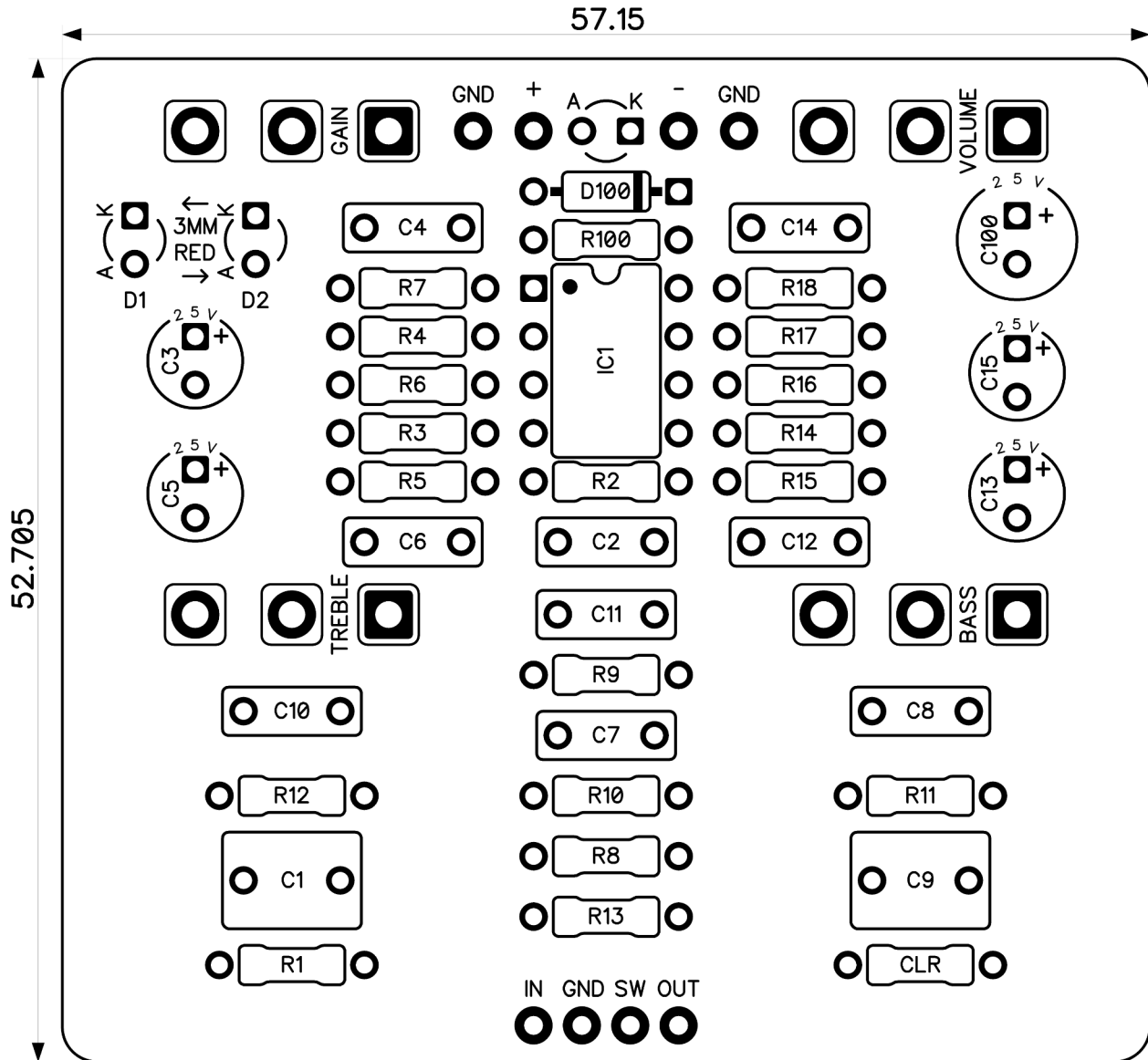




Splendiferous Overdrive

Revised 12/15/23



CONTROLS AND FEATURES

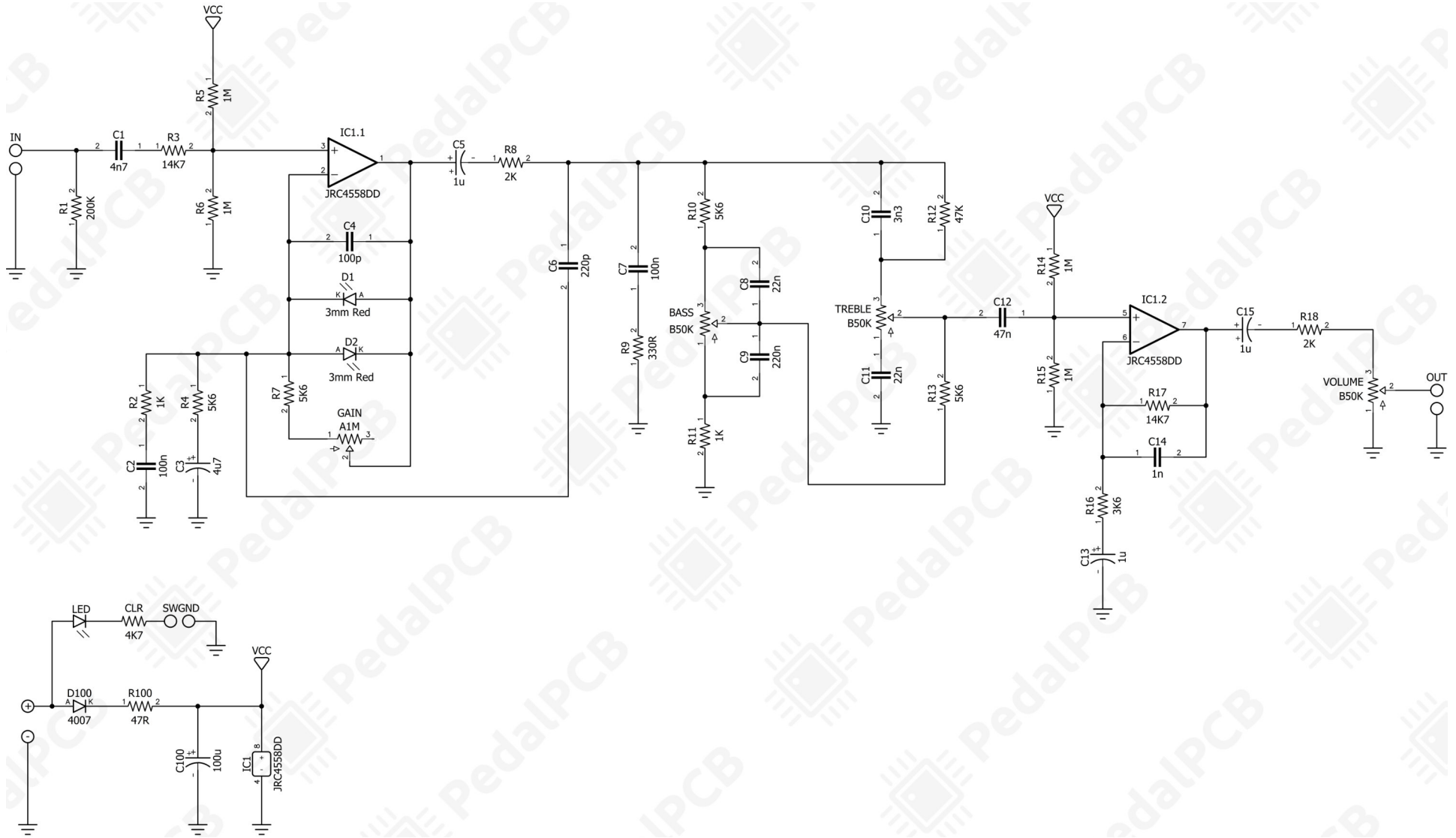
- Volume
- Gain
- Bass
- Treble

All trademarks and registered trademarks are the property of their respective owners. The company, product, and service names used in this web site are for identification purposes only. Use of these names, logos, and brands does not imply endorsement.

LOCATION	VALUE	TYPE	NOTES
R1	200K	Resistor, 1/4W	
R2	1K	Resistor, 1/4W	
R3	14K7	Resistor, 1/4W	
R4	5K6	Resistor, 1/4W	
R5	1M	Resistor, 1/4W	
R6	1M	Resistor, 1/4W	
R7	5K6	Resistor, 1/4W	
R8	2K	Resistor, 1/4W	
R9	330R	Resistor, 1/4W	
R10	5K6	Resistor, 1/4W	
R11	1K	Resistor, 1/4W	
R12	47K	Resistor, 1/4W	
R13	5K6	Resistor, 1/4W	
R14	1M	Resistor, 1/4W	
R15	1M	Resistor, 1/4W	
R16	3K6	Resistor, 1/4W	
R17	14K7	Resistor, 1/4W	
R18	2K	Resistor, 1/4W	
R100	47R	Resistor, 1/4W	
CLR	4K7	Resistor, 1/4W	* LED current limiting resistor
C1	4n7	Film capacitor, 7.2 x 2.5mm	
C2	100n	Film capacitor, 7.2 x 2.5mm	
C3	4u7	Electrolytic capacitor, 5mm	
C4	100p	Ceramic capacitor	
C5	1u	Electrolytic capacitor, 5mm	
C6	220p	Ceramic capacitor	
C7	100n	Film capacitor, 7.2 x 2.5mm	
C8	22n	Film capacitor, 7.2 x 2.5mm	
C9	220n	Film capacitor, 7.2 x 5.0mm	
C10	3n3	Film capacitor, 7.2 x 2.5mm	
C11	22n	Film capacitor, 7.2 x 2.5mm	
C12	47n	Film capacitor, 7.2 x 2.5mm	
C13	1u	Electrolytic capacitor, 5mm	
C14	1n	Film capacitor, 7.2 x 2.5mm	
C15	1u	Electrolytic capacitor, 5mm	
C100	100u	Electrolytic capacitor, 5mm	
D1	3mm Red	3mm Red LED, Diffused	
D2	3mm Red	3mm Red LED, Diffused	
D100	1N4007	Standard recovery diode, DO-41	
IC1	JRC4558DD	Dual op-amp, DIP8	
VOLUME	B50K	16mm right-angle PCB mount pot	
GAIN	A1M	16mm right-angle PCB mount pot	
BASS	B50K	16mm right-angle PCB mount pot	
TREBLE	B50K	16mm right-angle PCB mount pot	

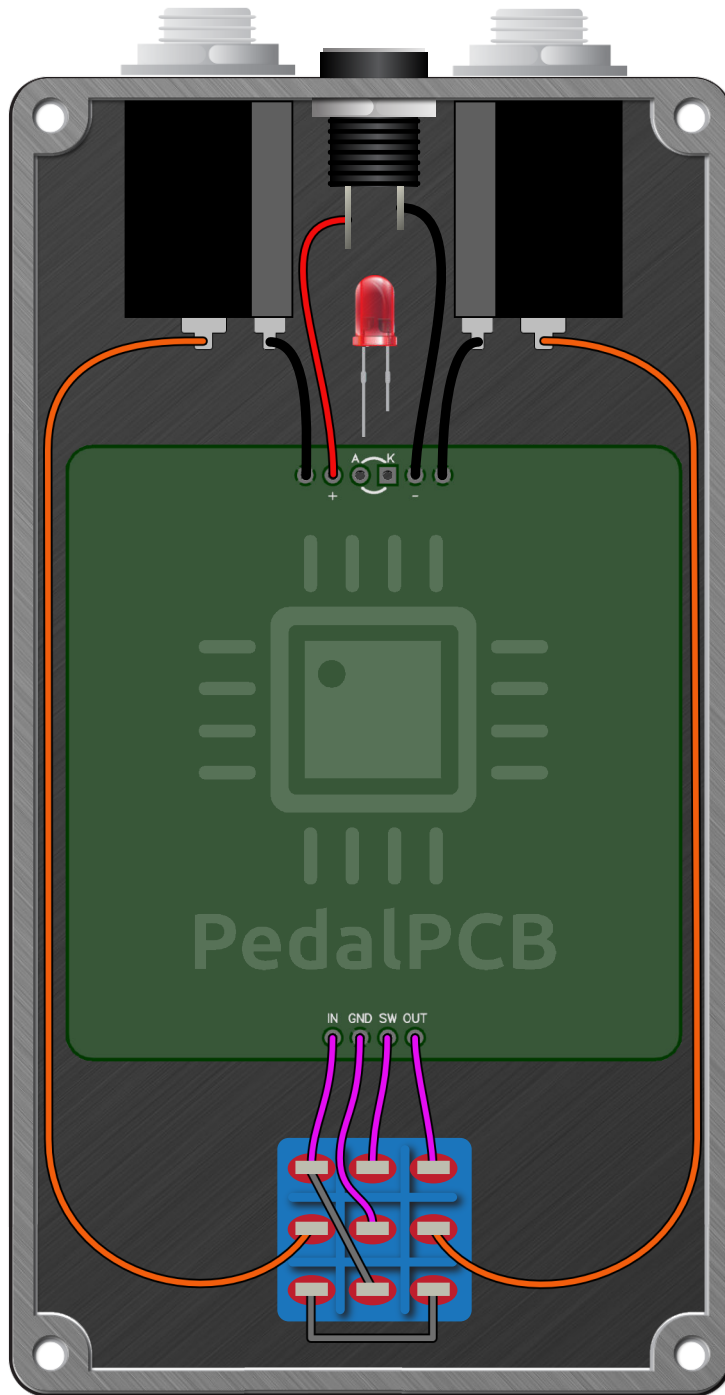
Splendiferous Overdrive

Schematic Diagram



Splendiferous Overdrive

Wiring Diagram



Splendiferous Overdrive

Drill Template
125B Enclosure

