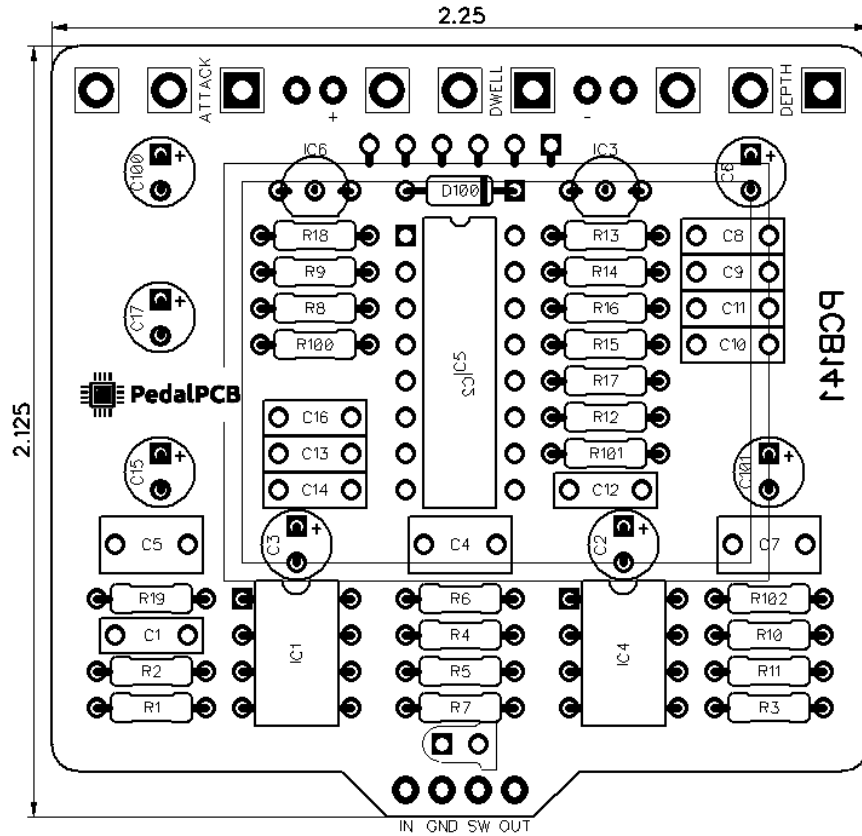




PedalPCB

Spirit Box

Revision 12.18.20



Controls

- **Attack** - Controls the length of pre-delay
- **Dwell** - Adjusts the length of decay
- **Depth** - Mixes the wet signal into the dry signal

All trademarks and registered trademarks are the property of their respective owners. The company, product, and service names used in this web site are for identification purposes only. Use of these names, logos, and brands does not imply endorsement.

Spirit Box

Parts List

RESISTORS

R1 1M
R2 1M
R3 12K
R4 10K
R5 10K
R6 470R
R7 100K
R8 22K
R9 10K
R10 10K
R11 22K
R12 33K
R13 10K
R14 15K
R15 10K
R16 15K
R17 15K
R18 1K
R19 22K
R100 4K7
R101 10K
R102 10K

CAPACITORS

C1 100n
C2 1u
C3 2u2
C4 470n
C5 470n
C6 10u
C7 470n
C8 1n
C9 2n2
C10 100n
C11 10n
C12 100n
C13 100n
C14 100n
C15 10u
C16 100n
C17 100u
C100 100u
C101 10u

INTEGRATED CIRCUITS

IC1 TL072
IC2 BTDR-2H (Long)
IC3 L78L05
IC4 TL072
IC5 PT2399
IC6 L78L05

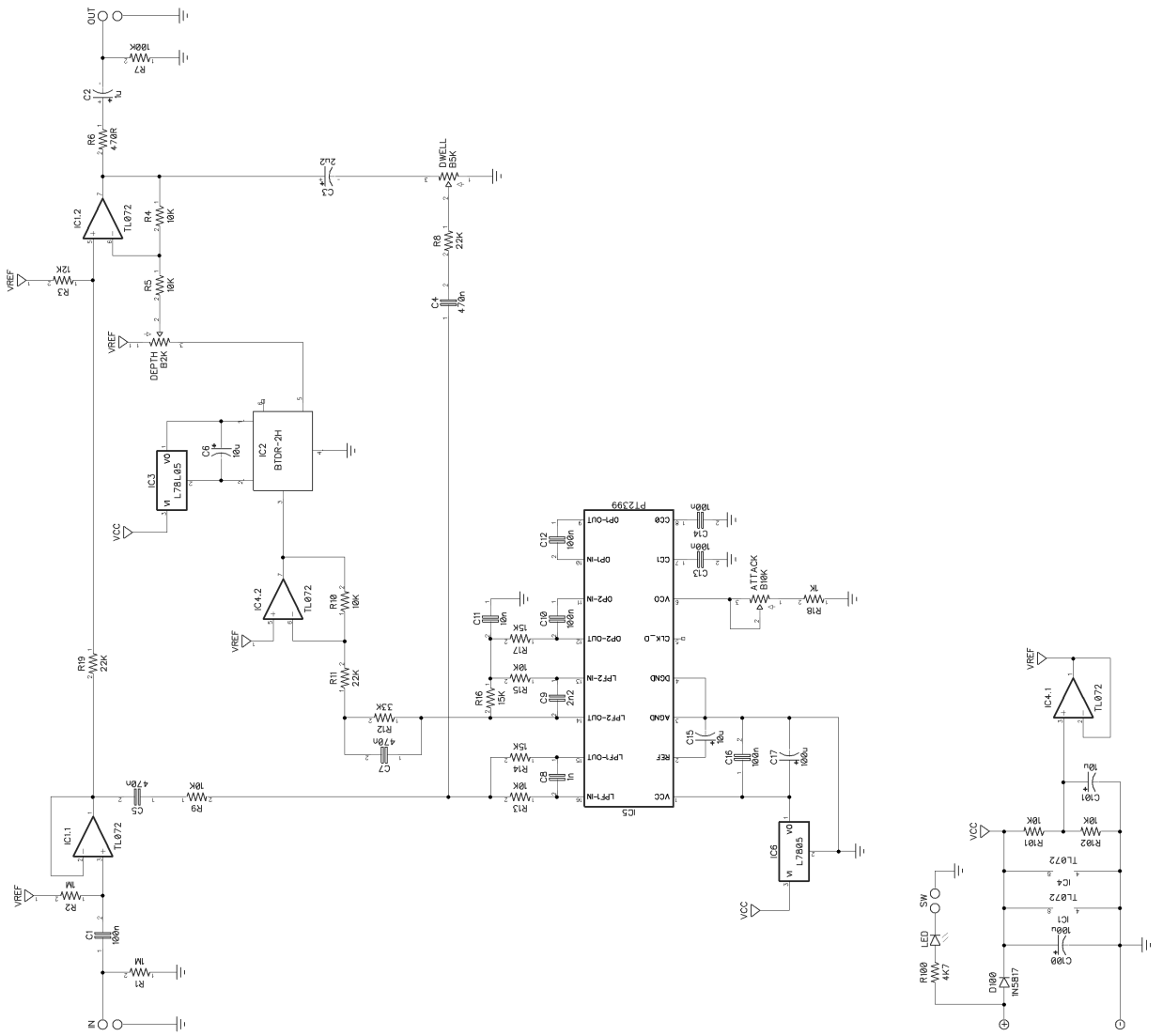
DIODES

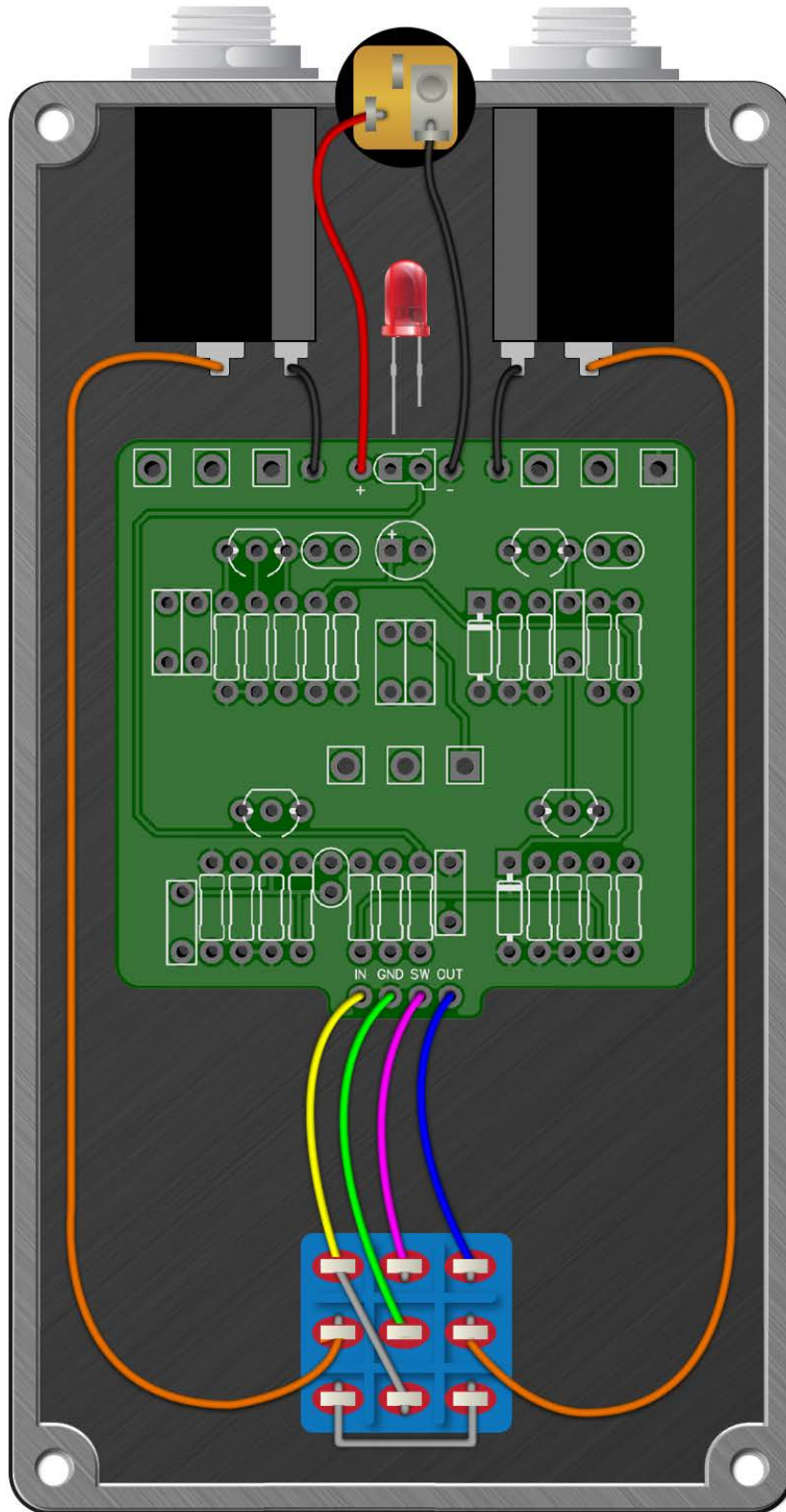
D100 1N5817

POTENTIOMETERS

ATTACK B10K
DEPTH B2K
DWELL B5K

PedalPCB
Spirit Box





Spirit Box

Drill Template
125B enclosure with top mounted jacks

