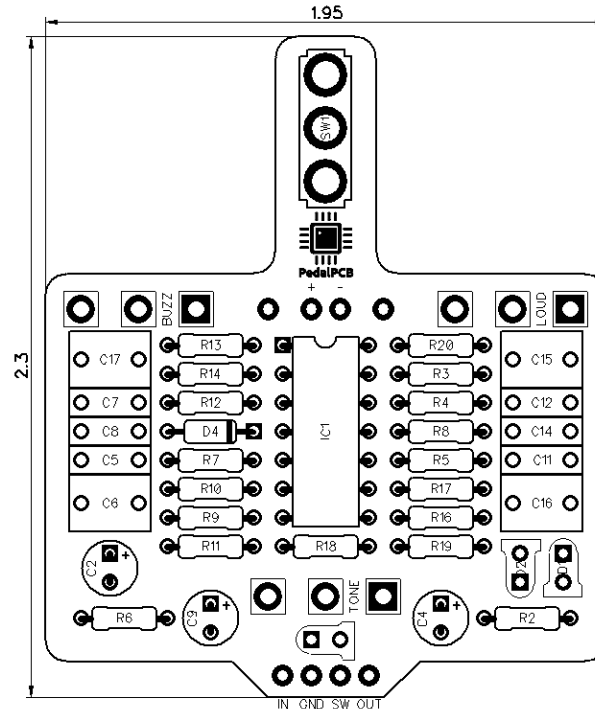


# PedalPCB

## Sour Grape Fuzz

Revision 05.28.18



### Introduction

The Sour Grape Fuzz was inspired by a particular boutique op amp fuzz pedal.

### Controls

- **Buzz** – Sets the amount of fuzz
- **Tone** – Controls the High / Low frequency content
- **Loud** – Adjusts the overall output volume
- **EQ Taper** (*Toggle switch*) – Controls the midrange content of the **Tone** control

*All trademarks and registered trademarks are the property of their respective owners. The company, product, and service names used in this web site are for identification purposes only. Use of these names, logos, and brands does not imply endorsement.*

# Sour Grape Fuzz

## Parts List

### RESISTORS

R2 4K7  
R3 3K9  
R4 10K  
R5 10K  
R6 1M  
R7 470K  
R8 470K  
R9 220K  
R10 22K  
R11 10K  
R12 47K  
R13 15K  
R14 5K6  
R16 220R  
R17 100K  
R18 27K  
R19 5K6  
R20 1K5

### CAPACITORS

C2 100u  
C4 10u  
C5 10n  
C6 470n  
C7 4n7  
C8 4n7  
C9 10u  
C11 330p  
C12 100n  
C14 100n  
C15 1u  
C16 1u  
C17 1u

### POTENTIOMETERS

BUZZ B100K  
LOUD A50K  
TONE B10K

### SWITCHES

SW1 SPDT Toggle (ON/OFF/ON)

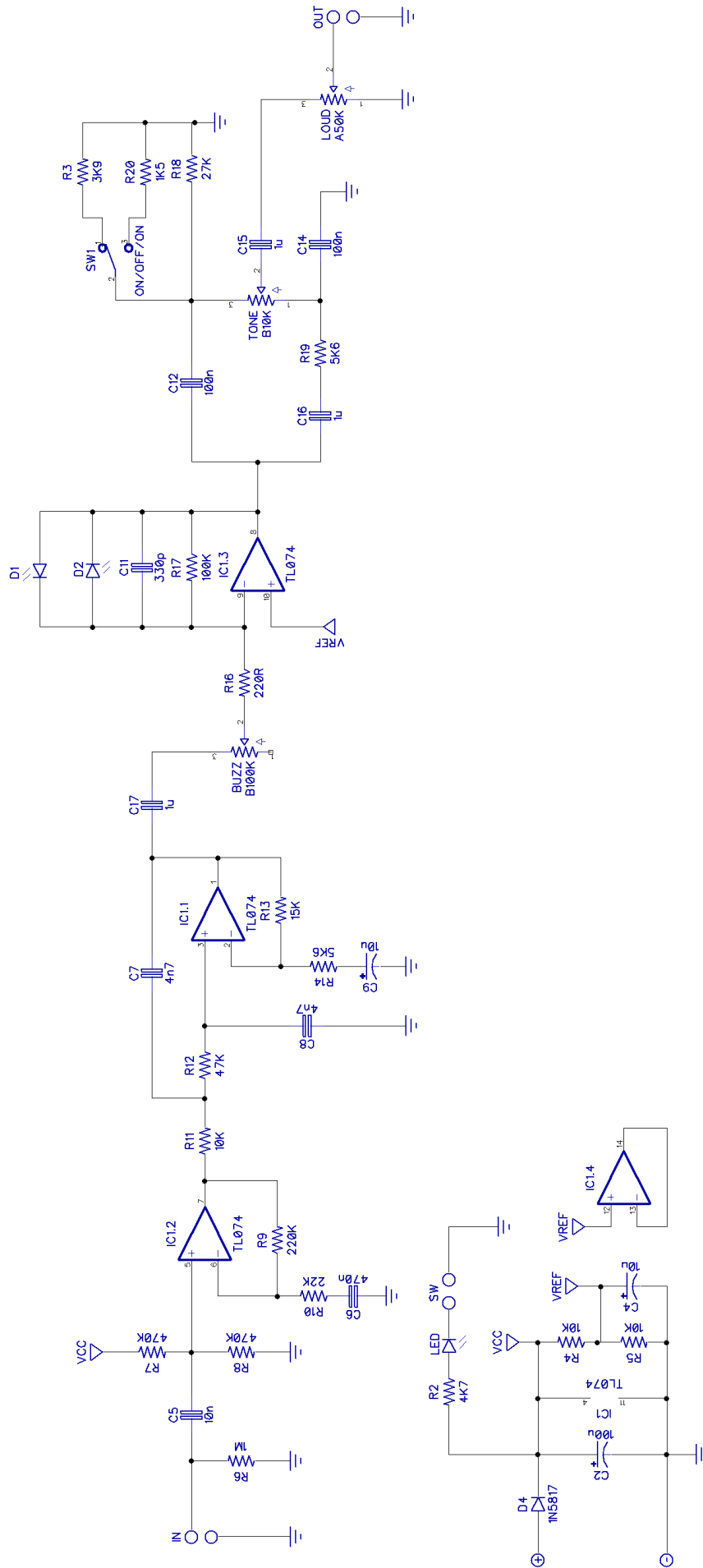
### INTEGRATED CIRCUITS

IC1 TL074

### DIODES

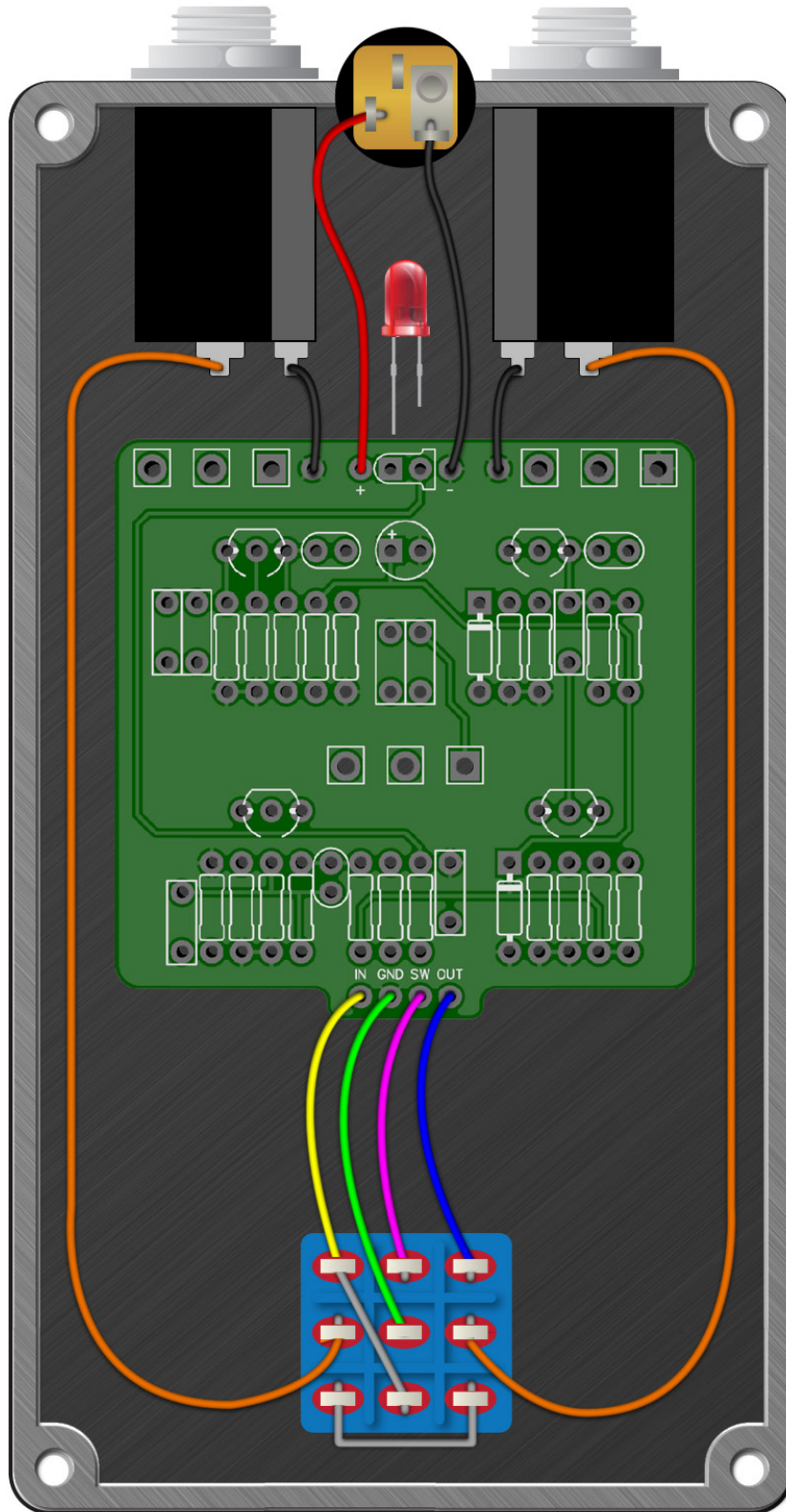
D1 3mm Red LED  
D2 3mm Red LED  
D4 1N5817  
LED Indicator LED

# Sour Grape Fuzz



# Sour Grape Fuzz

Wiring Diagram



# Sour Grape Fuzz

Drill Template  
125B enclosure with top mounted jacks

