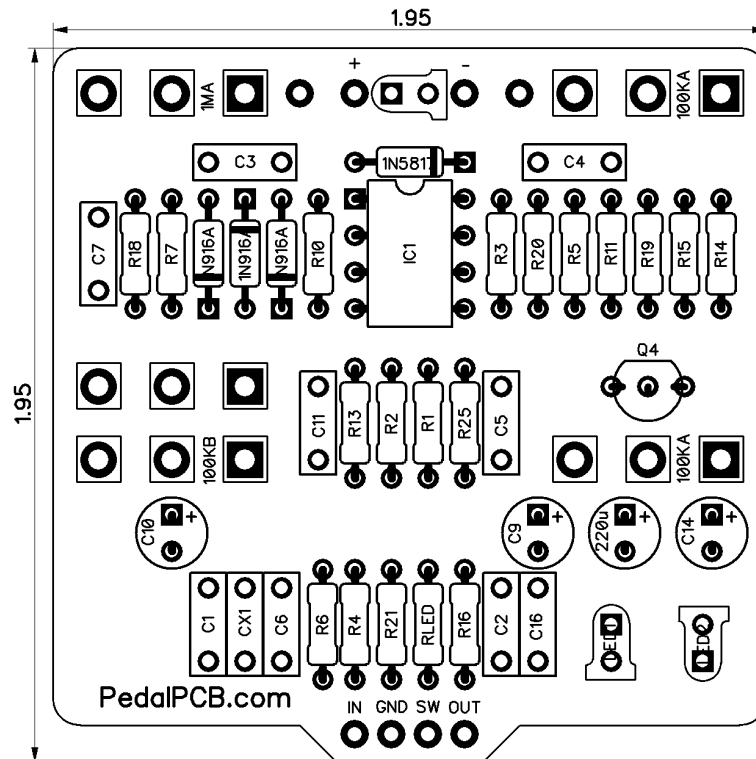




PedalPCB.com

Souldrive

Revision 10.31.17



Resistors

R1	1K
R2	100K
R3	10K
R4	2M2
R5	2M2
R6	47
R7	15K
R10	1K
R11	510K
R13	47
R14	10K
R15	100
R16	100K
R18	22K
R19	10K
R20	10K
R21	39K
R25	3K3
RLED	4.7K

Capacitors

C1	100nF
C2	10nF
C3	33pF
C4	100nF
C5	220nF
C6	22nF
C7	22nF
C9	10uF
C10	1uF
C11	100pF
C13	220uF
C14	220uF
C16	100nF
CX1	10pF

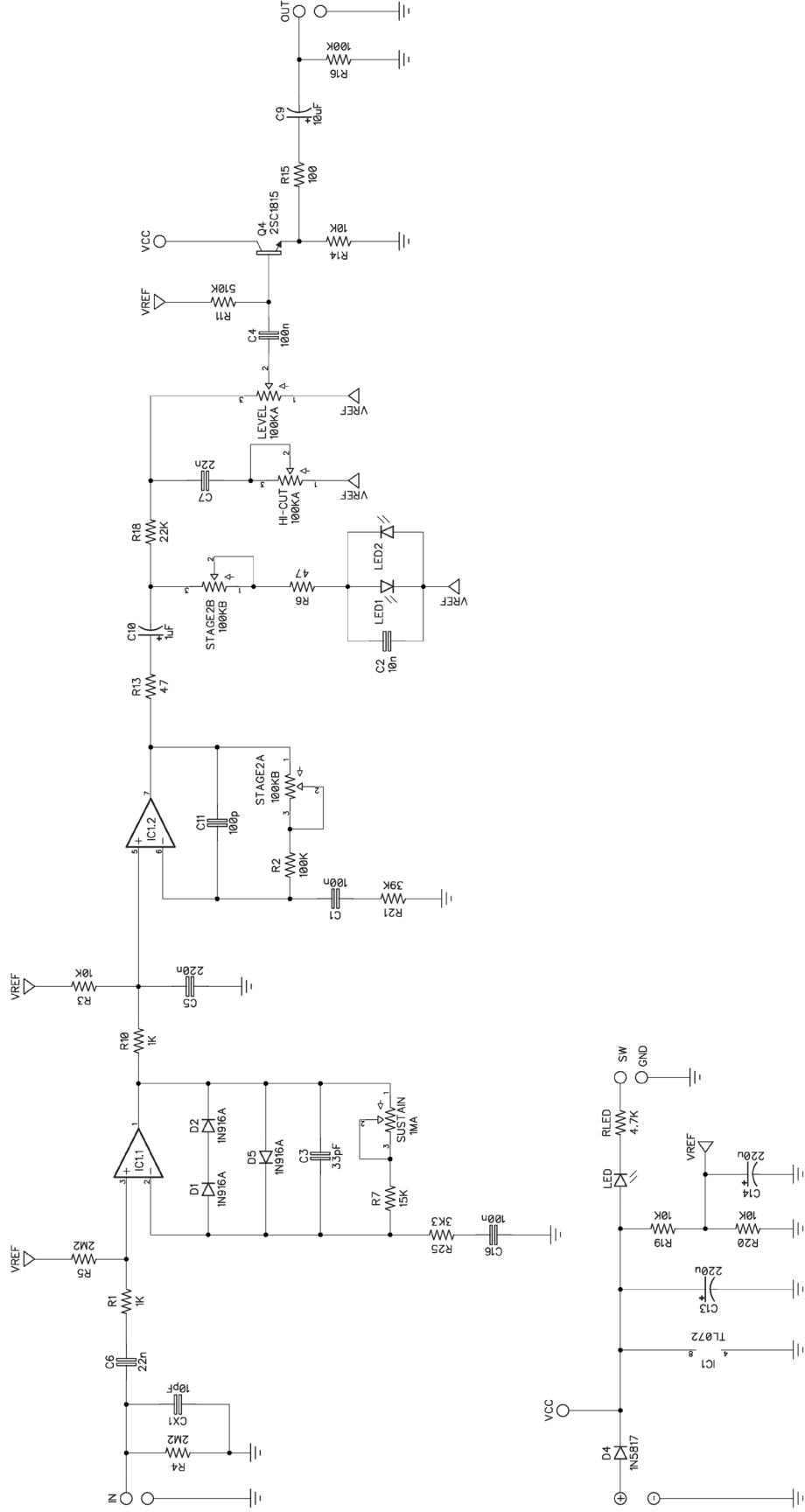
Semiconductors

IC1	TL072
Q4	2SC1815
D1	1N916A
D2	1N916A
D4	1N5817
D5	1N916A
LED1	3mm Red
LED2	3mm Red
Indicator LED	

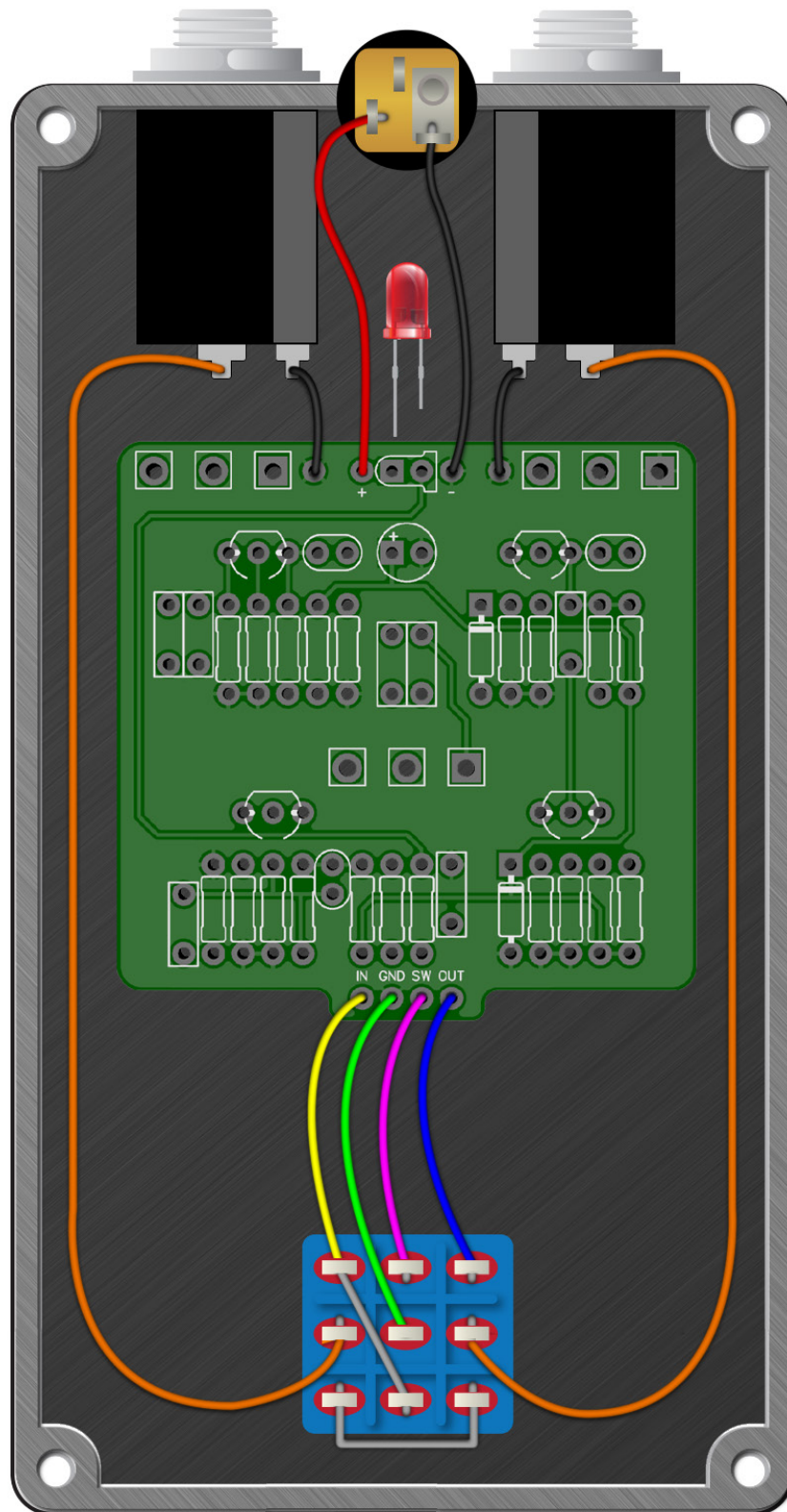
Potentiometers

LEVEL	100KA
HI-CUT	100KA
STAGE2	100KB Dual
SUSTAIN	1MA

Souldrive

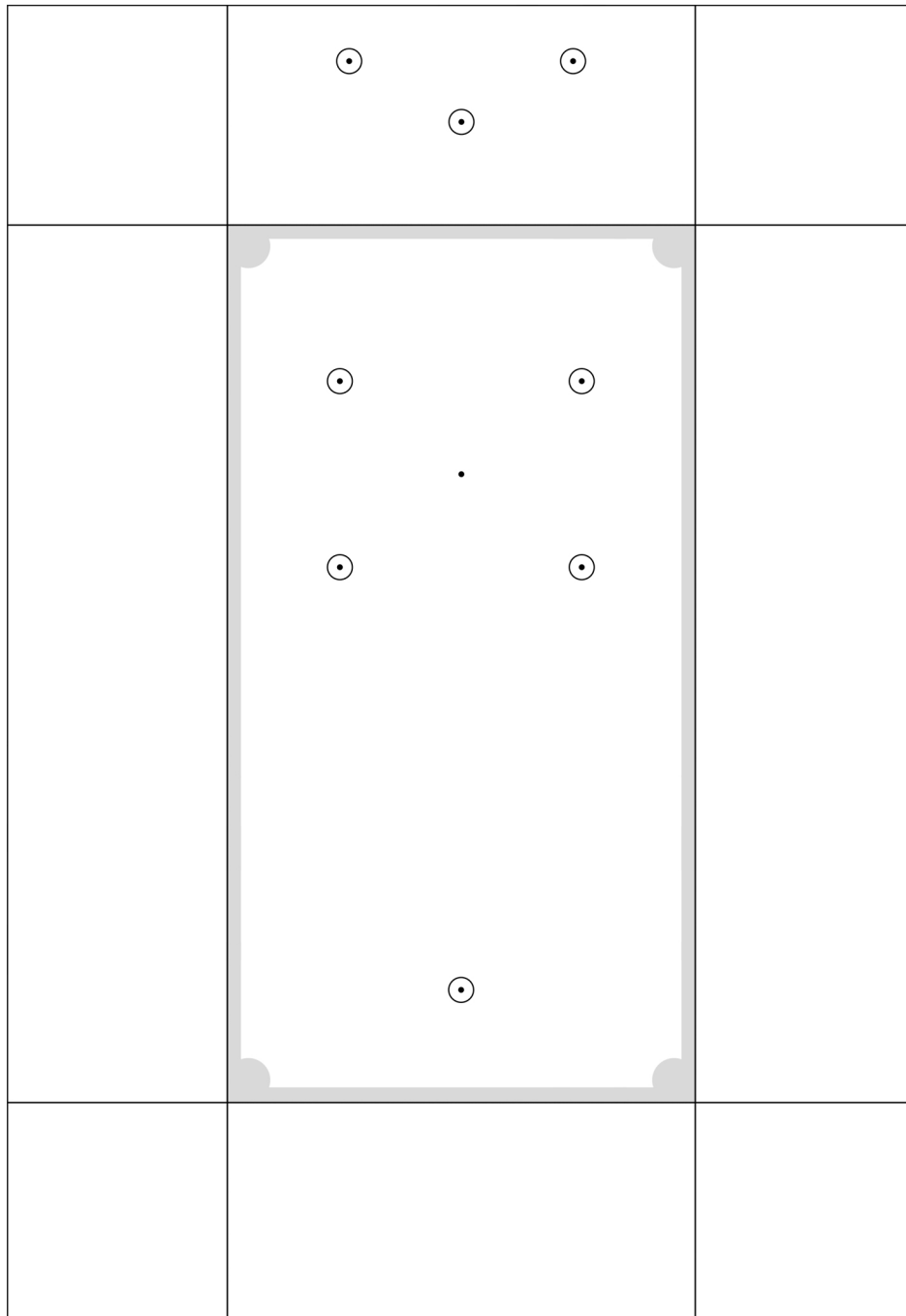


Wiring Diagram



Drill Template

4S125B enclosure with top mounted jacks



Bill of Materials

Resistors (1/4W)

2 x 47
1 x 100
2 x 1K
1 x 3K3
1 x 4.7K
4 x 10K
1 x 15K
1 x 22K
1 x 39K
2 x 100K
1 x 510K
2 x 2M2

Capacitors

1 x 10pF
1 x 33pF
1 x 100pF
1 x 10nF
2 x 22nF
3 x 100nF
1 x 220nF
1 x 1uF
1 x 10uF
2 x 220uF

Semiconductors

1 x TL072
1 x 2SC1815
3 x 1N916A
1 x 1N5817
3 x 3mm Red LED

Potentiometers

2 x 100KA
1 x 100KB Dual
1 x 1MA