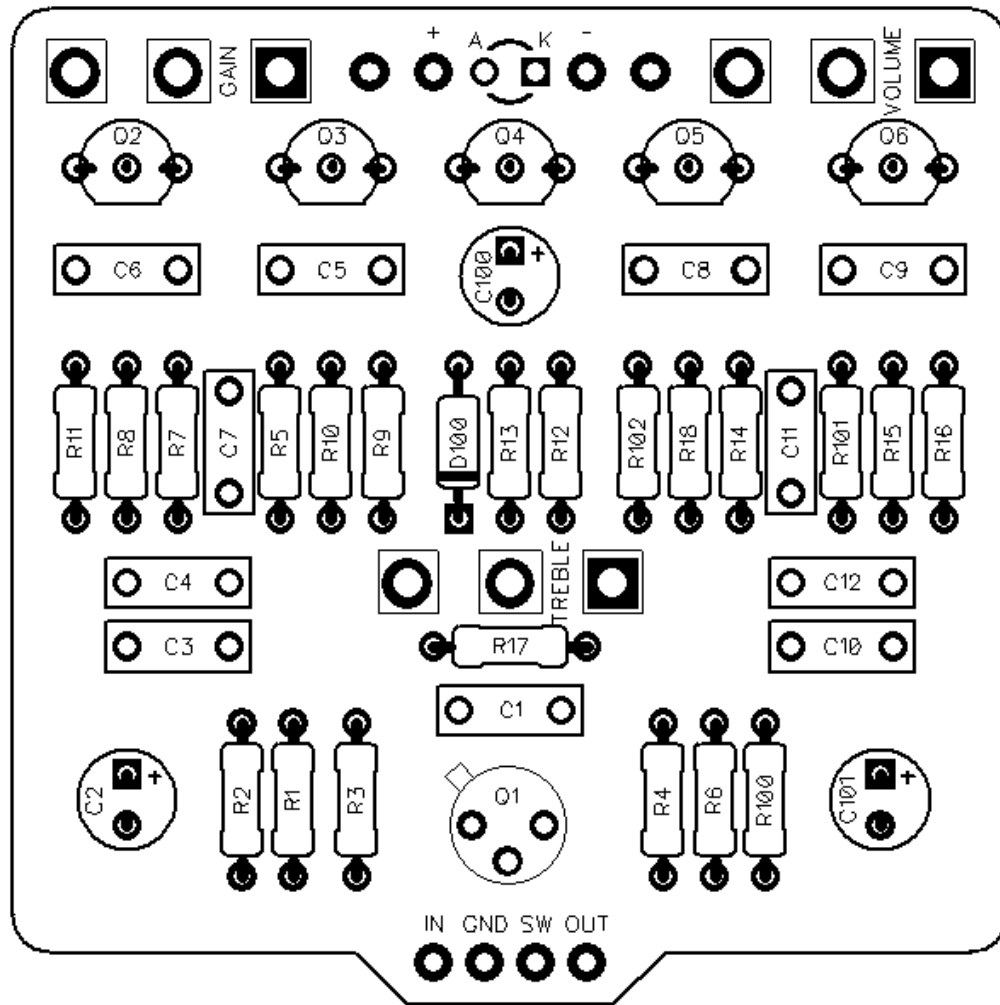


PedalPCB

Sorcerer Distortion

Revision 11.06.19



Controls

- Volume
- Gain
- Treble

All trademarks and registered trademarks are the property of their respective owners. The company, product, and service names used in this web site are for identification purposes only. Use of these names, logos, and brands does not imply endorsement.

RESISTORS (1/4W)

R1 1M
R2 10K
R3 3K9
R4 68K
R5 470K
R6 10K
R7 470K
R8 4K7
R9 470K
R10 10K
R11 100K
R12 470K
R13 4K7
R14 470K
R15 10K
R16 56K
R17 4K7
R18 470K
R100 4K7
R101 10K
R102 10K

y

CAPACITORS

C1 22n
C2 47u
C3 10n
C4 470p
C5 47n
C6 22n
C7 470p
C8 1n5
C9 47n
C10 10n
C11 3n9
C12 22n
C100 100u
C101 47u

TRANSISTORS

Q1 CV7351
Q2 J201
Q3 J201
Q4 J201
Q5 J201
Q6 J201

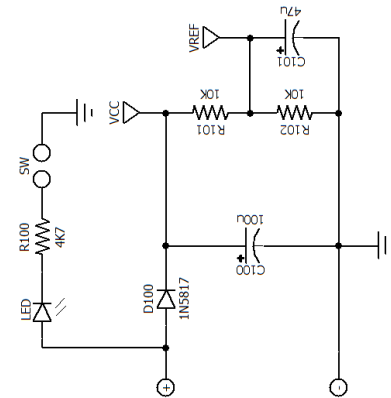
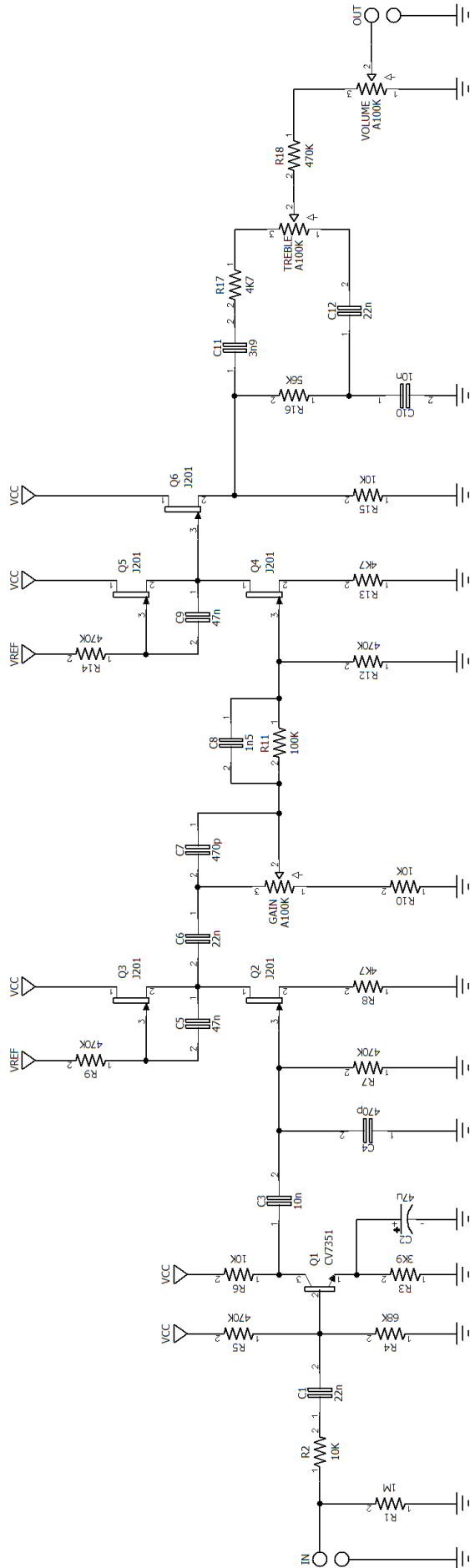
DIODES

D100 1N5817

POTENTIOMETERS

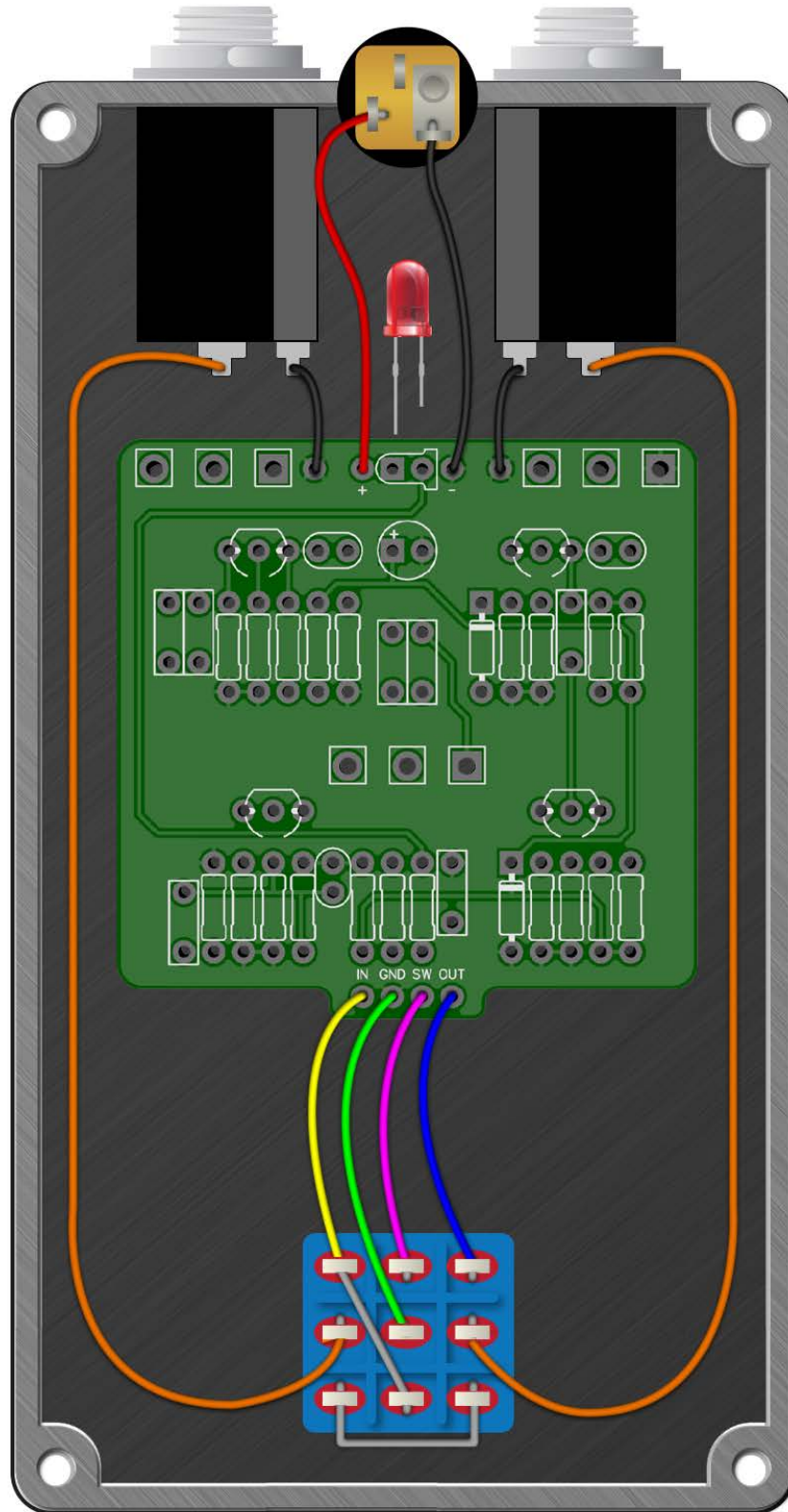
VOLUME A100K
TREBLE A100K
GAIN A100K

Sorcerer Distortion



Sorcerer Distortion

Wiring Diagram



Sorcerer Distortion

Drill Template
125B Enclosure

