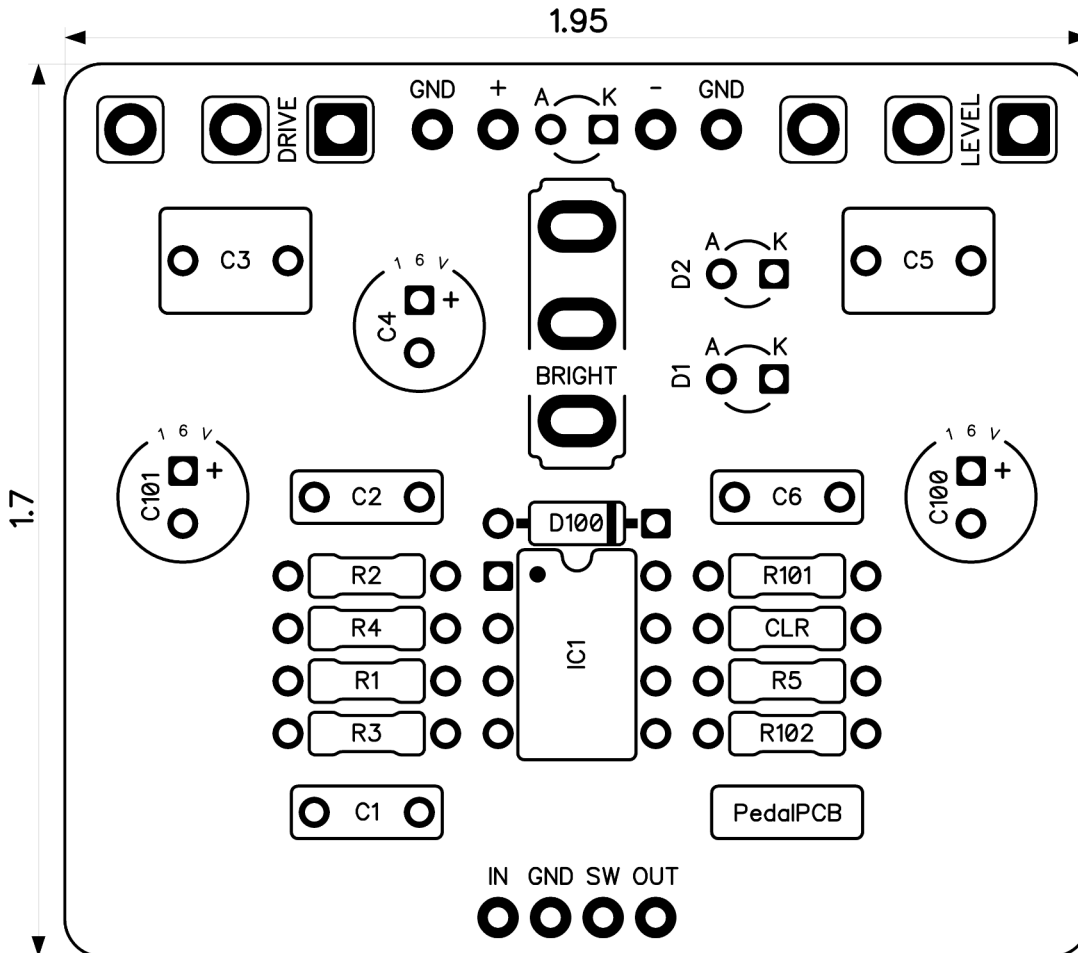


PedalPCB

Sole Proprietor Overdrive

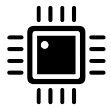
Revised 5/7/23



CONTROLS AND FEATURES

- Level
- Drive
- Bright (Toggle switch)

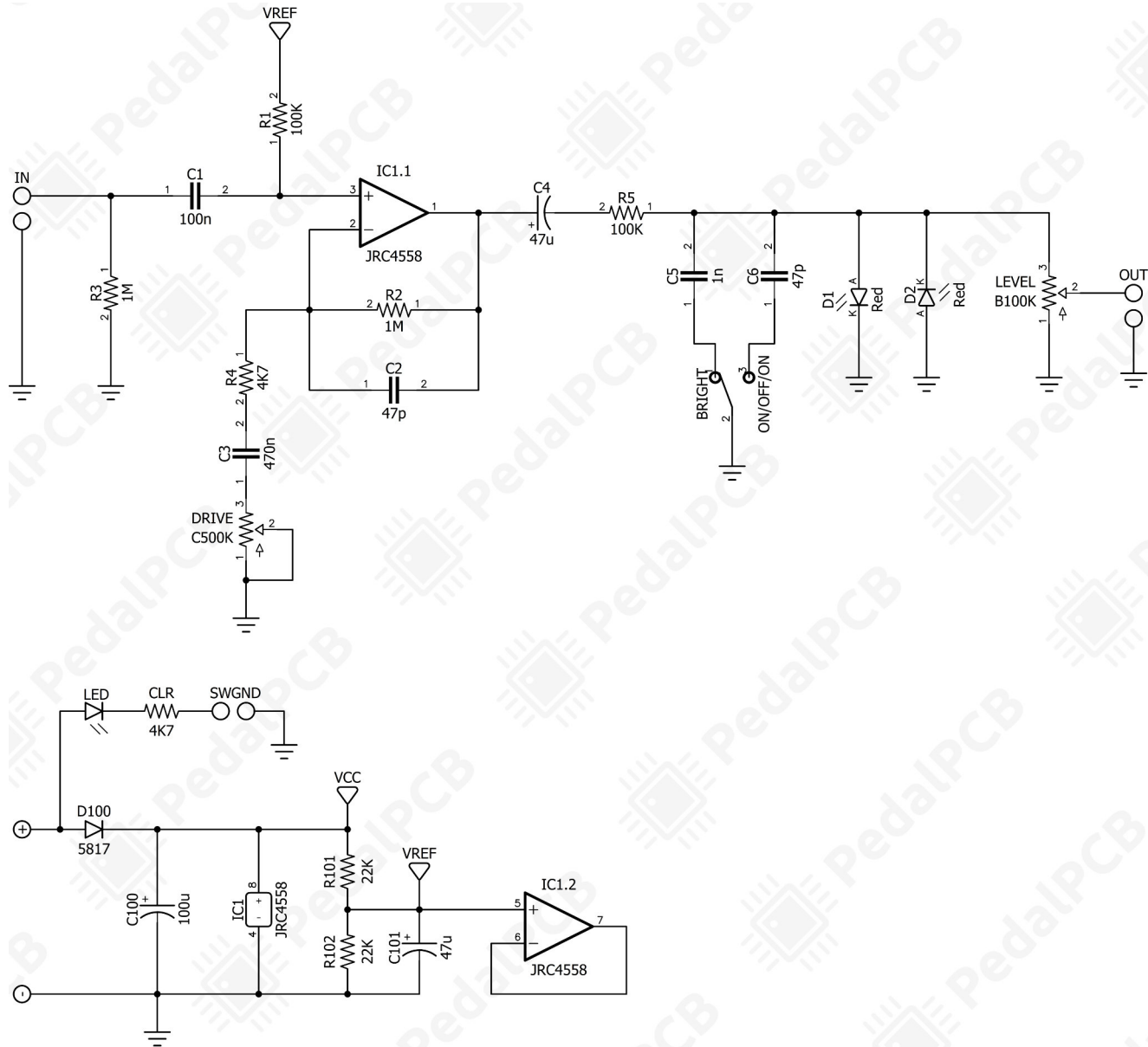
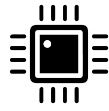
All trademarks and registered trademarks are the property of their respective owners. The company, product, and service names used in this web site are for identification purposes only. Use of these names, logos, and brands does not imply endorsement.

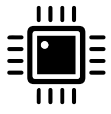


PedalPCB Sole Proprietor Overdrive

Parts List (Page 1 of 1)

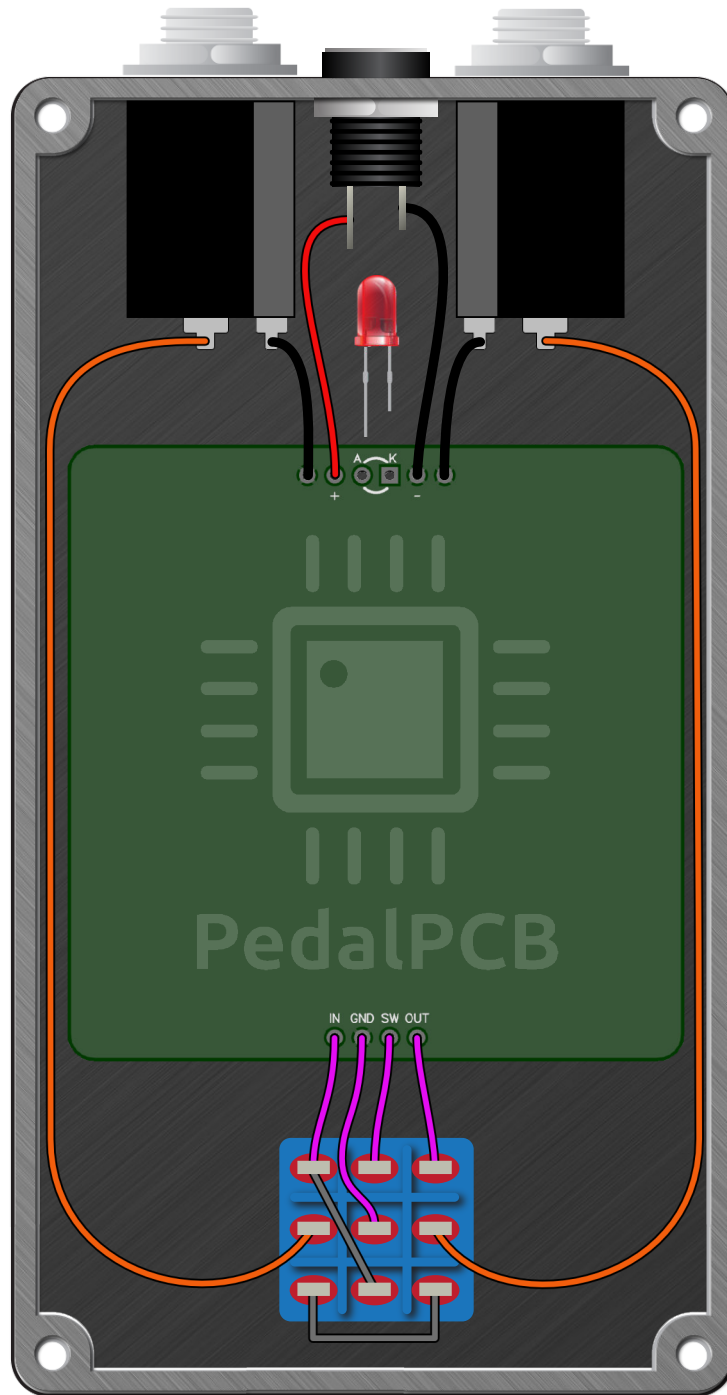
LOCATION	VALUE	TYPE	NOTES
R1	100K	Resistor, 1/4W	
R2	1M	Resistor, 1/4W	
R3	1M	Resistor, 1/4W	
R4	4K7	Resistor, 1/4W	
R5	100K	Resistor, 1/4W	
R101	22K	Resistor, 1/4W	
R102	22K	Resistor, 1/4W	
CLR	4K7	Resistor, 1/4W	* LED current limiting resistor
C1	100n	Film capacitor, 7.2 x 2.5mm	
C2	47p	Ceramic capacitor	
C3	470n	Film capacitor, 7.2 x 5.0mm	
C4	47u	Electrolytic capacitor, 5mm	
C5	1n	Film capacitor, 7.2 x 2.5mm	
C6	47p	Ceramic capacitor	
C100	100u	Electrolytic capacitor, 5mm	
C101	47u	Electrolytic capacitor, 5mm	
D1	Red	3mm Red LED, Diffused	
D2	Red	3mm Red LED, Diffused	
D100	1N5817	Schottky diode, DO-41	
IC1	JRC4558	Dual op-amp, DIP8	
LEVEL	B100K	16mm right-angle PCB mount pot	
DRIVE	C500K	16mm right-angle PCB mount pot	
BRIGHT	ON/OFF/ON	Toggle switch, SPDT	3-position (ON/OFF/ON)

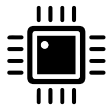




PedalPCB Sole Proprietor Overdrive

Wiring Diagram





PedalPCB Sole Proprietor Overdrive

Drill Template
125B Enclosure

