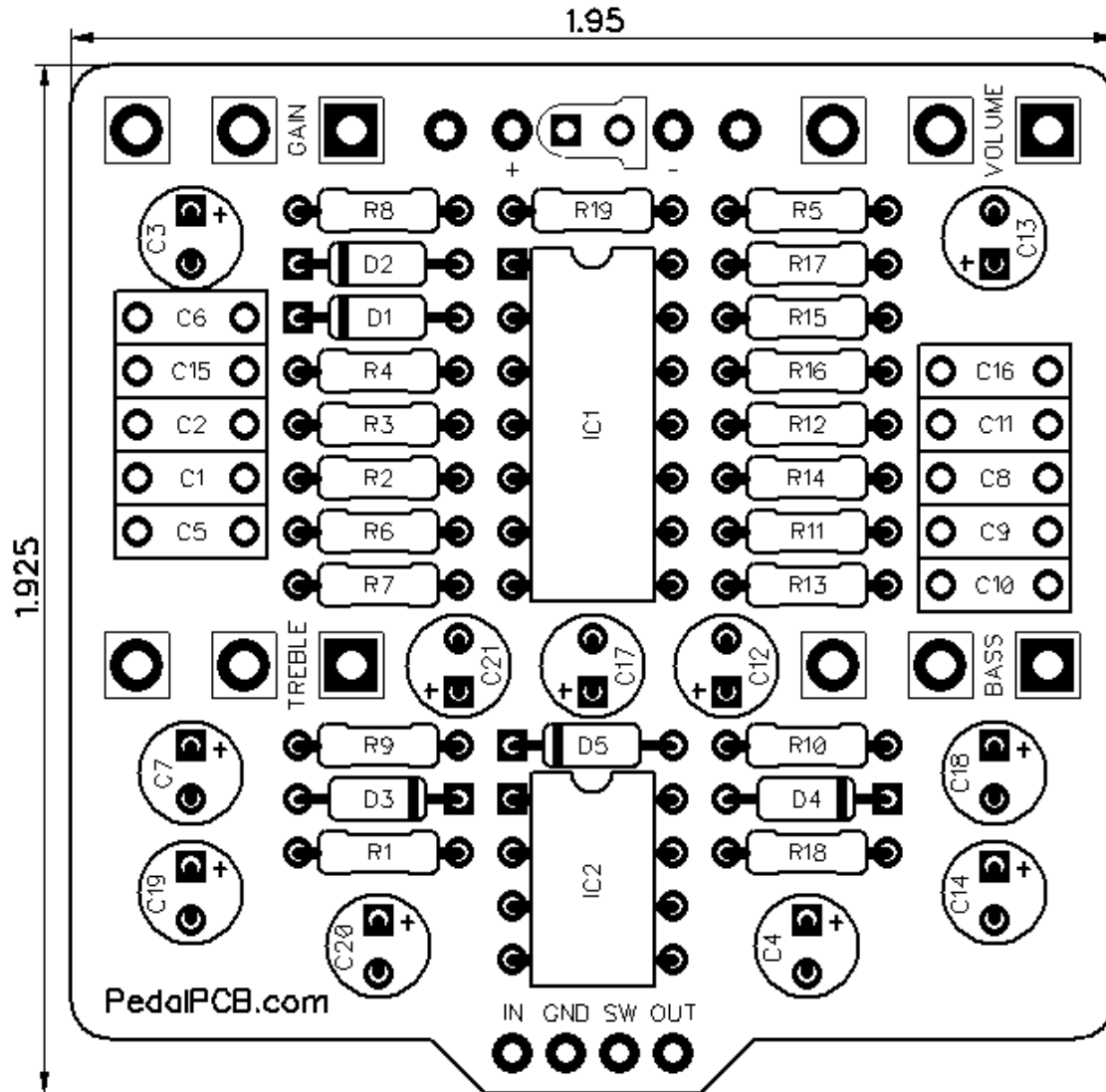




# PedalPCB

## Soldat Distortion

Revision 07.01.18



### Controls

- **Volume** - Controls the overall output volume
- **Gain** - Controls the gain of the unit
- **Treble** - Boosts or cuts treble
- **Bass** - Boosts or cuts bass

All trademarks and registered trademarks are the property of their respective owners. The company, product, and service names used in this web site are for identification purposes only. Use of these names, logos, and brands does not imply endorsement.

# Soldat Distortion

## Parts List

### RESISTORS

R1 2M2  
R2 1K  
R3 2M2  
R4 1K  
R5 120R  
R6 4K7  
R7 2k2  
R8 2K2  
R9 3K3  
R10 10K  
R11 10K  
R12 3K3  
R13 10K  
R14 1K  
R15 100K  
R16 1K  
R17 220R  
R18 10K  
R19 4K7

### CAPACITORS

C1 22n  
C2 3n3  
C3 3u3  
C4 3u3  
C5 330p  
C6 330p  
C7 2u2  
C8 10n  
C9 47n  
C10 47n  
C11 470p  
C12 2u2  
C13 2u2  
C14 10u  
C15 100n  
C16 100n  
C17 47u  
C18 1u  
C19 1u  
C20 1u  
C21 1u

### INTEGRATED CIRCUITS

IC1 TL074  
IC2 TC1044SCPA

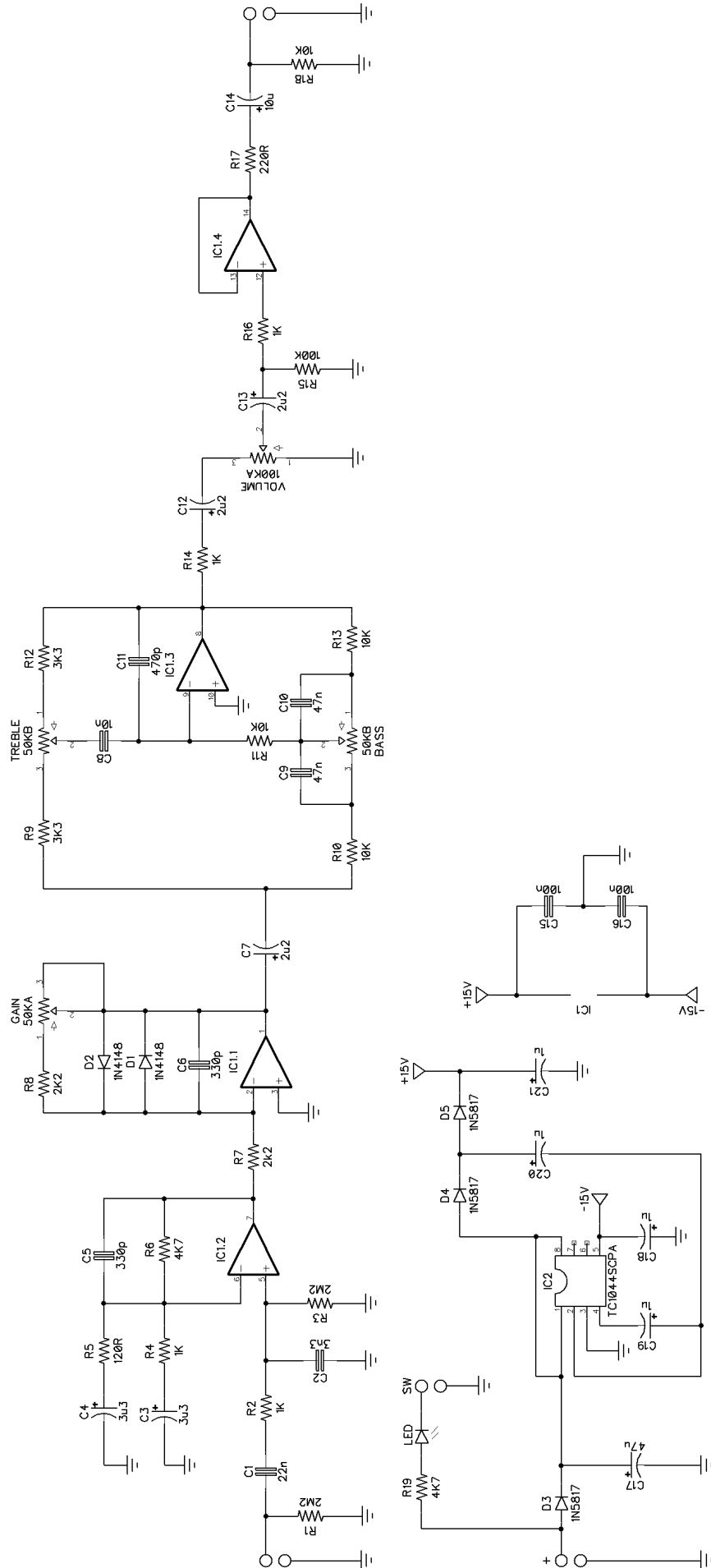
### DIODES

D1 1N4148  
D2 1N4148  
D3 1N5817  
D4 1N5817  
D5 1N5817

### POTENTIOMETERS

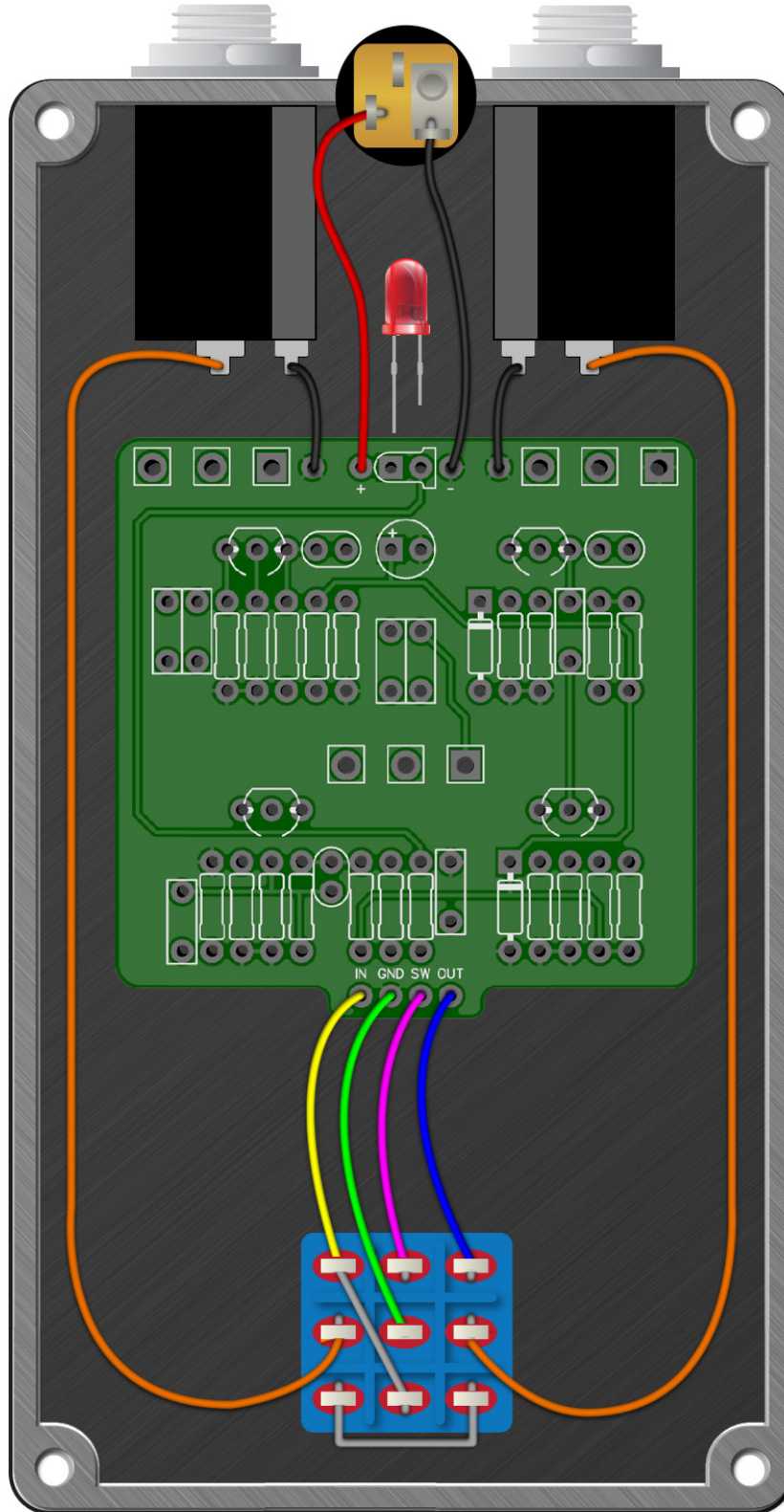
VOLUME 100KA  
GAIN 50KA  
BASS 50KB  
TREBLE 50KB

# Soldat Distortion



# Soldat Distortion

Wiring Diagram



# Soldat Distortion

Drill Template  
125B enclosure with top mounted jacks

