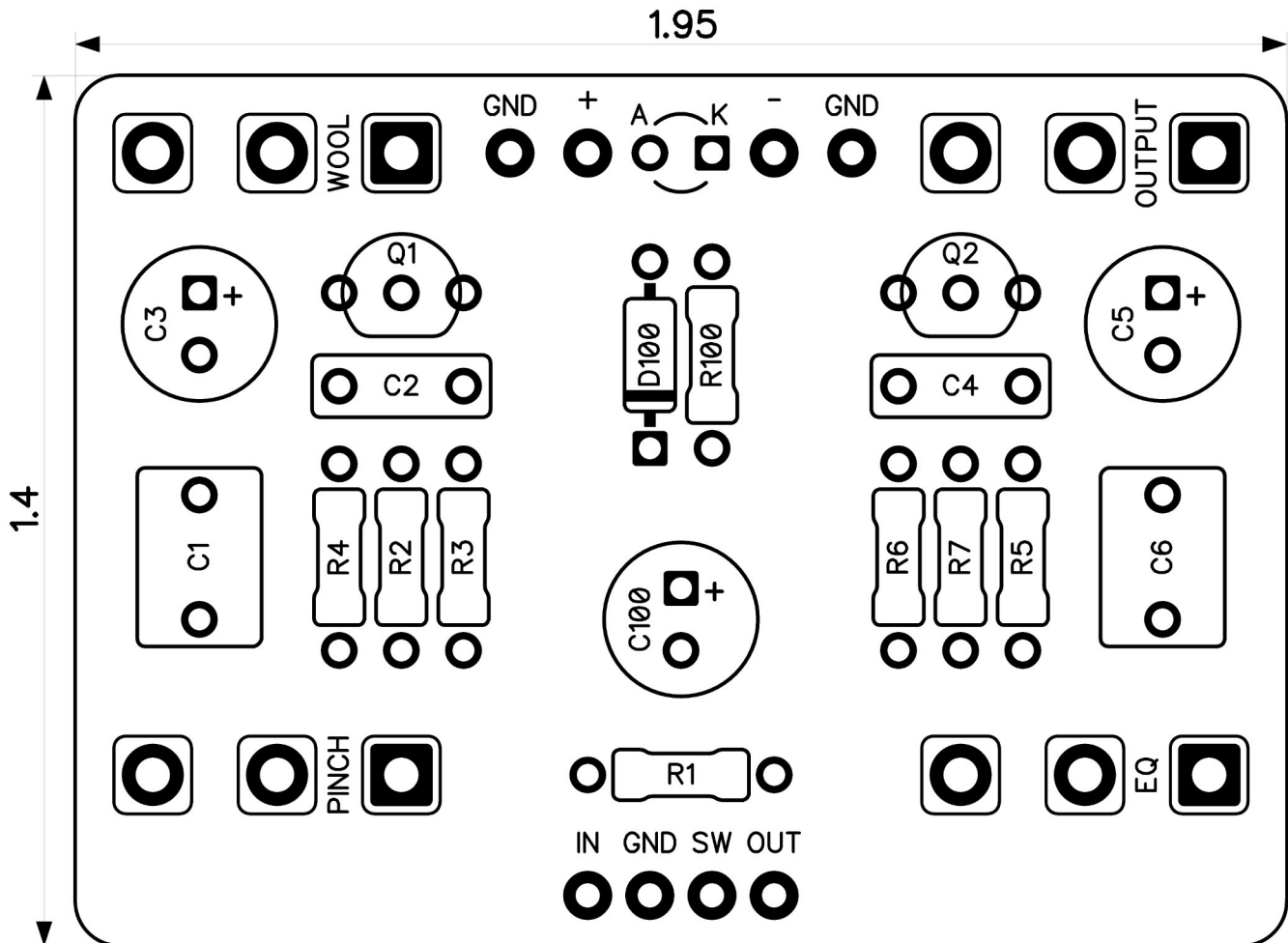




PedalPCB

Snuffy Fuzz

Revised 12/15/22



CONTROLS AND FEATURES

- Output
- Wool
- EQ
- Pinch

All trademarks and registered trademarks are the property of their respective owners. The company, product, and service names used in this web site are for identification purposes only. Use of these names, logos, and brands does not imply endorsement.

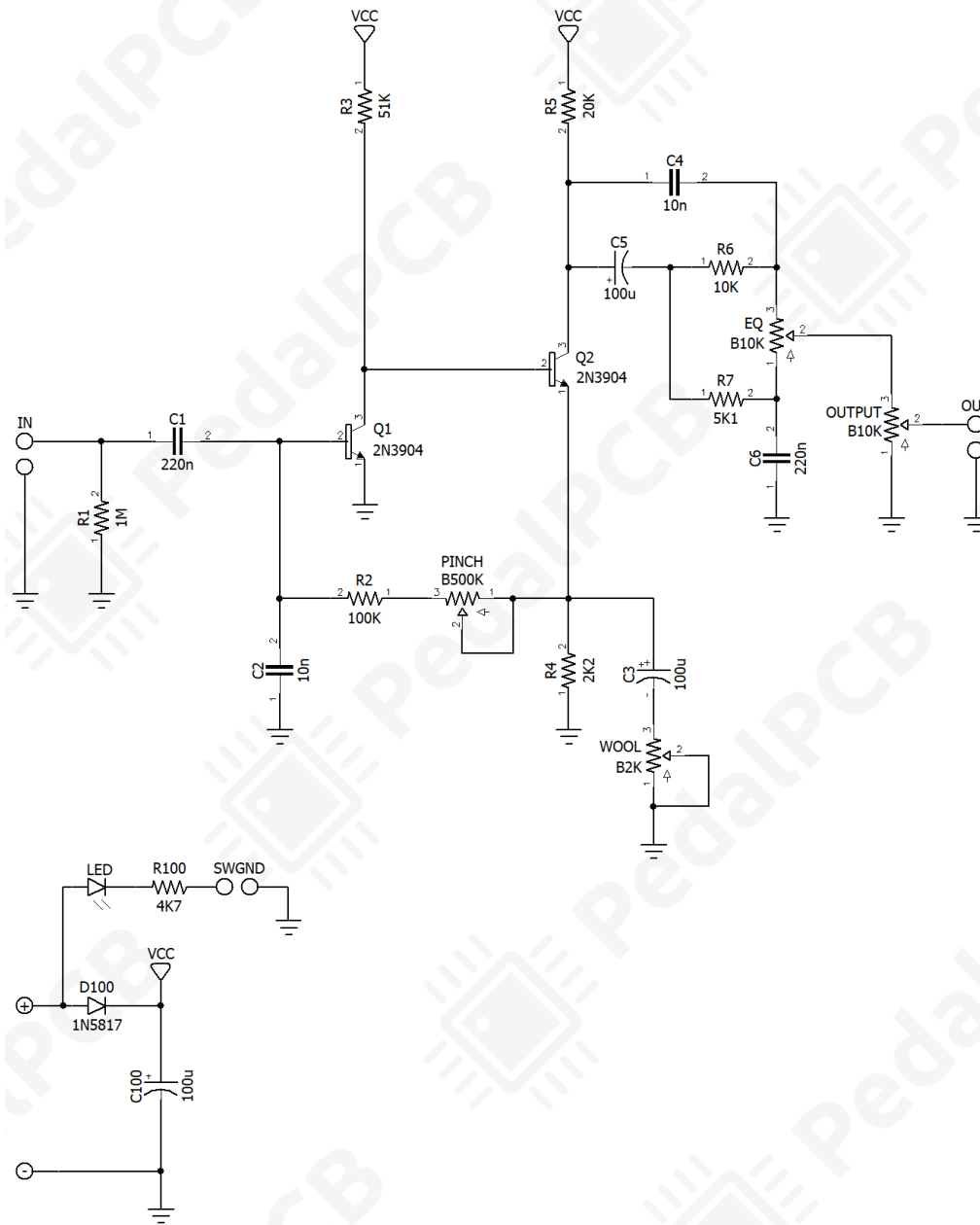
Snuffy Fuzz

Parts List (Page 1 of 1)

LOCATION	VALUE	TYPE	NOTES
R1	1M	Resistor, 1/4W	
R2	100K	Resistor, 1/4W	
R3	51K	Resistor, 1/4W	
R4	2K2	Resistor, 1/4W	
R5	20K	Resistor, 1/4W	
R6	10K	Resistor, 1/4W	
R7	5K1	Resistor, 1/4W	
R100	4K7	Resistor, 1/4W	* LED current limiting resistor
C1	220n	Film capacitor, 7.2 x 5.0mm	
C2	10n	Film capacitor, 7.2 x 2.5mm	
C3	100u	Electrolytic capacitor, 6.3mm	
C4	10n	Film capacitor, 7.2 x 2.5mm	
C5	100u	Electrolytic capacitor, 6.3mm	
C6	220n	Film capacitor, 7.2 x 5.0mm	
C100	100u	Electrolytic capacitor, 6.3mm	
D100	1N5817	Schottky diode, DO-41	
Q1	2N3904	BJT transistor, NPN TO-92	
Q2	2N3904	BJT transistor, NPN TO-92	
OUTPUT	B10K	16mm right-angle PCB mount pot	
WOOL	B2K	16mm right-angle PCB mount pot	
EQ	B10K	16mm right-angle PCB mount pot	
PINCH	B500K	16mm right-angle PCB mount pot	

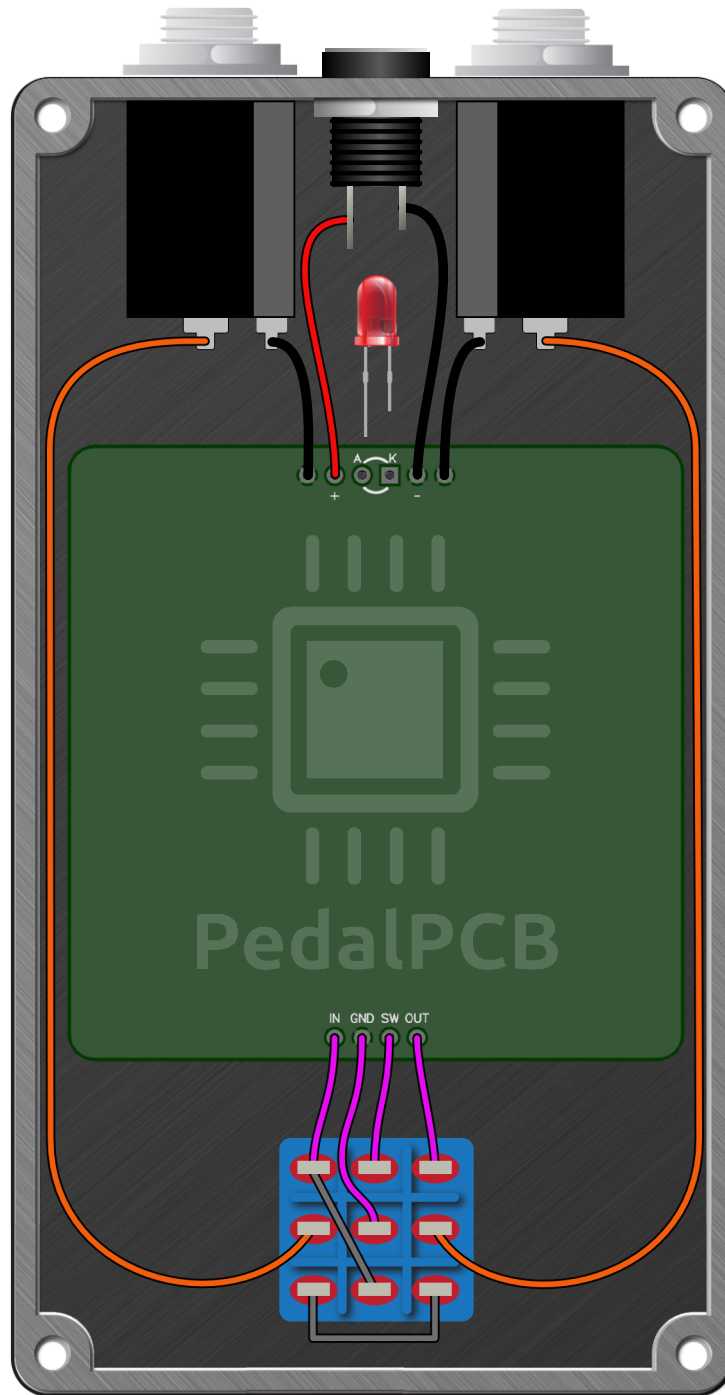
Snuffy Fuzz

Schematic Diagram



Snuffy Fuzz

Wiring Diagram



Snuffy Fuzz

Drill Template
125B Enclosure

